



Chipsmall Limited consists of a professional team with an average of over 10 year of expertise in the distribution of electronic components. Based in Hongkong, we have already established firm and mutual-benefit business relationships with customers from,Europe,America and south Asia,supplying obsolete and hard-to-find components to meet their specific needs.

With the principle of “Quality Parts,Customers Priority,Honest Operation,and Considerate Service”,our business mainly focus on the distribution of electronic components. Line cards we deal with include Microchip,ALPS,ROHM,Xilinx,Pulse,ON,Everlight and Freescale. Main products comprise IC,Modules,Potentiometer,IC Socket,Relay,Connector.Our parts cover such applications as commercial,industrial, and automotives areas.

We are looking forward to setting up business relationship with you and hope to provide you with the best service and solution. Let us make a better world for our industry!



## Contact us

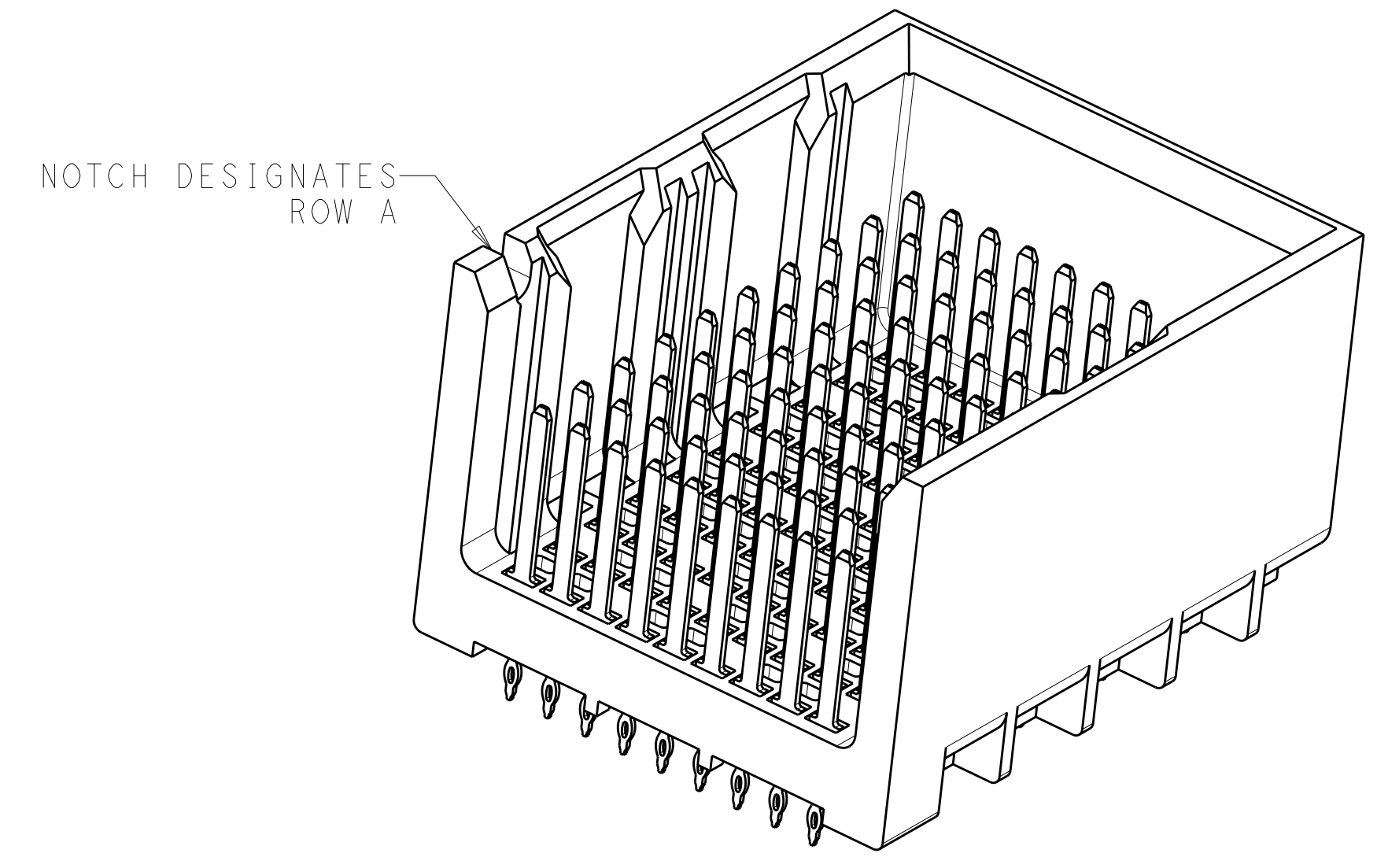
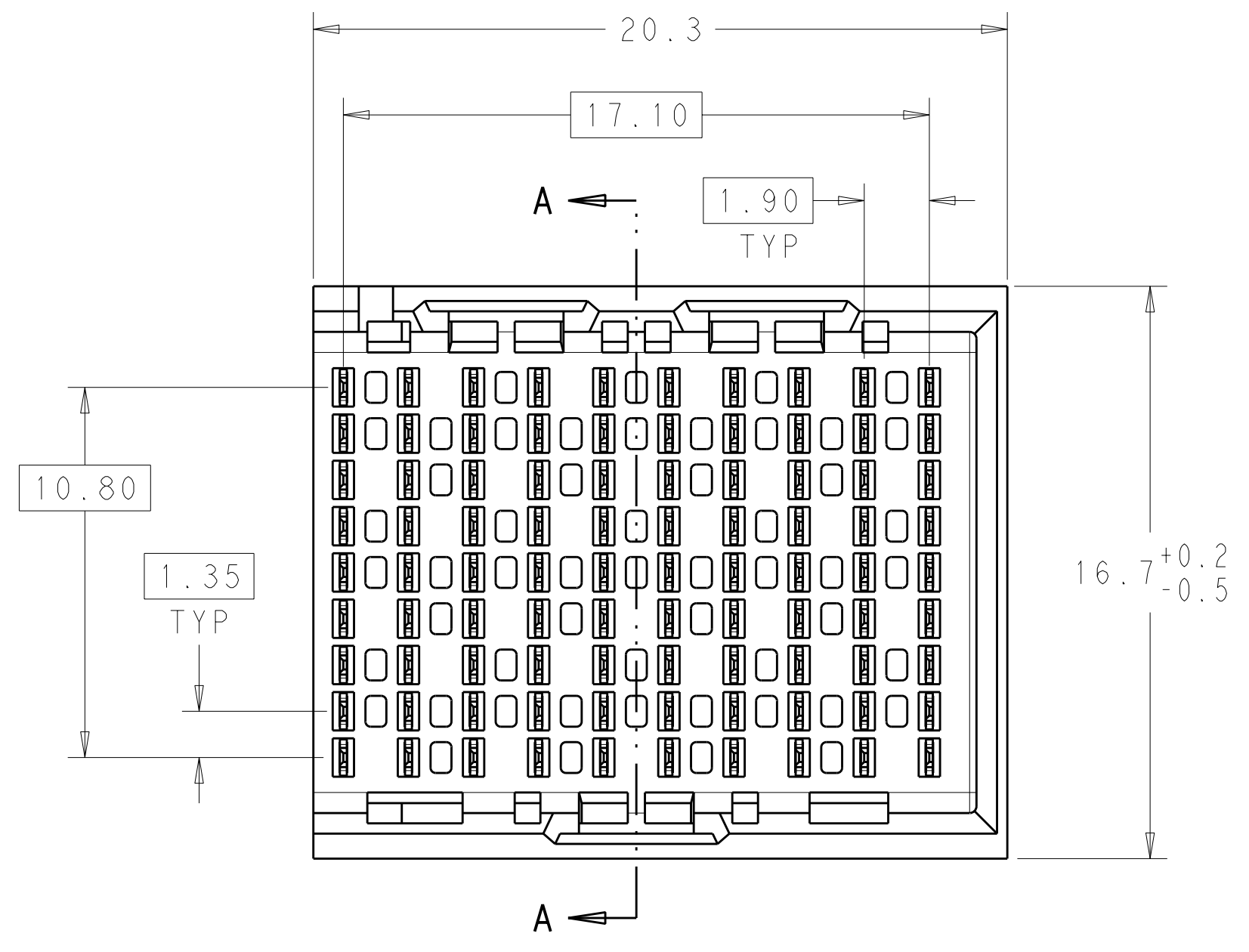
Tel: +86-755-8981 8866 Fax: +86-755-8427 6832

Email & Skype: info@chipsmall.com Web: www.chipsmall.com

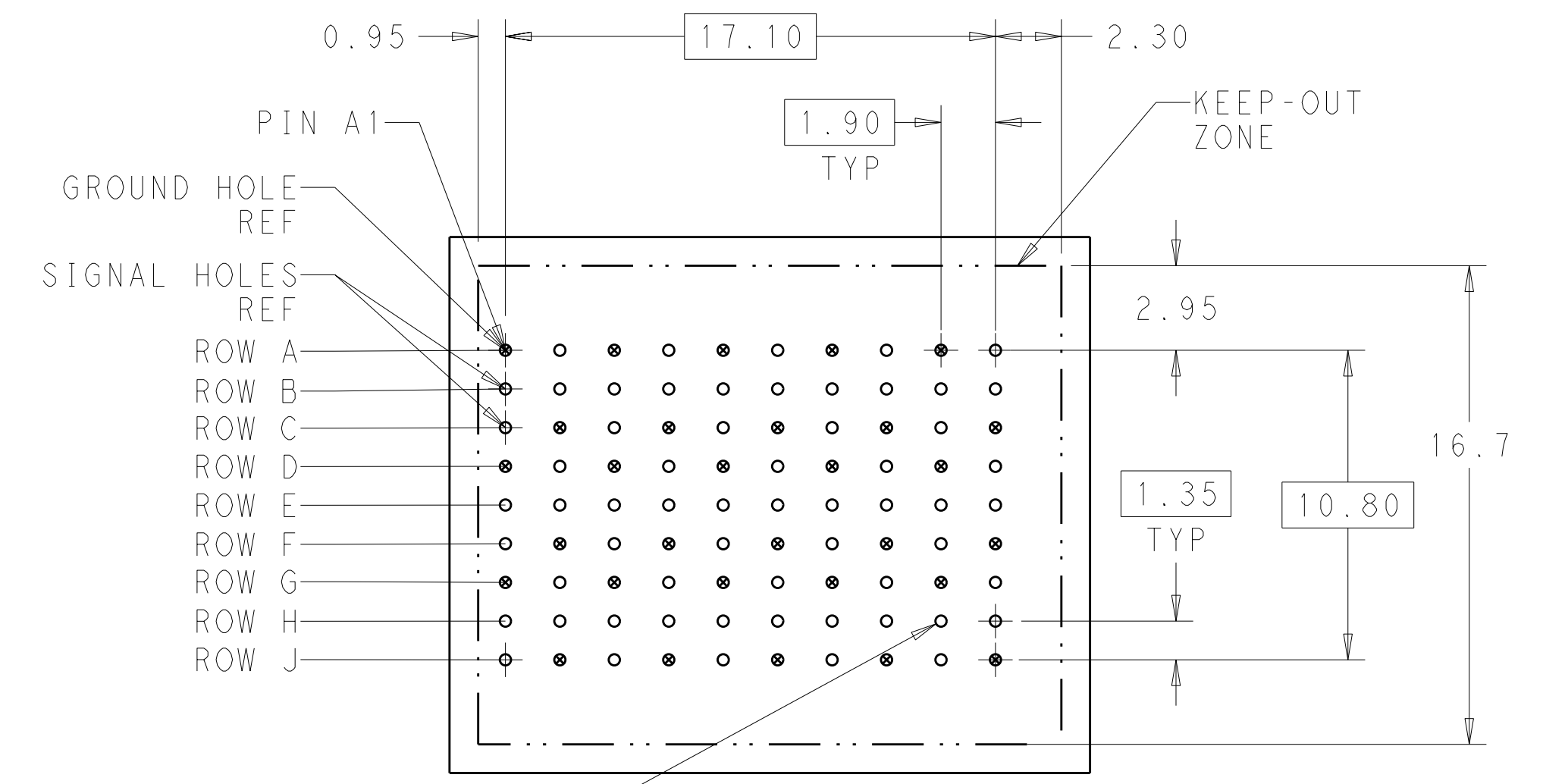
Address: A1208, Overseas Decoration Building, #122 Zhenhua RD., Futian, Shenzhen, China



LOC	DIST	REV	DATE	BY	APPD
AD	00	B	22DEC11	KH	DY
		REVISIONS			
		DESCRIPTION	DATE	DWN	APPD
		B	REVISD PER ECO-11-025276	22DEC11	KH

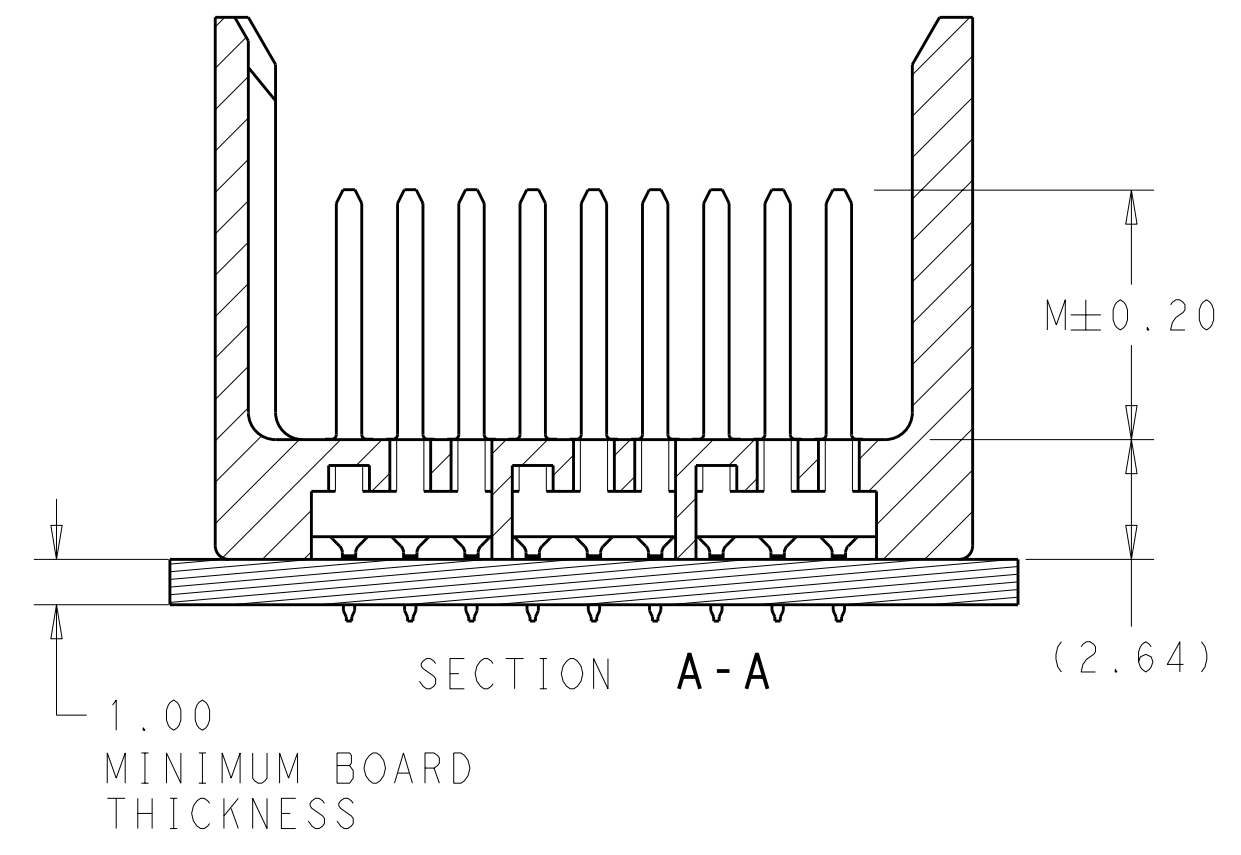
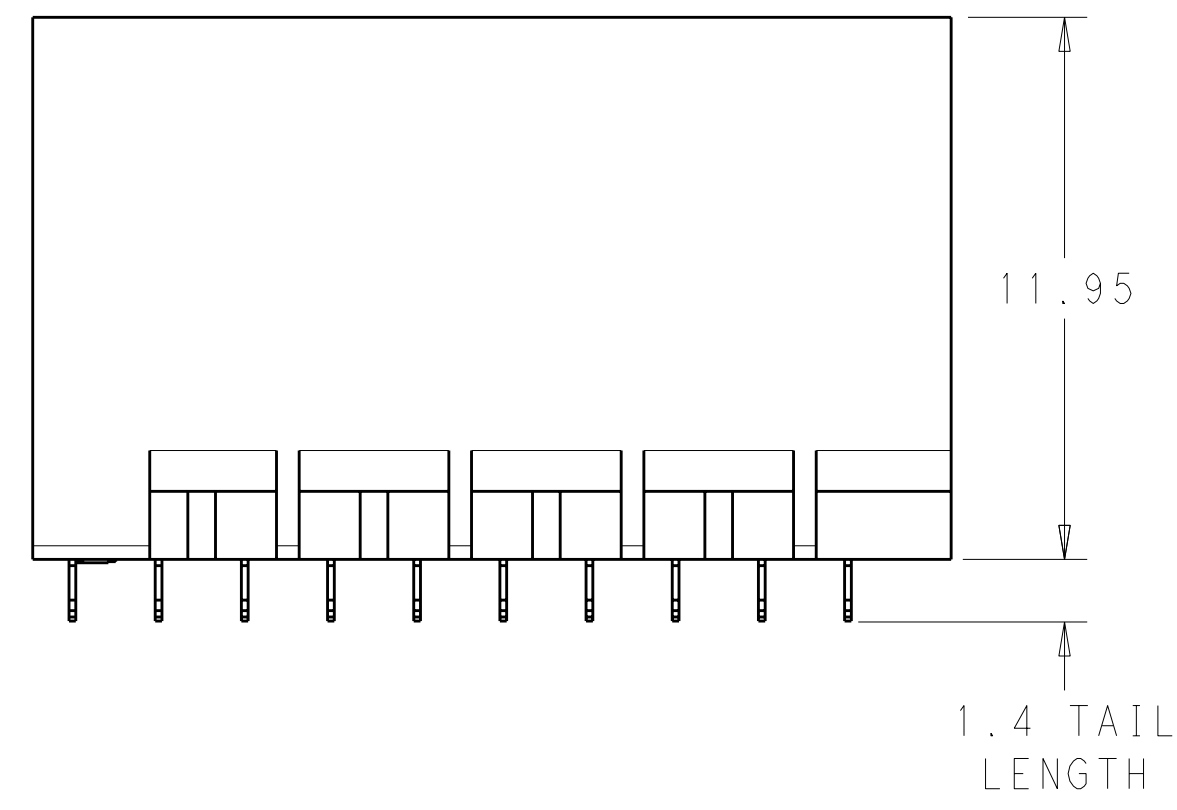


- 1 MATERIAL:  
HOUSING: LCP, GLASS FILLED, UL94V-0.  
TERMINALS: HIGH PERFORMANCE COPPER ALLOY.
- 2 FINISH:  
30µ" MIN GOLD IN CONTACT AREA. SELECTIVE TIN  
ON PCB TAILS, NICKEL OVERALL.
- 3 FINISH:  
30µ" MIN GOLD IN CONTACT AREA. SELECTIVE TIN-LEAD  
ON PCB TAILS, NICKEL OVERALL.



90X  $\varnothing 0.39 \pm 0.05$   
 $\varnothing 0.10$   
 PLATED THRU HOLE

UNGUIDED  
 BACKPLANE HOLE PATTERN  
 (CONNECTOR SIDE)




THIS DRAWING IS A CONTROLLED DOCUMENT.		DWN J. K. SHOBER 21DEC2010	TE Connectivity
DIMENSIONS: mm		CHK J. EARY 21DEC2010	
TOLERANCES UNLESS OTHERWISE SPECIFIED:		APVD J. EARY 21DEC2010	NAME IMPACT, 3 PAIR, 10 COLUMN, HEADER
9 PLC ±		PRODUCT SPEC	UNGUIDED, RIGHT END WALL
1 PLC ±0.25		APPLICATION SPEC	SIGNAL MODULE, 0.39 PTH
2 PLC ±0.13		SIZE CAGE CODE DRAWING NO	RESTRICTED TO
3 PLC ±		WEIGHT	A100779C=2007791
4 PLC ±		CUSTOMER DRAWING	SCALE 6:1 SHEET 1 OF 2 REV B
ANGLES ±			
FINISH SEE TABLE			

THIS DRAWING IS UNPUBLISHED. RELEASED FOR PUBLICATION 20  
 © COPYRIGHT 20 . . . ALL RIGHTS RESERVED.

LOC	DIST	REVISIONS				
		P	LTG	DATE	DWN	APVD
AD	00	-	-	SEE SHEET 1	-	-

$\triangle$ <sub>3</sub>	5.5	2007791-6
$\triangle$ <sub>3</sub>	4.9	2007791-5
$\triangle$ <sub>3</sub>	4.5	2007791-4
$\triangle$ <sub>2</sub>	5.5	2007791-3
$\triangle$ <sub>2</sub>	4.9	2007791-2
$\triangle$ <sub>2</sub>	4.5	2007791-1
FINISH	DIM M	PART NUMBER

REFER TO WWW.TE.COM  
FOR PRODUCT AVAILABILITY

THIS DRAWING IS A CONTROLLED DOCUMENT.		DWN J. K. SHOBER 21DEC2010		
		CHK J. EARY 21DEC2010		
DIMENSIONS:		TOLERANCES UNLESS OTHERWISE SPECIFIED:		NAME
mm	9 PLC ± 7 PLC ±0.25 5 PLC ±0.13 4 PLC ± ANGLES ±	PRODUCT SPEC		IMPACT, 3 PAIR, 10 COLUMN, HEADER
MATERIAL		FINISH		UNGUIDED, RIGHT END WALL
-		SEE TABLE		SIGNAL MODULE, 0.39 PTH
		WEIGHT		SIZE CAGE CODE DRAWING NO
		CUSTOMER DRAWING		A100779C=2007791
		SCALE		RESTRICTED TO
		5:1		2 OF 2 REV B