



Chipsmall Limited consists of a professional team with an average of over 10 year of expertise in the distribution of electronic components. Based in Hongkong, we have already established firm and mutual-benefit business relationships with customers from,Europe,America and south Asia,supplying obsolete and hard-to-find components to meet their specific needs.

With the principle of "Quality Parts,Customers Priority,Honest Operation,and Considerate Service",our business mainly focus on the distribution of electronic components. Line cards we deal with include Microchip,ALPS,ROHM,Xilinx,Pulse,ON,Everlight and Freescale. Main products comprise IC,Modules,Potentiometer,IC Socket,Relay,Connector.Our parts cover such applications as commercial,industrial, and automotives areas.

We are looking forward to setting up business relationship with you and hope to provide you with the best service and solution. Let us make a better world for our industry!



## Contact us

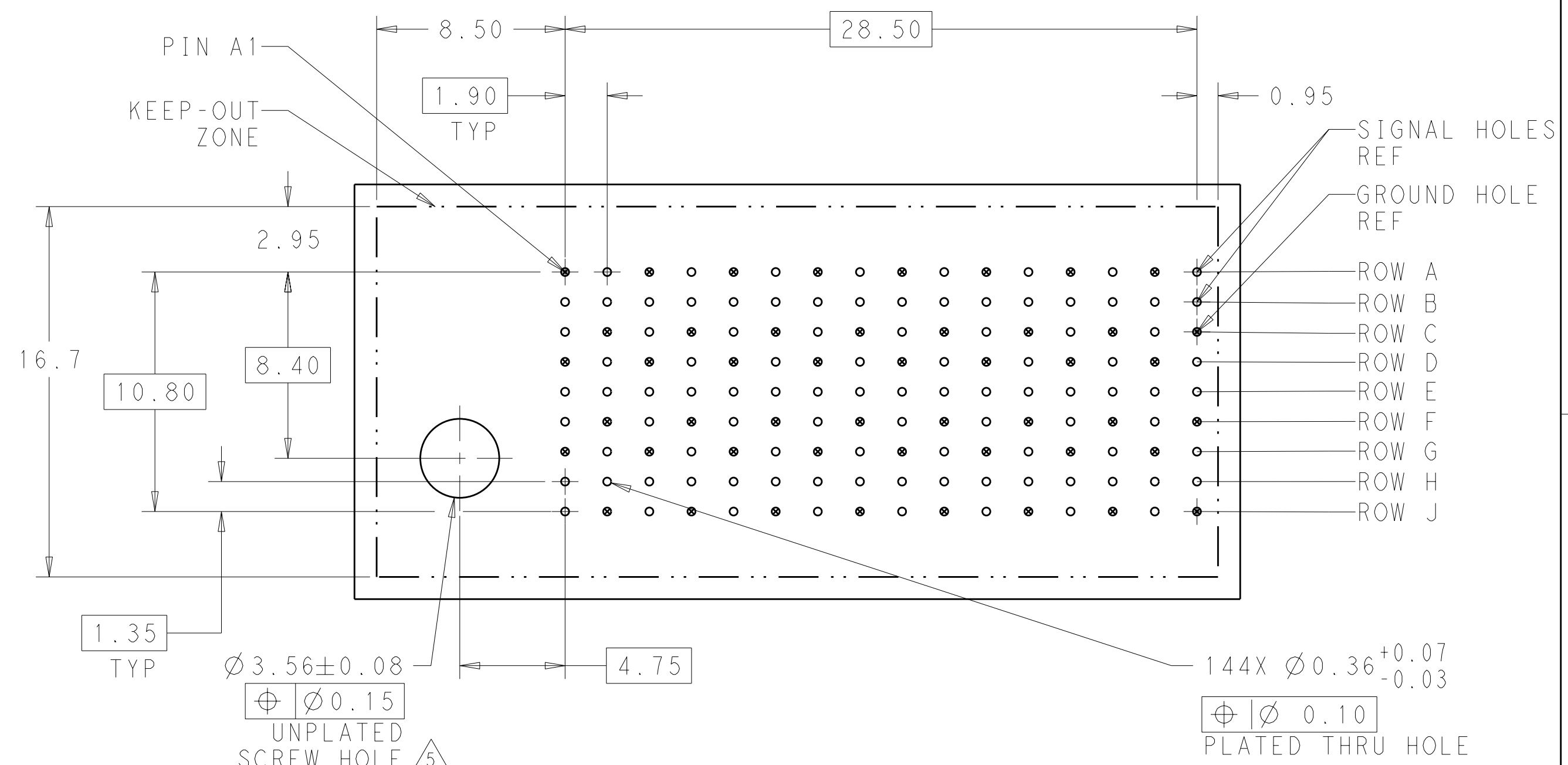
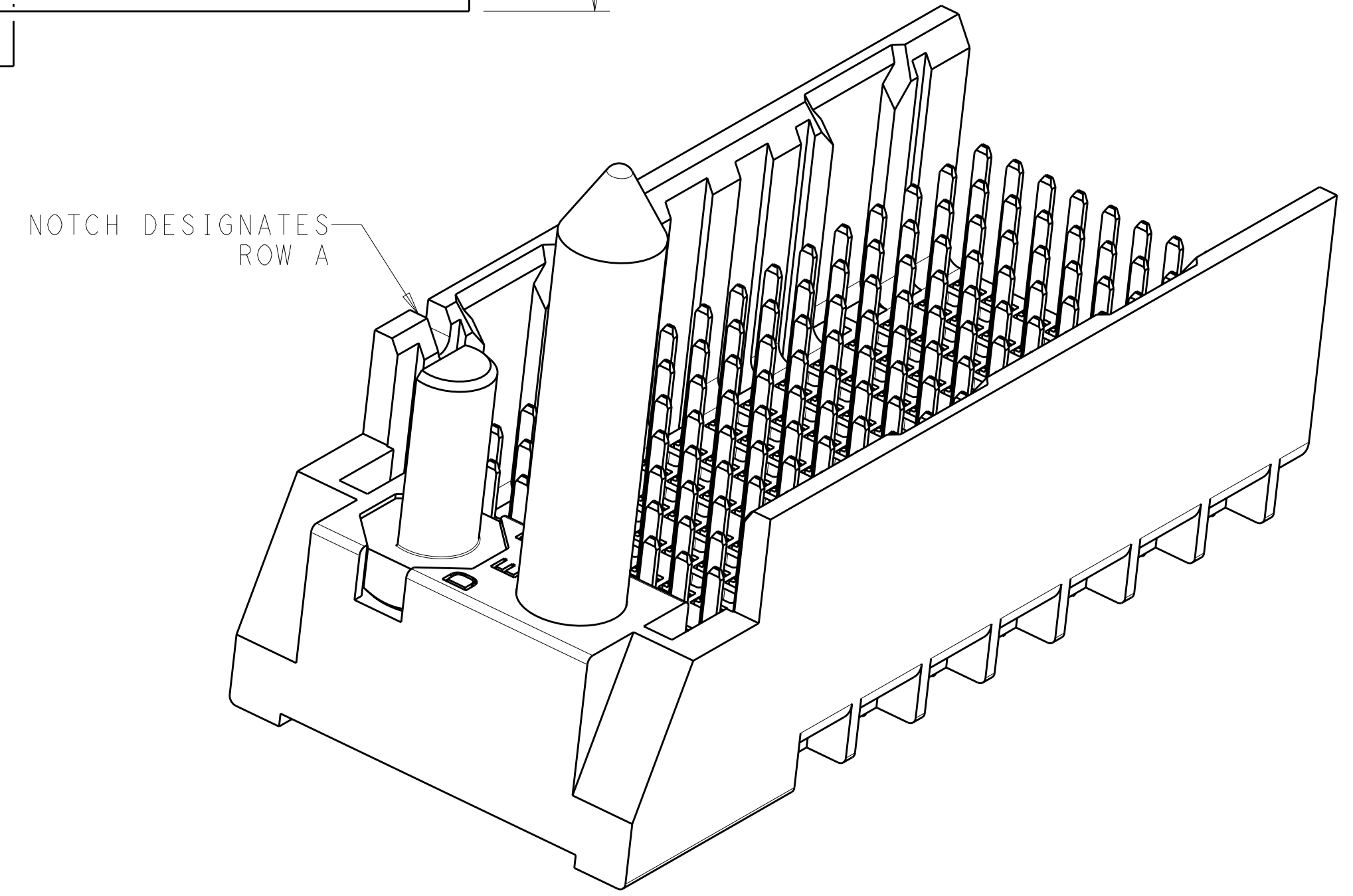
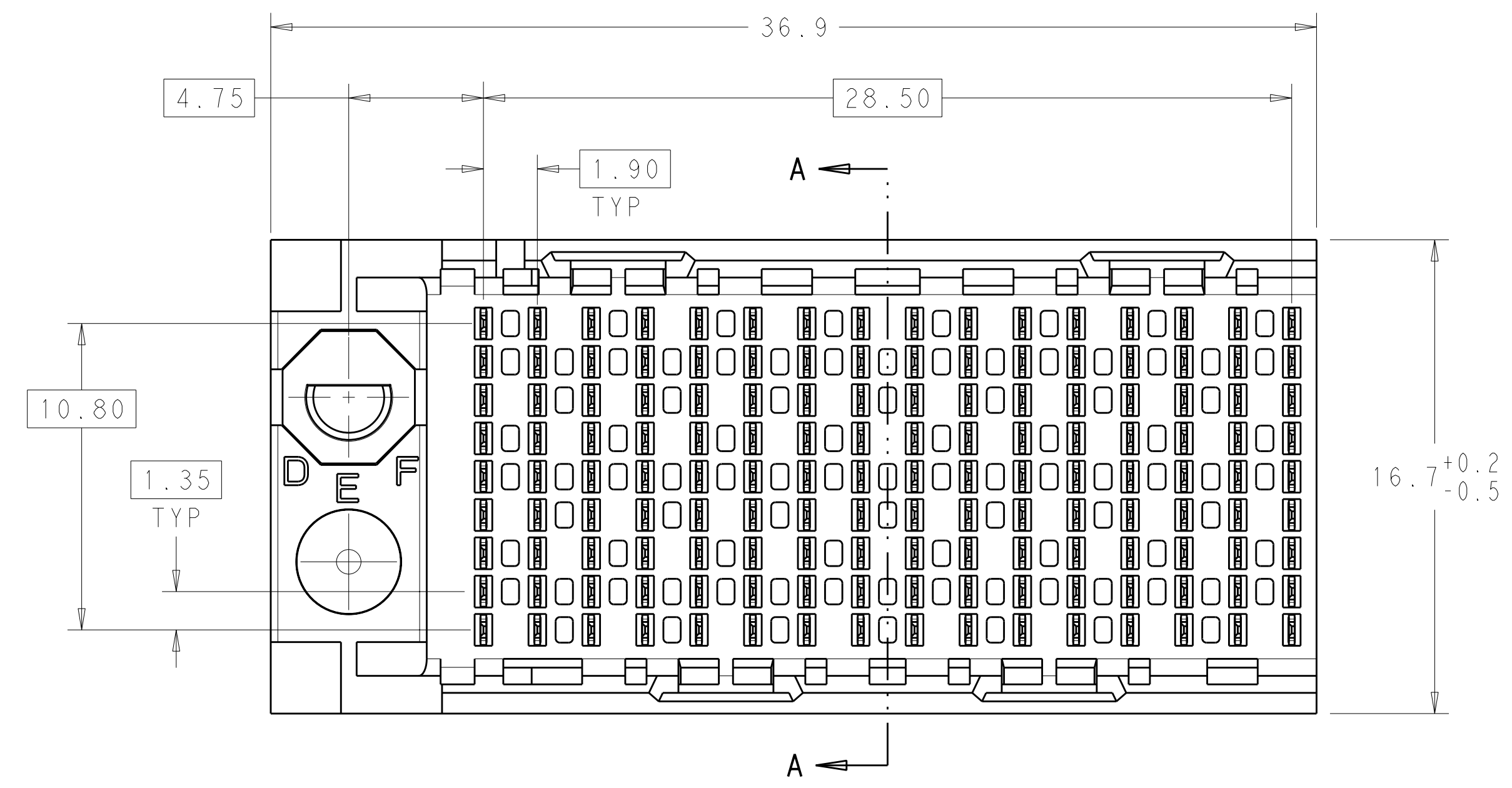
Tel: +86-755-8981 8866 Fax: +86-755-8427 6832

Email & Skype: info@chipsmall.com Web: www.chipsmall.com

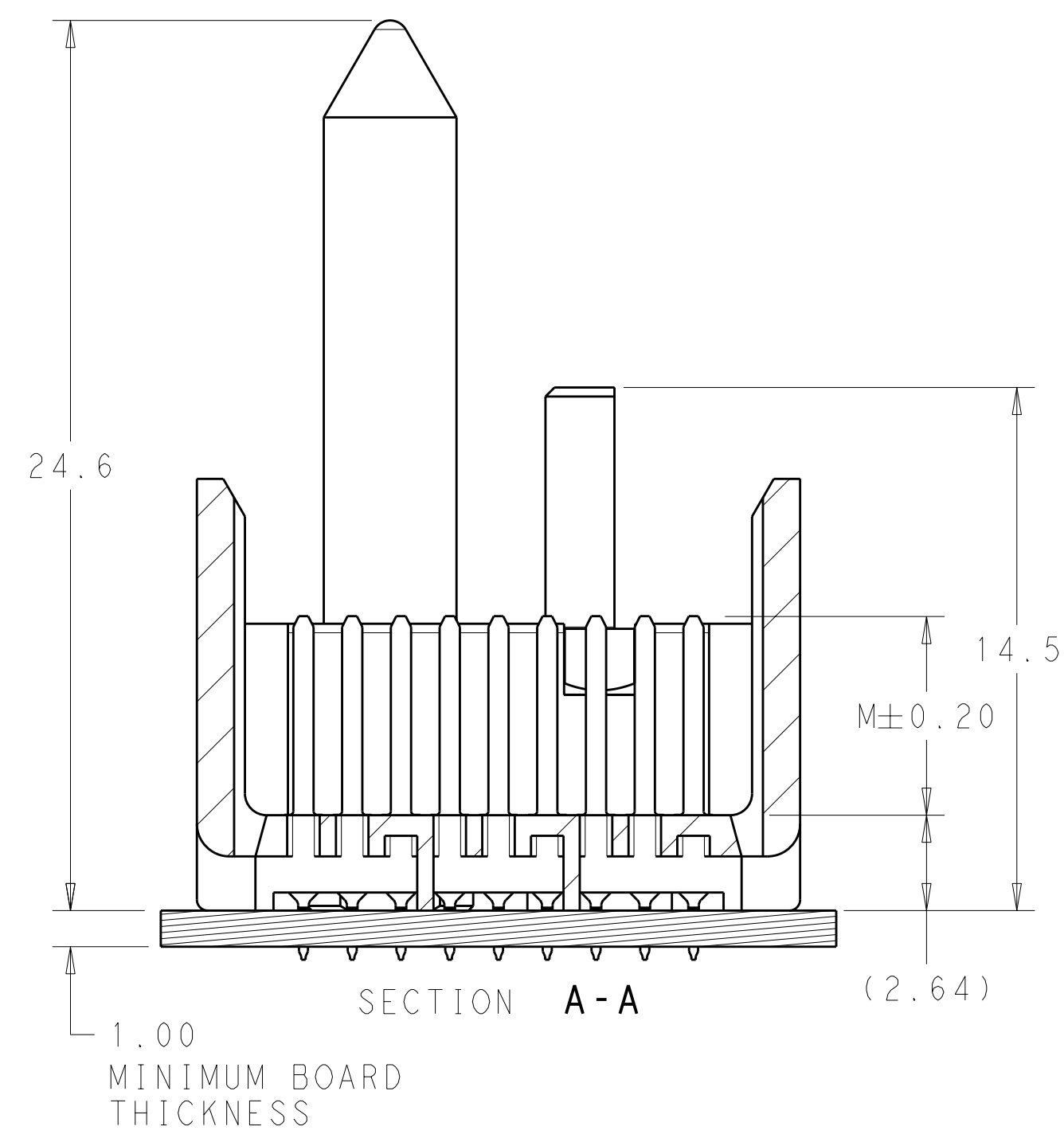
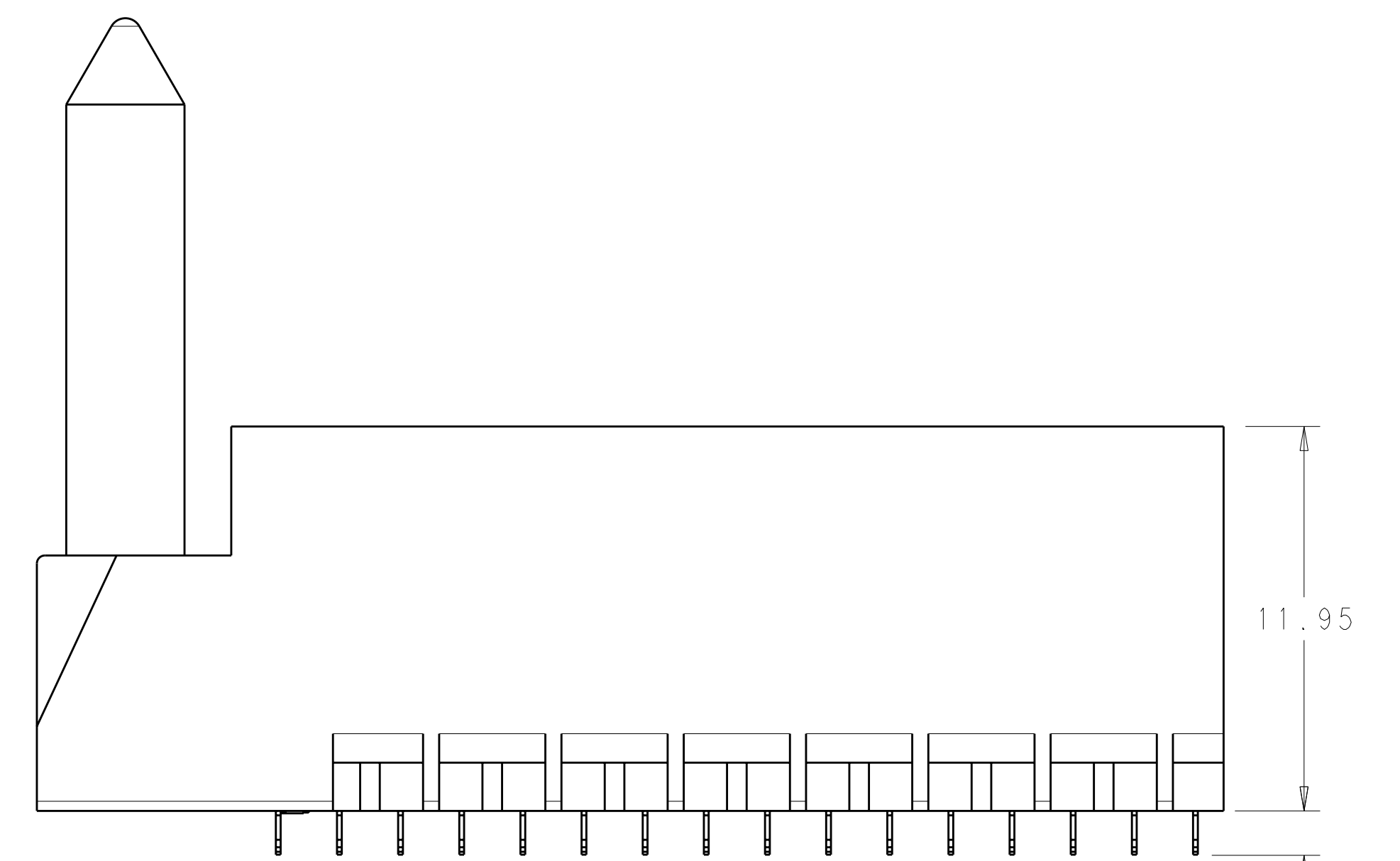
Address: A1208, Overseas Decoration Building, #122 Zhenhua RD., Futian, Shenzhen, China



LOC	DIST	REV	DATE	BY	APPD
AD	00	C	23DEC11	KH	DY



- 1 MATERIAL:  
HOUSING: LCP, GLASS FILLED, UL94V-0.  
TERMINALS: HIGH PERFORMANCE COPPER ALLOY.
- 2 FINISH:  
30μ" MIN GOLD IN CONTACT AREA. SELECTIVE TIN  
ON PCB TAILS, NICKEL OVERALL.
- 3 FINISH:  
30μ" MIN GOLD IN CONTACT AREA. SELECTIVE TIN-LEAD  
ON PCB TAILS, NICKEL OVERALL.
- 4. SCREWS PACKAGED IN END OF PACKAGING TUBE.
- 5 FOR GROUNDED GUIDE PIN USE Ø3.56±0.08 PTH,  
Ø3.66 DRILL, AND Ø6.5 PAD.
- 6. KEYING PIN SHOWN IN POSITION A. SEE KEYING CHART  
ON SHEET 2 FOR OTHER POSITIONS.

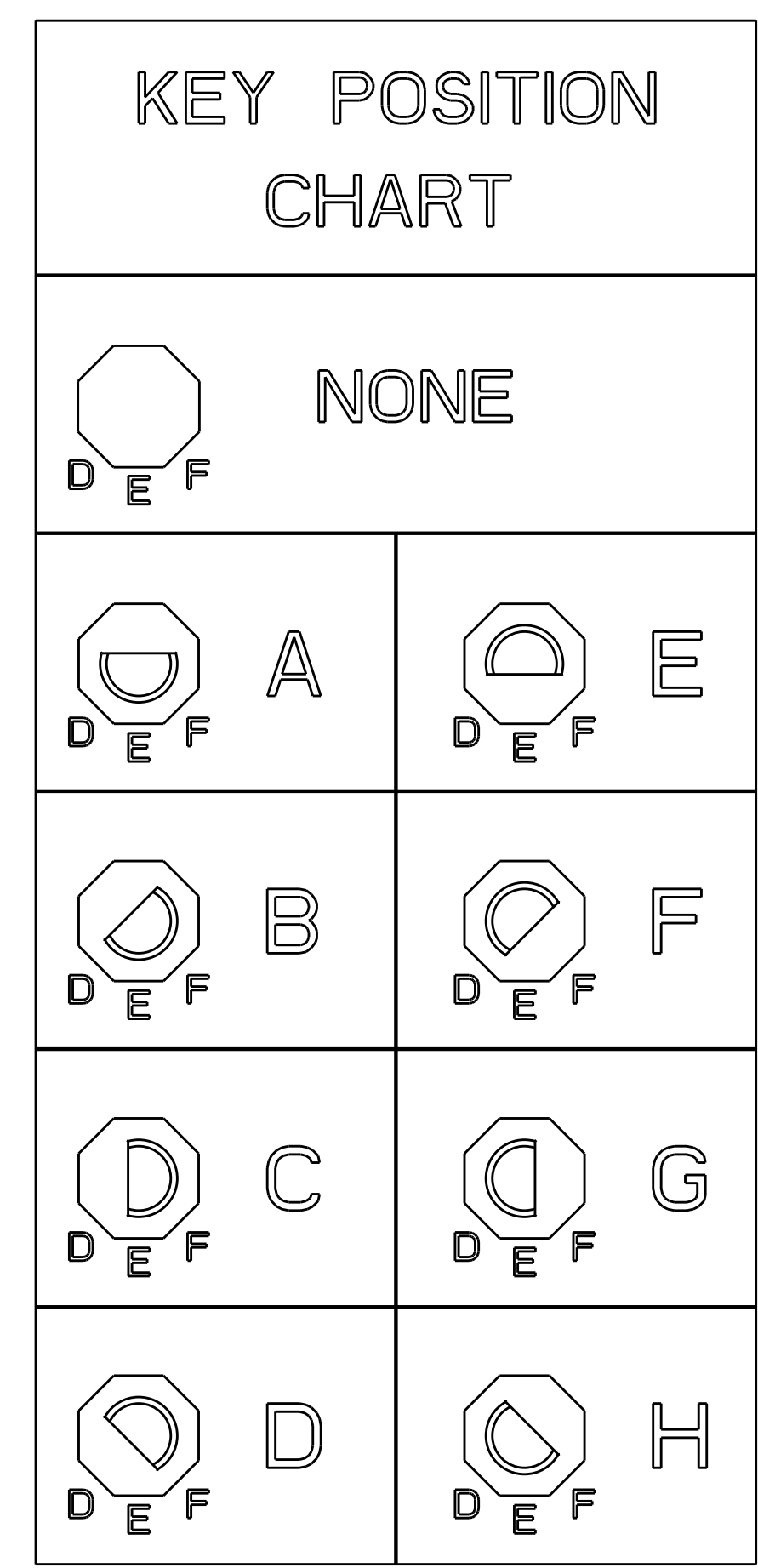


THIS DRAWING IS A CONTROLLED DOCUMENT.		OWN J. K. SHOBER 23DEC11	TE Connectivity
DIMENSIONS: mm		CHK J. EARY 23DEC11	
TOLERANCES UNLESS OTHERWISE SPECIFIED:		APPD J. EARY 23DEC11	NAME: IMPACT, 3 PAIR, 16 COLUMN, HEADER LEFT GUIDED, OPEN END WALL SIGNAL MODULE, 0.36 PTH
9 PLC ± 1 PLC ±0.25 3 PLC ±0.13 5 PLC ± 4 PLC ± ANGLES ±		PRODUCT SPEC	
MATERIAL		APPLICATION SPEC	SIZE CAGE CODE DRAWING NO. RESTRICTED TO
FINISH SEE TABLE		WEIGHT	A1100779C=2007793
CUSTOMER DRAWING		SCALE 6:1	SHEET 1 OF 2 REV C

LOC		DIST		REVISIONS			
AD	00	P	LTG	DESCRIPTION	DATE	DWN	APVD
		-	-	SEE SHEET 1	-	-	-

3	H	5.5	8-2007793-6
3	H	4.9	8-2007793-5
3	H	4.5	8-2007793-4
2	H	5.5	8-2007793-3
2	H	4.9	8-2007793-2
2	H	4.5	8-2007793-1
3	G	5.5	7-2007793-6
3	G	4.9	7-2007793-5
3	G	4.5	7-2007793-4
2	G	5.5	7-2007793-3
2	G	4.9	7-2007793-2
2	G	4.5	7-2007793-1
3	F	5.5	6-2007793-6
3	F	4.9	6-2007793-5
3	F	4.5	6-2007793-4
2	F	5.5	6-2007793-3
2	F	4.9	6-2007793-2
2	F	4.5	6-2007793-1
3	E	5.5	5-2007793-6
3	E	4.9	5-2007793-5
3	E	4.5	5-2007793-4
2	E	5.5	5-2007793-3
2	E	4.9	5-2007793-2
2	E	4.5	5-2007793-1
3	D	5.5	4-2007793-6
3	D	4.9	4-2007793-5
3	D	4.5	4-2007793-4
2	D	5.5	4-2007793-3
2	D	4.9	4-2007793-2
2	D	4.5	4-2007793-1
3	C	5.5	3-2007793-6
3	C	4.9	3-2007793-5
3	C	4.5	3-2007793-4
2	C	5.5	3-2007793-3
2	C	4.9	3-2007793-2
2	C	4.5	3-2007793-1
3	B	5.5	2-2007793-6
3	B	4.9	2-2007793-5
3	B	4.5	2-2007793-4
2	B	5.5	2-2007793-3
2	B	4.9	2-2007793-2
2	B	4.5	2-2007793-1
3	A	5.5	1-2007793-6
3	A	4.9	1-2007793-5
3	A	4.5	1-2007793-4
2	A	5.5	1-2007793-3
2	A	4.9	1-2007793-2
2	A	4.5	1-2007793-1
3	-	5.5	2007793-6
3	-	4.9	2007793-5
3	-	4.5	2007793-4
2	-	5.5	2007793-3
2	-	4.9	2007793-2
2	-	4.5	2007793-1
FINISH	KEY POSITION	DIM M	PART NUMBER

REFER TO WWW.TE.COM FOR PRODUCT AVAILABILITY



THIS DRAWING IS A CONTROLLED DOCUMENT.		DWN J. K. SHOBER 23DEC11	<b>TE</b> TE Connectivity
DIMENSIONS: mm		CHK J. EBY 23DEC11	
TOLERANCES UNLESS OTHERWISE SPECIFIED:		APVD J. EBY 23DEC11	NAME: IMPACT, 3 PAIR, 16 COLUMN, HEADER LEFT GUIDED, OPEN END WALL SIGNAL MODULE, 0.36 PTH
9 PLC ± 8 PLC ±0.25 5 PLC ±0.13 4 PLC ± ANGLES ± FINISH SEE TABLE		PRODUCT SPEC	
MATERIAL	SEE TABLE	APPLICATION SPEC	SIZE CAGE CODE DRAWING NO RESTRICTED TO
CUSTOMER DRAWING		WEIGHT	A100779C=2007793
SCALE 5:1		SHEET 2 OF 2	REV C