



Chipsmall Limited consists of a professional team with an average of over 10 year of expertise in the distribution of electronic components. Based in Hongkong, we have already established firm and mutual-benefit business relationships with customers from,Europe,America and south Asia,supplying obsolete and hard-to-find components to meet their specific needs.

With the principle of “Quality Parts,Customers Priority,Honest Operation,and Considerate Service”,our business mainly focus on the distribution of electronic components. Line cards we deal with include Microchip,ALPS,ROHM,Xilinx,Pulse,ON,Everlight and Freescale. Main products comprise IC,Modules,Potentiometer,IC Socket,Relay,Connector.Our parts cover such applications as commercial,industrial, and automotives areas.

We are looking forward to setting up business relationship with you and hope to provide you with the best service and solution. Let us make a better world for our industry!



Contact us

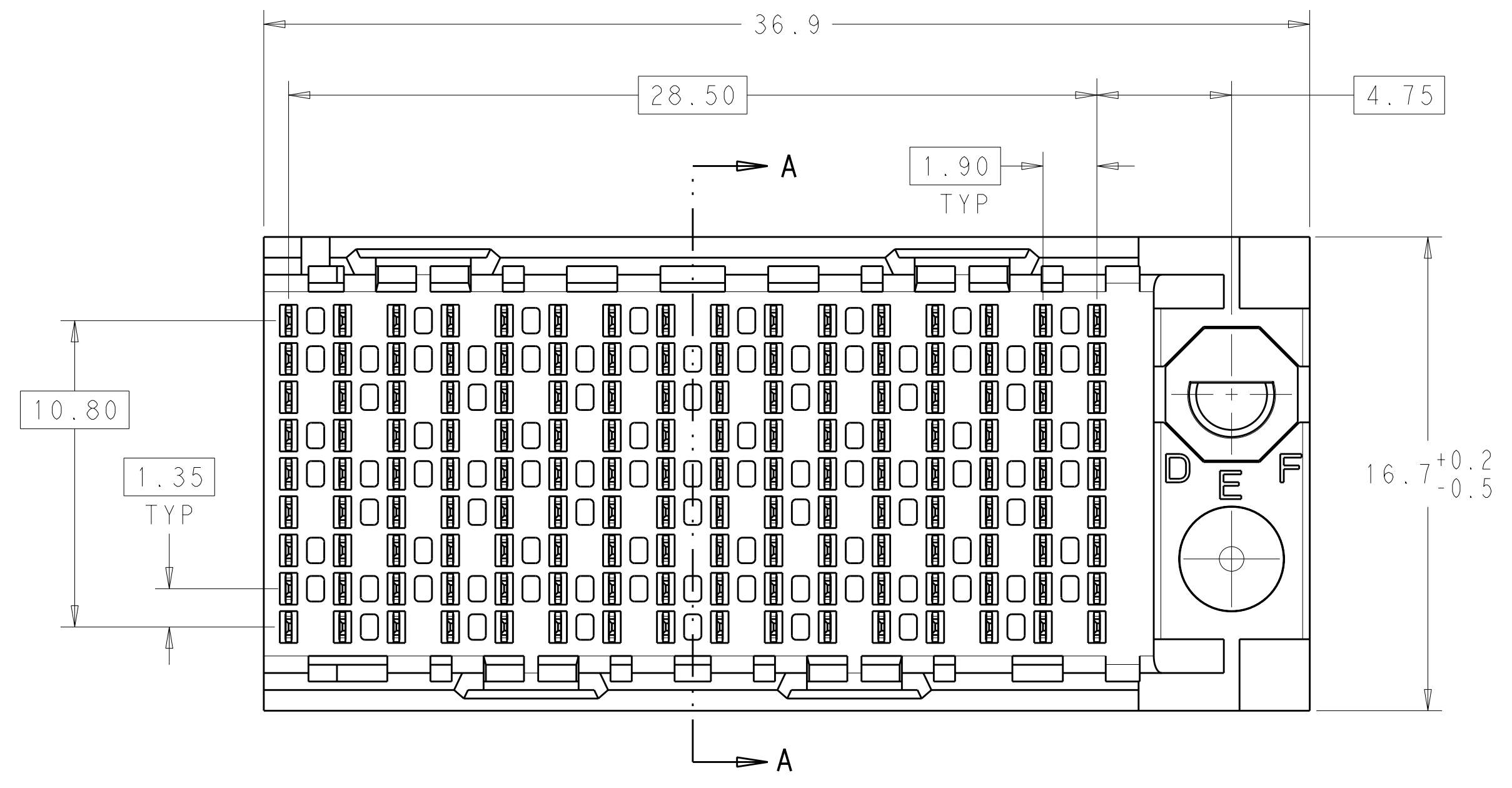
Tel: +86-755-8981 8866 Fax: +86-755-8427 6832

Email & Skype: info@chipsmall.com Web: www.chipsmall.com

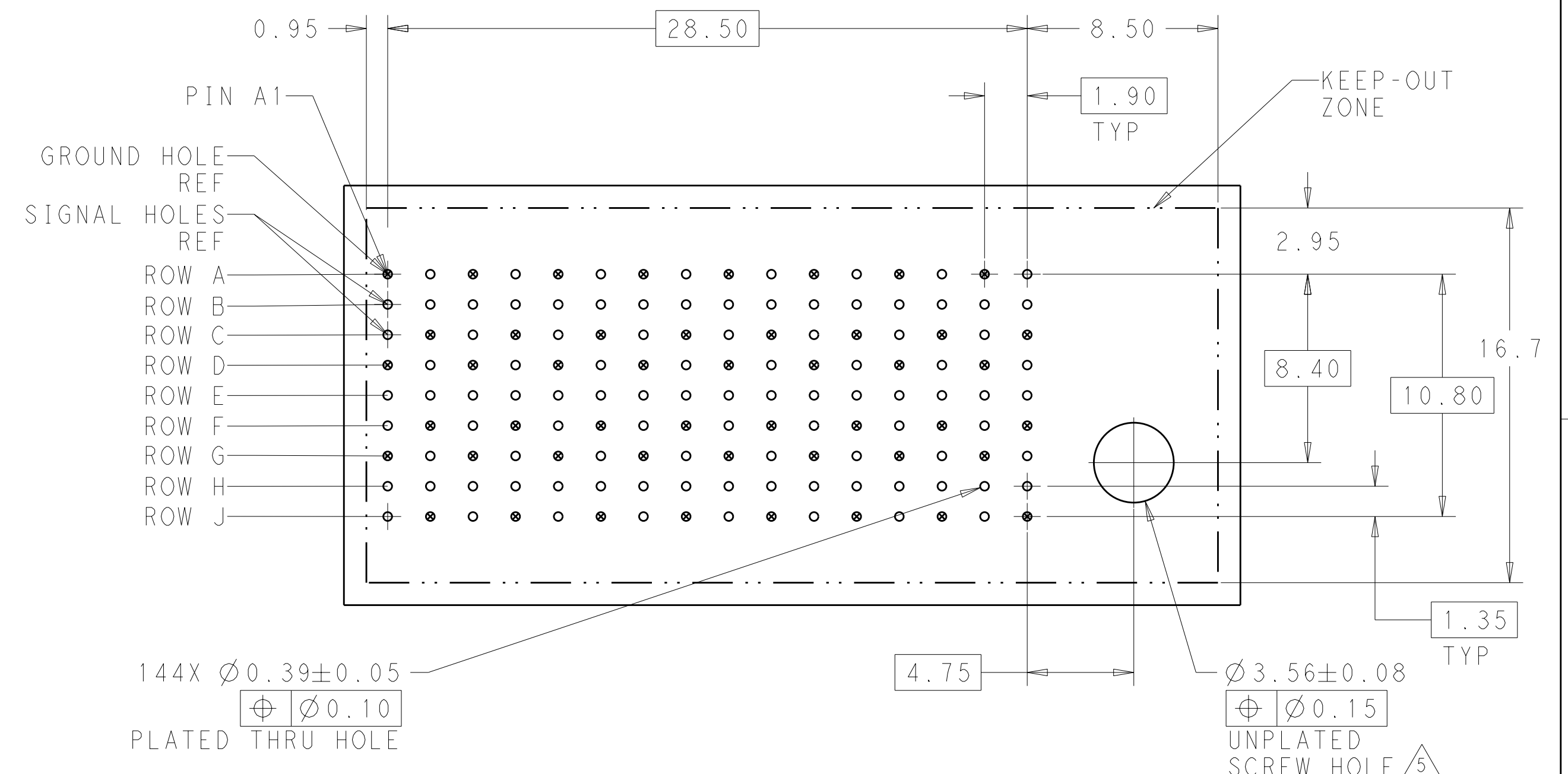
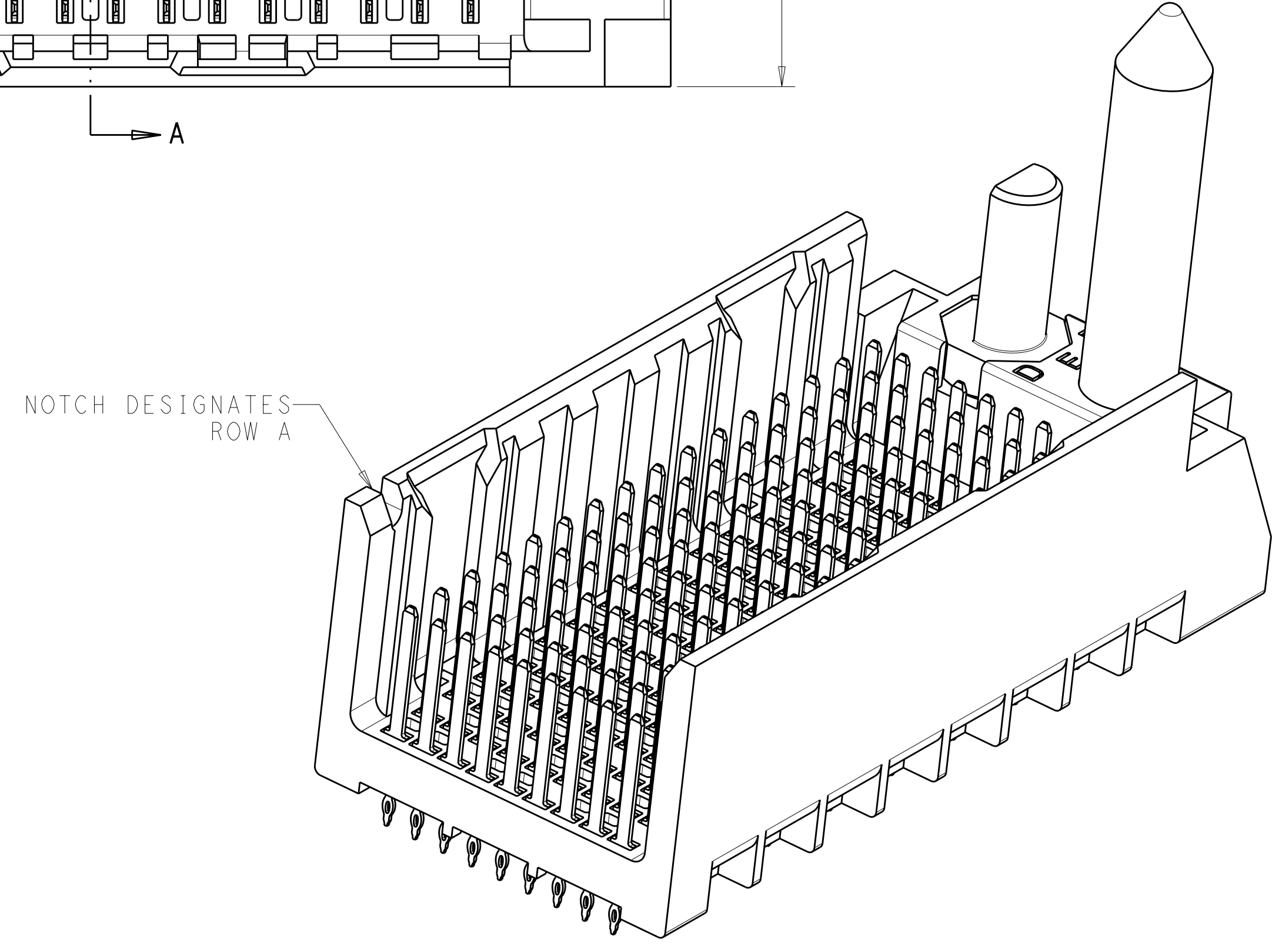
Address: A1208, Overseas Decoration Building, #122 Zhenhua RD., Futian, Shenzhen, China



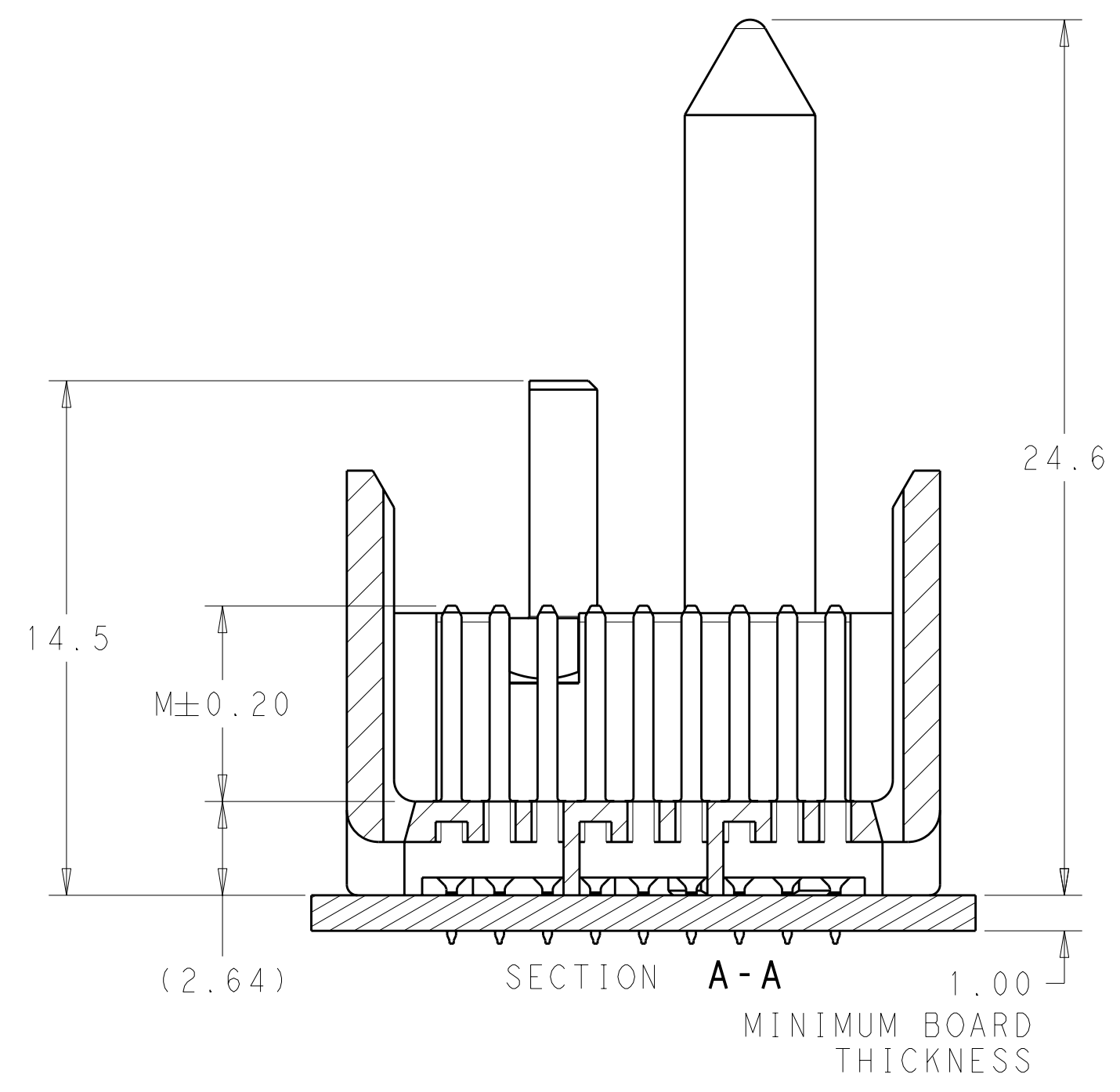
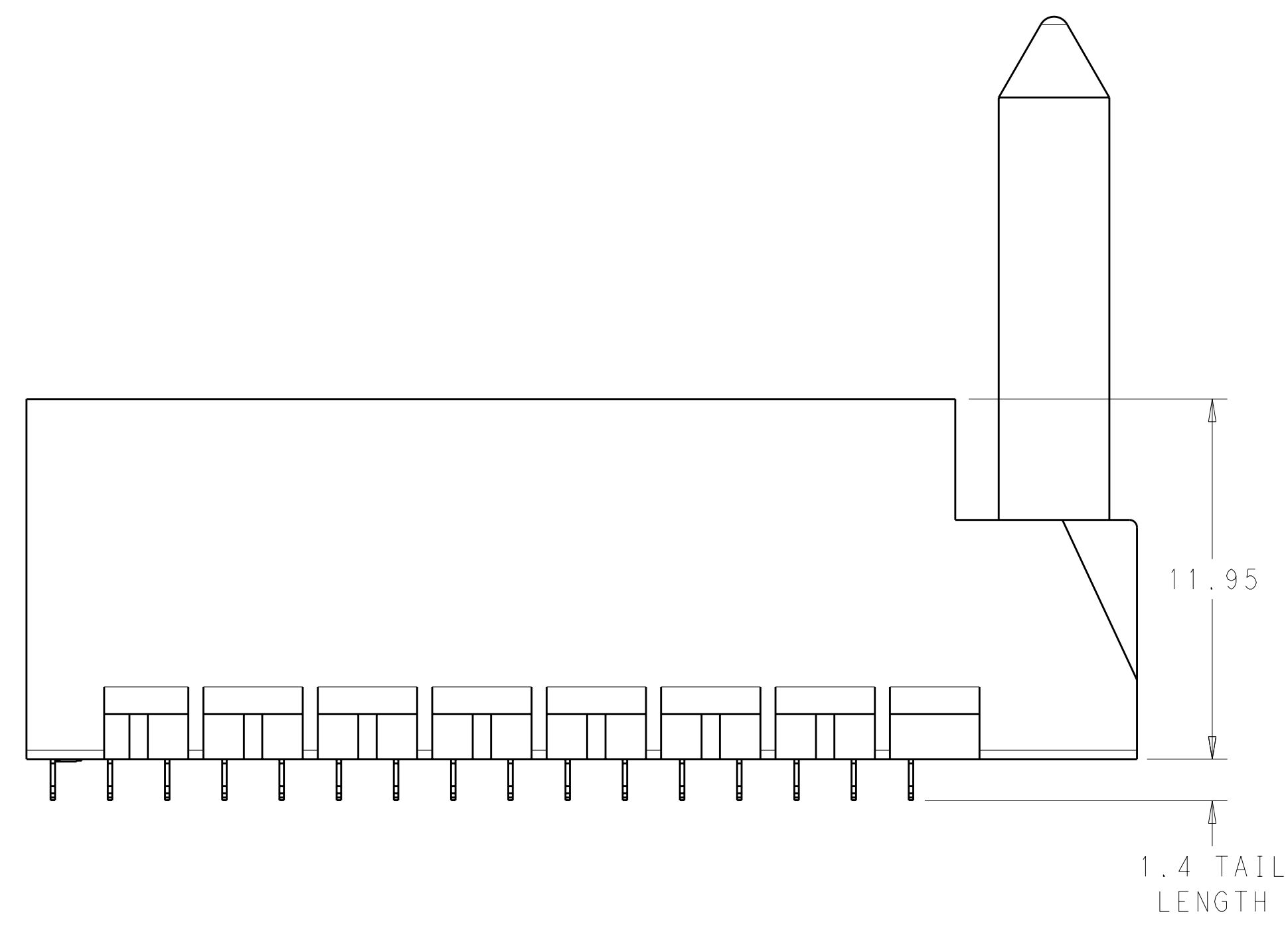
LOC		DIST		REVISIONS			
AD	00	P	LT#	DESCRIPTION	DATE	DWN	APVD
		C		REVISED PER ECO-11-025276	24DEC11	KH	DY



- 1 MATERIAL:
HOUSING: LCP, GLASS FILLED, UL94V-0.
TERMINALS: HIGH PERFORMANCE COPPER ALLOY.
- 2 FINISH:
30μ" MIN GOLD IN CONTACT AREA. SELECTIVE TIN ON PCB TAILS, NICKEL OVERALL.
- 3 FINISH:
30μ" MIN GOLD IN CONTACT AREA. SELECTIVE TIN-LEAD ON PCB TAILS, NICKEL OVERALL.
- 4. SCREWS PACKAGED IN END OF PACKAGING TUBE.
- 5 FOR GROUNDED GUIDE PIN USE Ø3.56±0.08 PTH, Ø3.66 DRILL, AND Ø6.5 PAD.
- 6. KEYING PIN SHOWN IN POSITION A, SEE KEYING CHART ON SHEET 2 FOR OTHER POSITIONS.



RIGHT GUIDED BACKPLANE HOLE PATTERN (CONNECTOR SIDE)

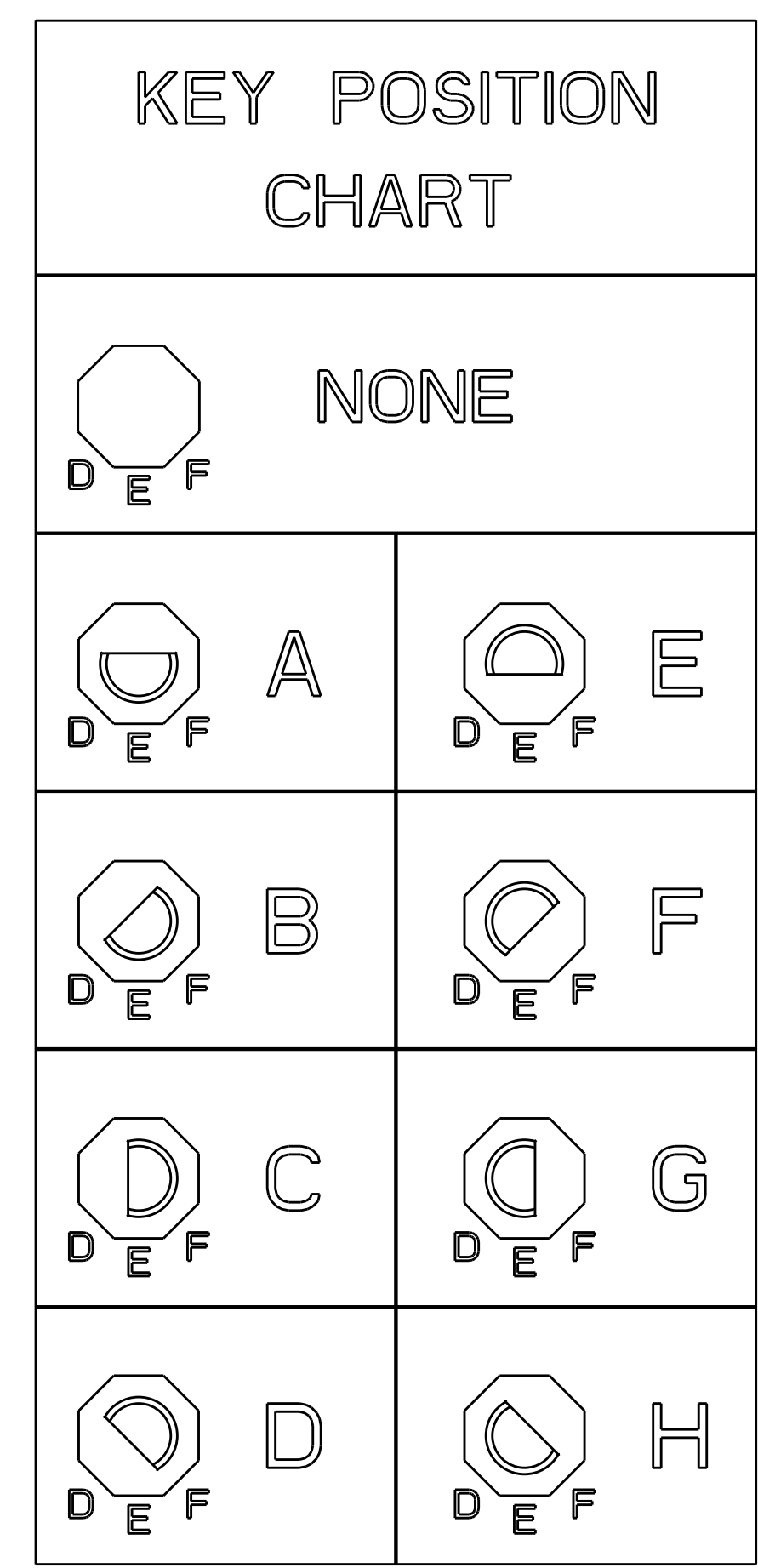


THIS DRAWING IS A CONTROLLED DOCUMENT.		DWN J. K. SHOBER 24DEC11	TE Connectivity
DIMENSIONS: mm		CHK J. EBY 24DEC11	
TOLERANCES UNLESS OTHERWISE SPECIFIED:		APVD J. EBY 24DEC11	NAME IMPACT, 3 PAIR, 16 COLUMN, HEADER
0 PLC ±	1 PLC ±0.25	PRODUCT SPEC	RIGHT GUIDED, OPEN END WALL
2 PLC ±0.13	3 PLC ±	APPLICATION SPEC	SIGNAL MODULE, 0.36 PTH
4 PLC ±	5 PLC ±	SIZE CAGE CODE DRAWING NO	A1100779C=2007797
ANGLES ±	FINISH SEE TABLE	WEIGHT	RESTRICTED TO
MATERIAL	SEE TABLE	CUSTOMER DRAWING	SCALE 6:1 SHEET 1 OF 2 REV C

LOC		DIST		REVISIONS			
AD	00	P	LTB	DESCRIPTION	DATE	DWN	APVD
		-	-	SEE SHEET 1	-	-	-

3	H	5.5	8-2007797-6
3	H	4.9	8-2007797-5
3	H	4.5	8-2007797-4
2	H	5.5	8-2007797-3
2	H	4.9	8-2007797-2
2	H	4.5	8-2007797-1
3	G	5.5	7-2007797-6
3	G	4.9	7-2007797-5
3	G	4.5	7-2007797-4
2	G	5.5	7-2007797-3
2	G	4.9	7-2007797-2
2	G	4.5	7-2007797-1
3	F	5.5	6-2007797-6
3	F	4.9	6-2007797-5
3	F	4.5	6-2007797-4
2	F	5.5	6-2007797-3
2	F	4.9	6-2007797-2
2	F	4.5	6-2007797-1
3	E	5.5	5-2007797-6
3	E	4.9	5-2007797-5
3	E	4.5	5-2007797-4
2	E	5.5	5-2007797-3
2	E	4.9	5-2007797-2
2	E	4.5	5-2007797-1
3	D	5.5	4-2007797-6
3	D	4.9	4-2007797-5
3	D	4.5	4-2007797-4
2	D	5.5	4-2007797-3
2	D	4.9	4-2007797-2
2	D	4.5	4-2007797-1
3	C	5.5	3-2007797-6
3	C	4.9	3-2007797-5
3	C	4.5	3-2007797-4
2	C	5.5	3-2007797-3
2	C	4.9	3-2007797-2
2	C	4.5	3-2007797-1
3	B	5.5	2-2007797-6
3	B	4.9	2-2007797-5
3	B	4.5	2-2007797-4
2	B	5.5	2-2007797-3
2	B	4.9	2-2007797-2
2	B	4.5	2-2007797-1
3	A	5.5	1-2007797-6
3	A	4.9	1-2007797-5
3	A	4.5	1-2007797-4
2	A	5.5	1-2007797-3
2	A	4.9	1-2007797-2
2	A	4.5	1-2007797-1
3	-	5.5	2007797-6
3	-	4.9	2007797-5
3	-	4.5	2007797-4
2	-	5.5	2007797-3
2	-	4.9	2007797-2
2	-	4.5	2007797-1
FINISH	KEY POSITION	DIM M	PART NUMBER

REFER TO WWW.TE.COM FOR PRODUCT AVAILABILITY



THIS DRAWING IS A CONTROLLED DOCUMENT.		DWN J. K. SHOBER 24DECT1	TE Connectivity
DIMENSIONS: mm		CHK J. EBY 24DECT1	
TOLERANCES UNLESS OTHERWISE SPECIFIED:		APVD J. EBY 24DECT1	NAME: IMPACT, 3 PAIR, 16 COLUMN, HEADER RIGHT GUIDED, OPEN END WALL SIGNAL MODULE, 0.36 PTH
9 PLC ±0.25		PRODUCT SPEC	
3 PLC ±0.13		APPLICATION SPEC	SIZE CAGE CODE DRAWING NO RESTRICTED TO
5 PLC ±		WEIGHT	A100779C=2007797
4 PLC ±		CUSTOMER DRAWING	SCALE 5:1 SHEET 2 OF 2 REV C
ANGLES FINISH SEE TABLE			