



Chipsmall Limited consists of a professional team with an average of over 10 year of expertise in the distribution of electronic components. Based in Hongkong, we have already established firm and mutual-benefit business relationships with customers from,Europe,America and south Asia,supplying obsolete and hard-to-find components to meet their specific needs.

With the principle of “Quality Parts,Customers Priority,Honest Operation,and Considerate Service”,our business mainly focus on the distribution of electronic components. Line cards we deal with include Microchip,ALPS,ROHM,Xilinx,Pulse,ON,Everlight and Freescale. Main products comprise IC,Modules,Potentiometer,IC Socket,Relay,Connector.Our parts cover such applications as commercial,industrial, and automotives areas.

We are looking forward to setting up business relationship with you and hope to provide you with the best service and solution. Let us make a better world for our industry!



## Contact us

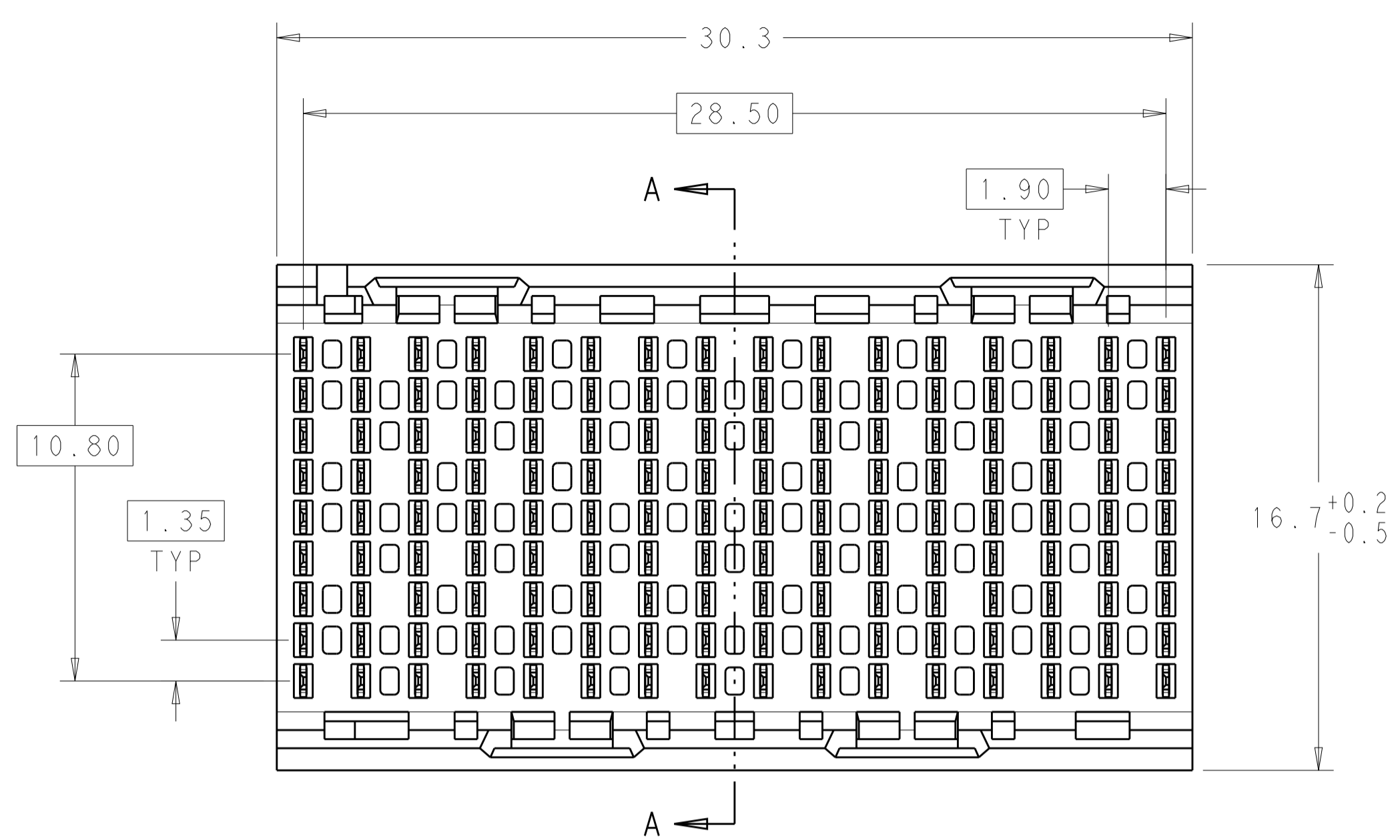
Tel: +86-755-8981 8866 Fax: +86-755-8427 6832

Email & Skype: info@chipsmall.com Web: www.chipsmall.com

Address: A1208, Overseas Decoration Building, #122 Zhenhua RD., Futian, Shenzhen, China

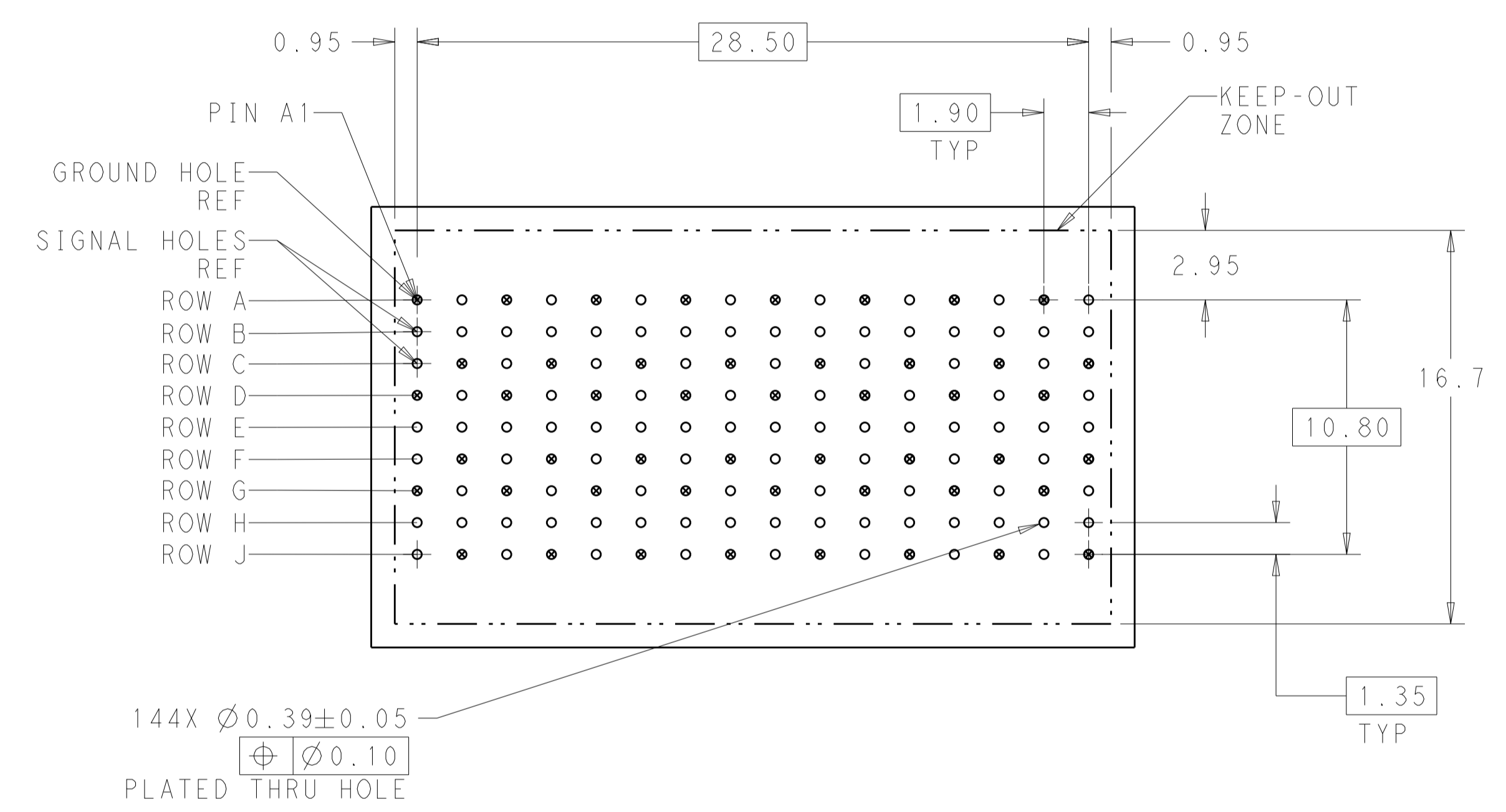
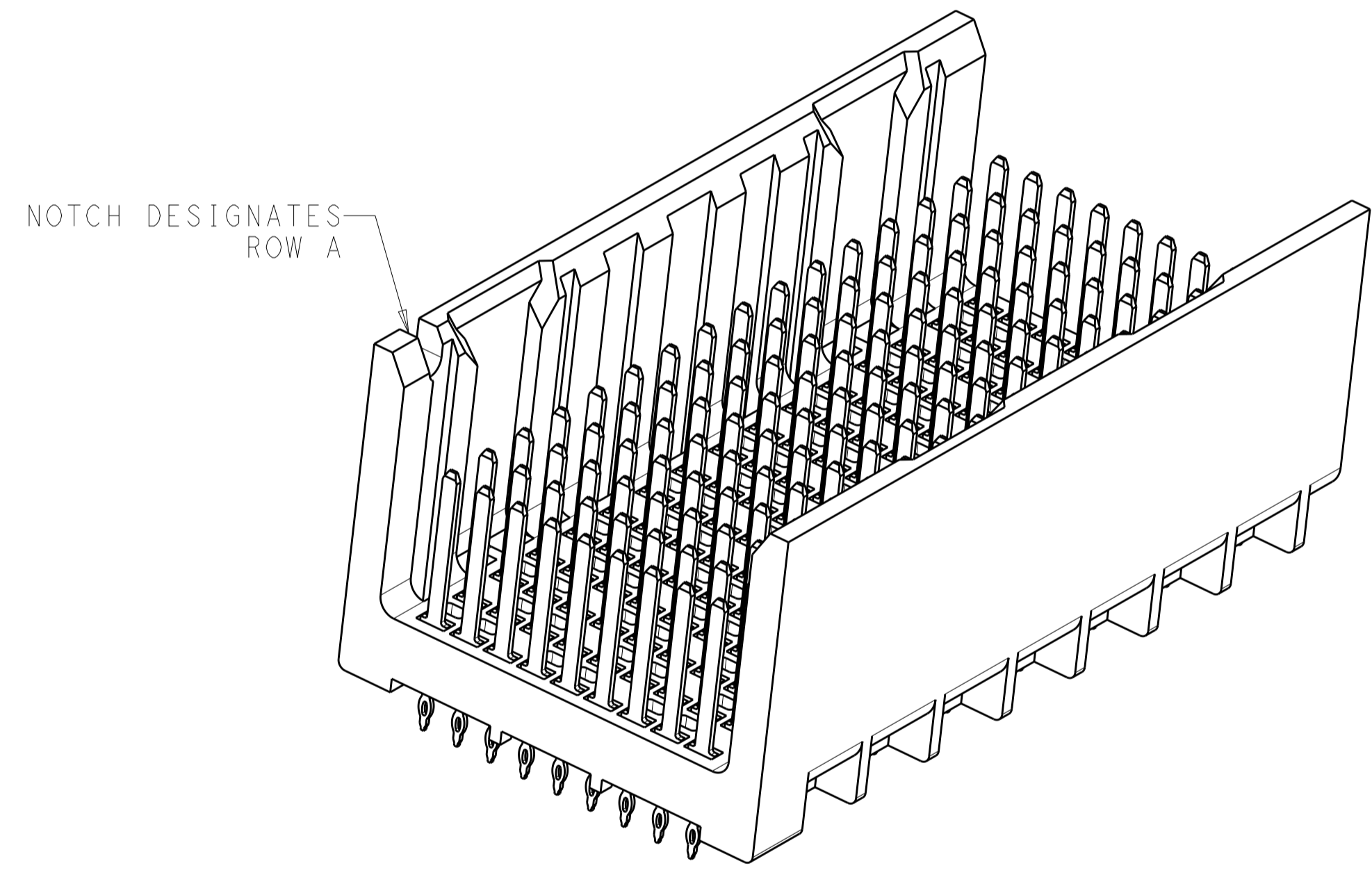


LOC		DIST		REVISIONS			
P	LTN	DESCRIPTION	DATE	DWN	APVD		
D		REVISED PER ECO-12-020314	09JUL2013	KH	DD		

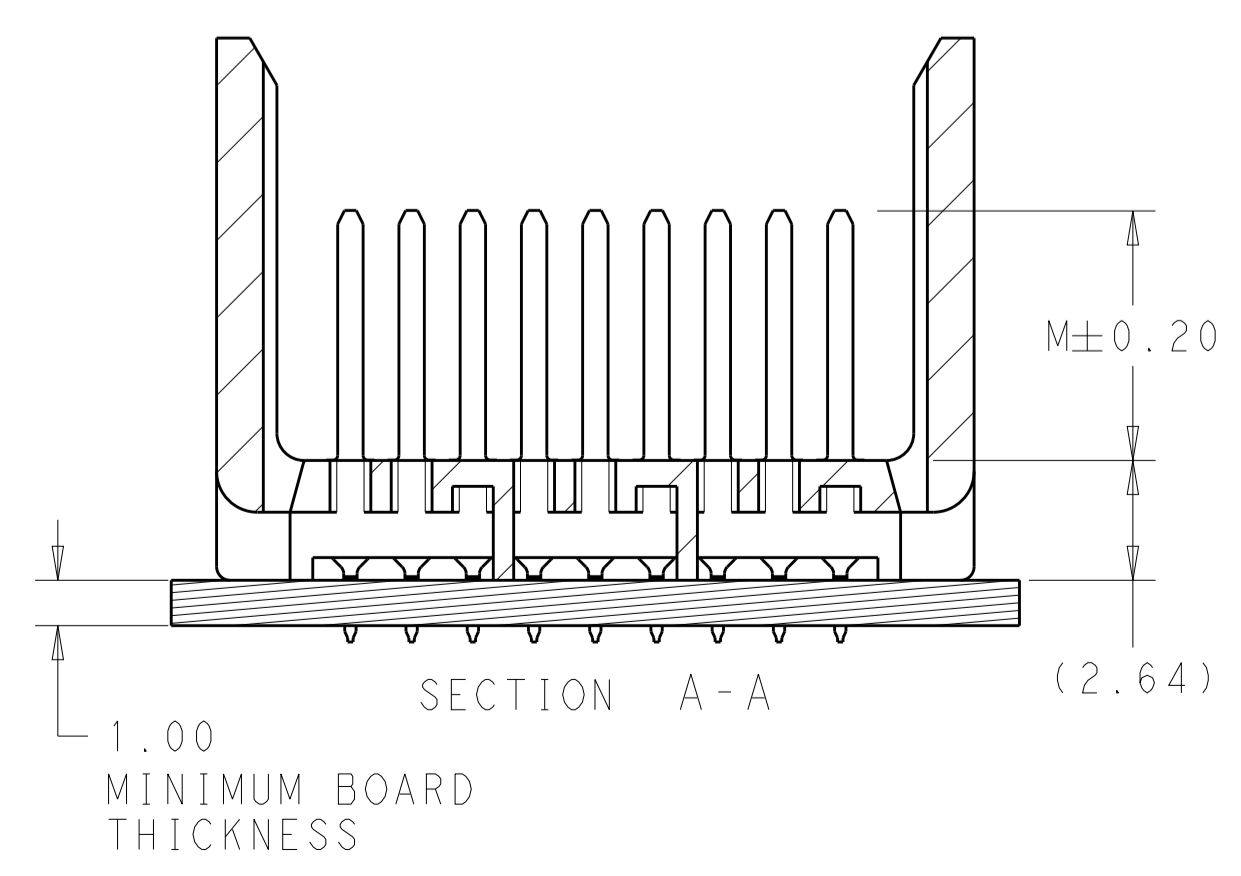
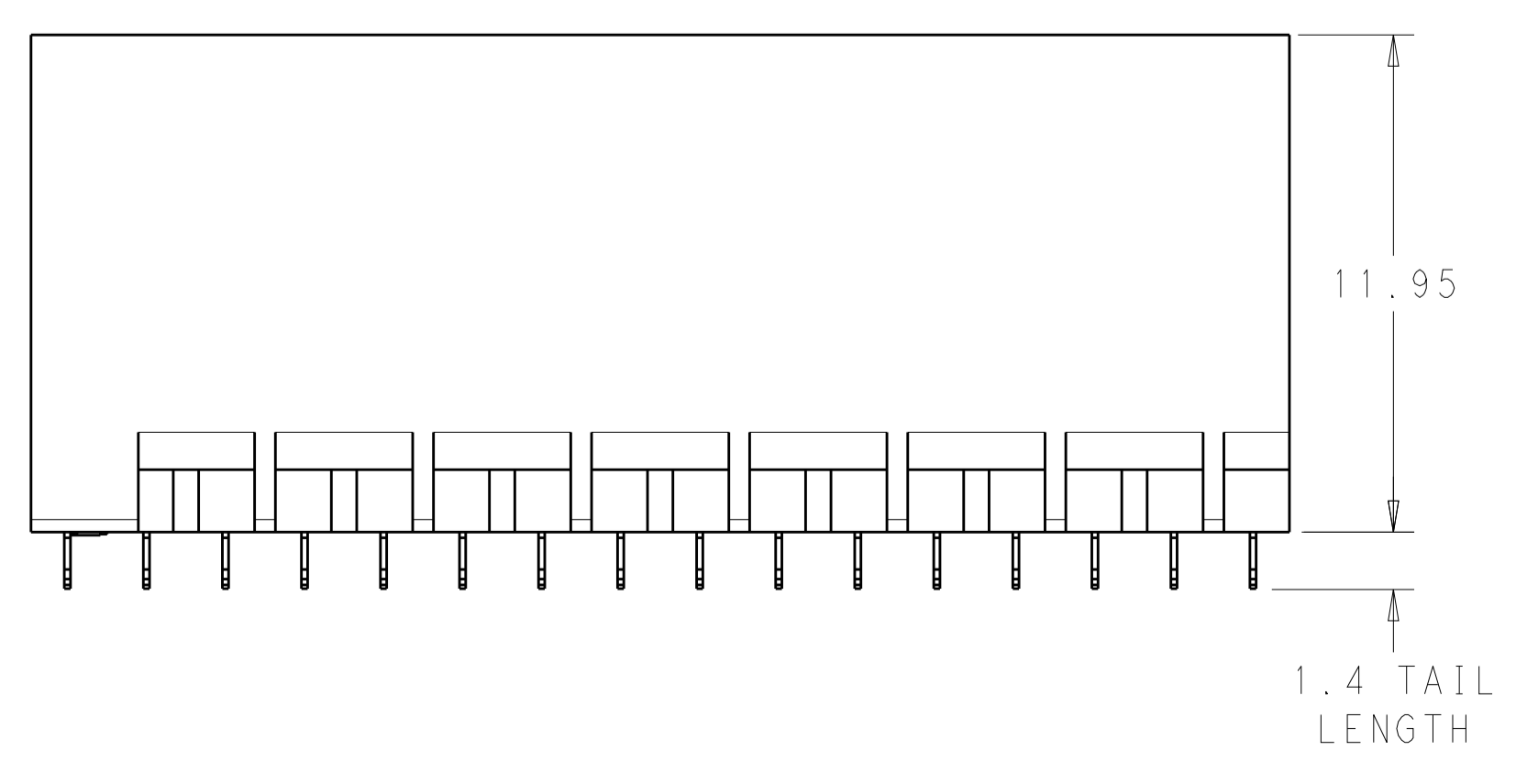


⚠ MATERIAL:  
 HOUSING: LCP, GLASS FILLED, UL94V-0.  
 TERMINALS: HIGH PERFORMANCE COPPER ALLOY.

⚠ FINISH:  
 30μ" MIN GOLD IN CONTACT AREA. SELECTIVE TIN  
 ON PCB TAILS, NICKEL OVERALL.



UNGUIDED  
 BACKPLANE HOLE PATTERN  
 (CONNECTOR SIDE)



THIS DRAWING IS A CONTROLLED DOCUMENT.		DWN J. K. SHOBER 24DECT11	TE Connectivity
DIMENSIONS:		CHK J. EARY 24DECT11	
mm	TOLERANCES UNLESS OTHERWISE SPECIFIED:	APVD J. EARY 24DECT11	NAME IMPACT, 3 PAIR, 16 COLUMN, HEADER UNGUIDED, OPEN END WALL SIGNAL MODULE, 0.39 PTH
0 PLC ± 1 PLC ±0.25 2 PLC ±0.13 3 PLC ± 4 PLC ± ANGLES ±	SEE TABLE	PRODUCT SPEC APPLICATION SPEC	
MATERIAL	FINISH	WEIGHT	SIZE CAGE CODE DRAWING NO. RESTRICTED TO A100779C=2007804
CUSTOMER DRAWING		SCALE 6:1	SHEET 1 OF 2 REV D

THIS DRAWING IS UNPUBLISHED.	RELEASED FOR PUBLICATION	20
© COPYRIGHT 20	ALL RIGHTS RESERVED.	

LOC	DIST	REVISIONS					
		P	LTN	DESCRIPTION	DATE	DWN	APVD
AD	00	-	-	SEE SHEET 1	-	-	-

	5.5	2007804-3
	4.9	2007804-2
	4.5	2007804-1
FINISH	DIM M	PART NUMBER

REFER TO WWW.TE.COM  
FOR PRODUCT AVAILABILITY

THIS DRAWING IS A CONTROLLED DOCUMENT.		DWN J. K. SHOBER 24DECT1	
DIMENSIONS: mm		CHK J. EARY 24DECT1	
TOLERANCES UNLESS OTHERWISE SPECIFIED: 0 PLC ± 1 PLC ±0.25 2 PLC ±0.13 3 PLC ± 4 PLC ± ANGLES ±		APVD J. EARY 24DECT1	NAME IMPACT, 3 PAIR, 16 COLUMN, HEADER UNGUIDED, OPEN END WALL SIGNAL MODULE, 0.39 PTH
MATERIAL -		FINISH SEE TABLE	PRODUCT SPEC -
CUSTOMER DRAWING		WEIGHT -	APPLICATION SPEC -
SCALE 5:1		SIZE A100779	DRAWING NO C=2007804
SHEET 2 OF 2		RESTRICTED TO -	
REV D			