



Chipsmall Limited consists of a professional team with an average of over 10 year of expertise in the distribution of electronic components. Based in Hongkong, we have already established firm and mutual-benefit business relationships with customers from,Europe,America and south Asia,supplying obsolete and hard-to-find components to meet their specific needs.

With the principle of "Quality Parts,Customers Priority,Honest Operation,and Considerate Service",our business mainly focus on the distribution of electronic components. Line cards we deal with include Microchip,ALPS,ROHM,Xilinx,Pulse,ON,Everlight and Freescale. Main products comprise IC,Modules,Potentiometer,IC Socket,Relay,Connector.Our parts cover such applications as commercial,industrial, and automotives areas.

We are looking forward to setting up business relationship with you and hope to provide you with the best service and solution. Let us make a better world for our industry!



## Contact us

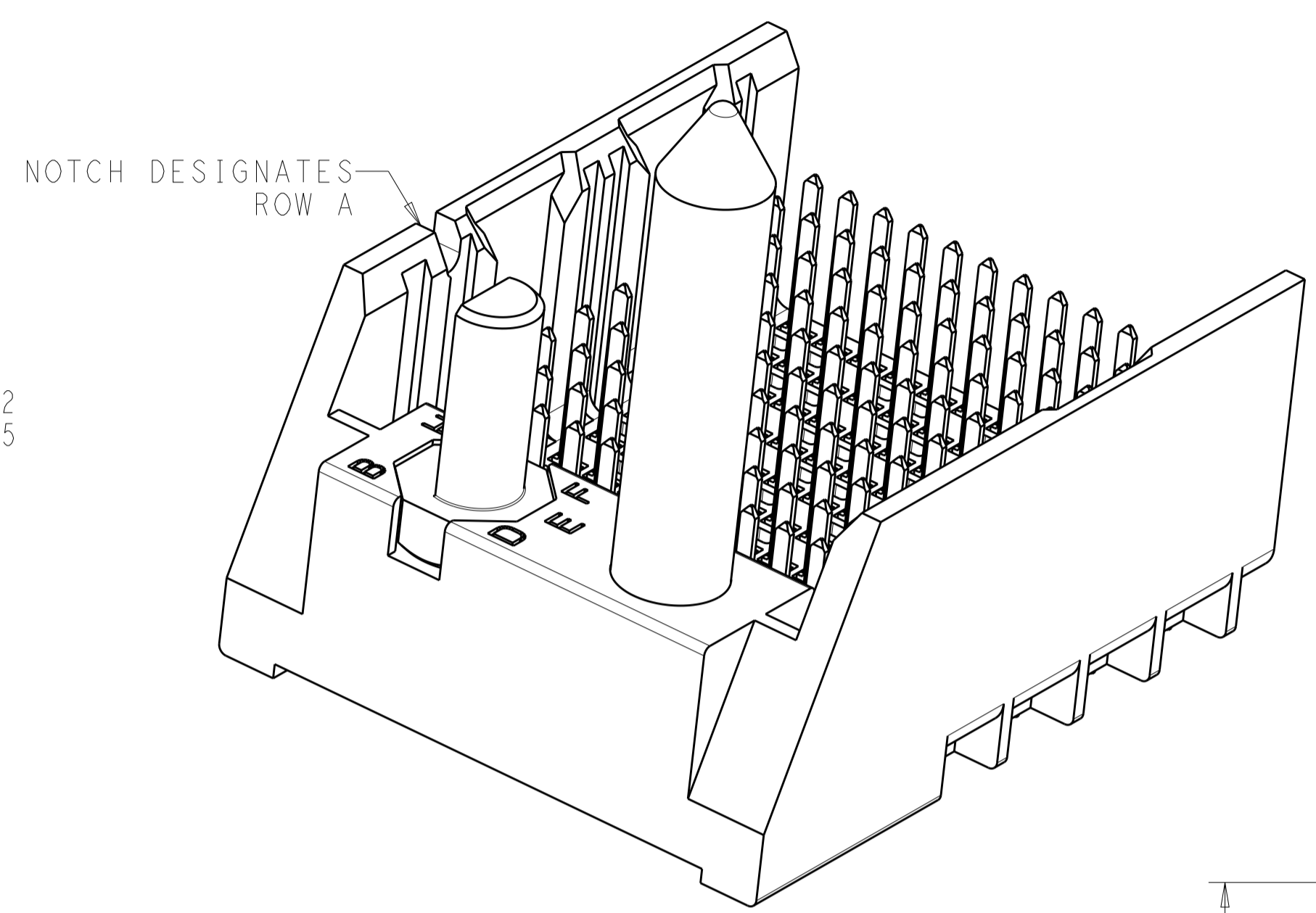
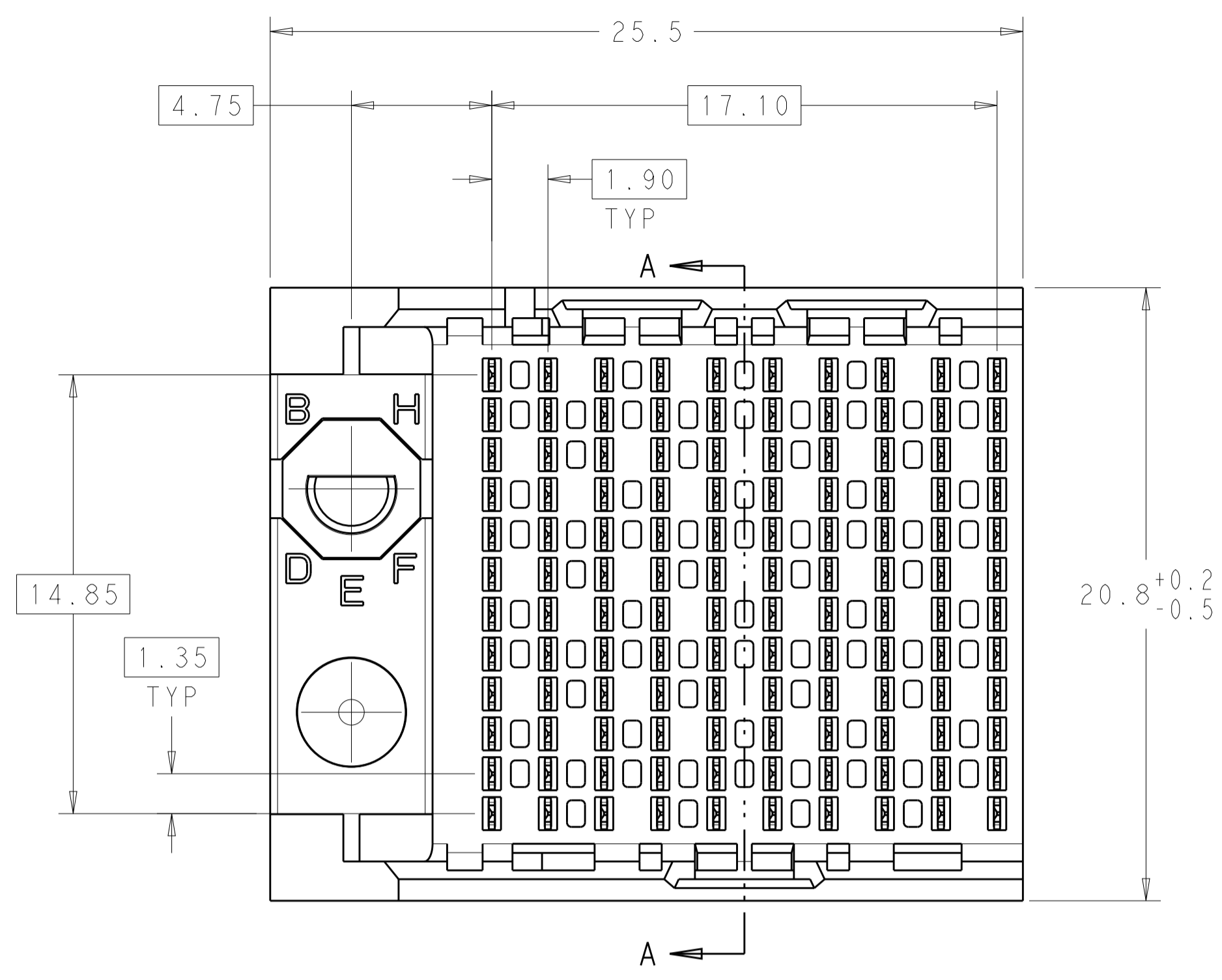
Tel: +86-755-8981 8866 Fax: +86-755-8427 6832

Email & Skype: info@chipsmall.com Web: www.chipsmall.com

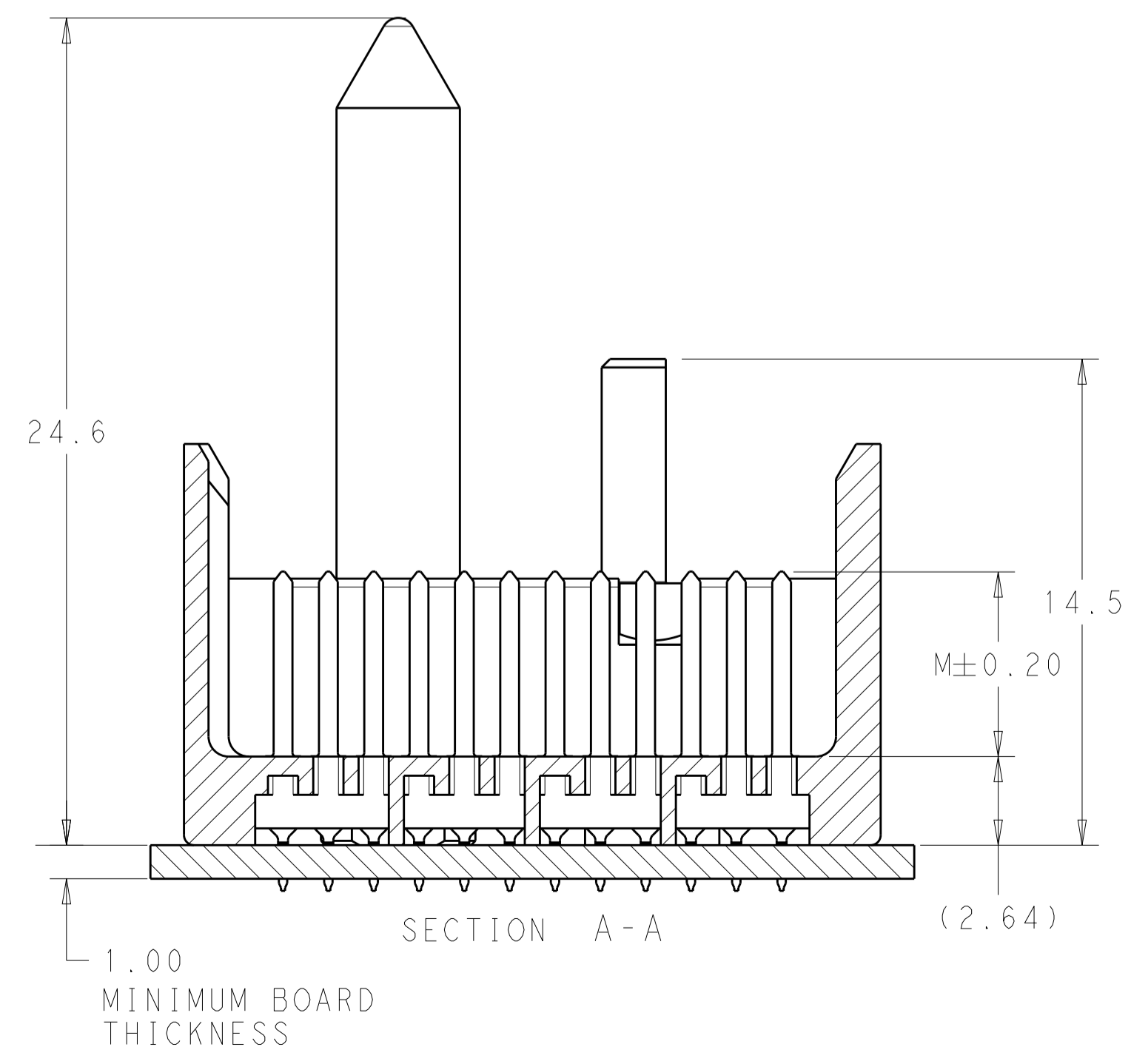
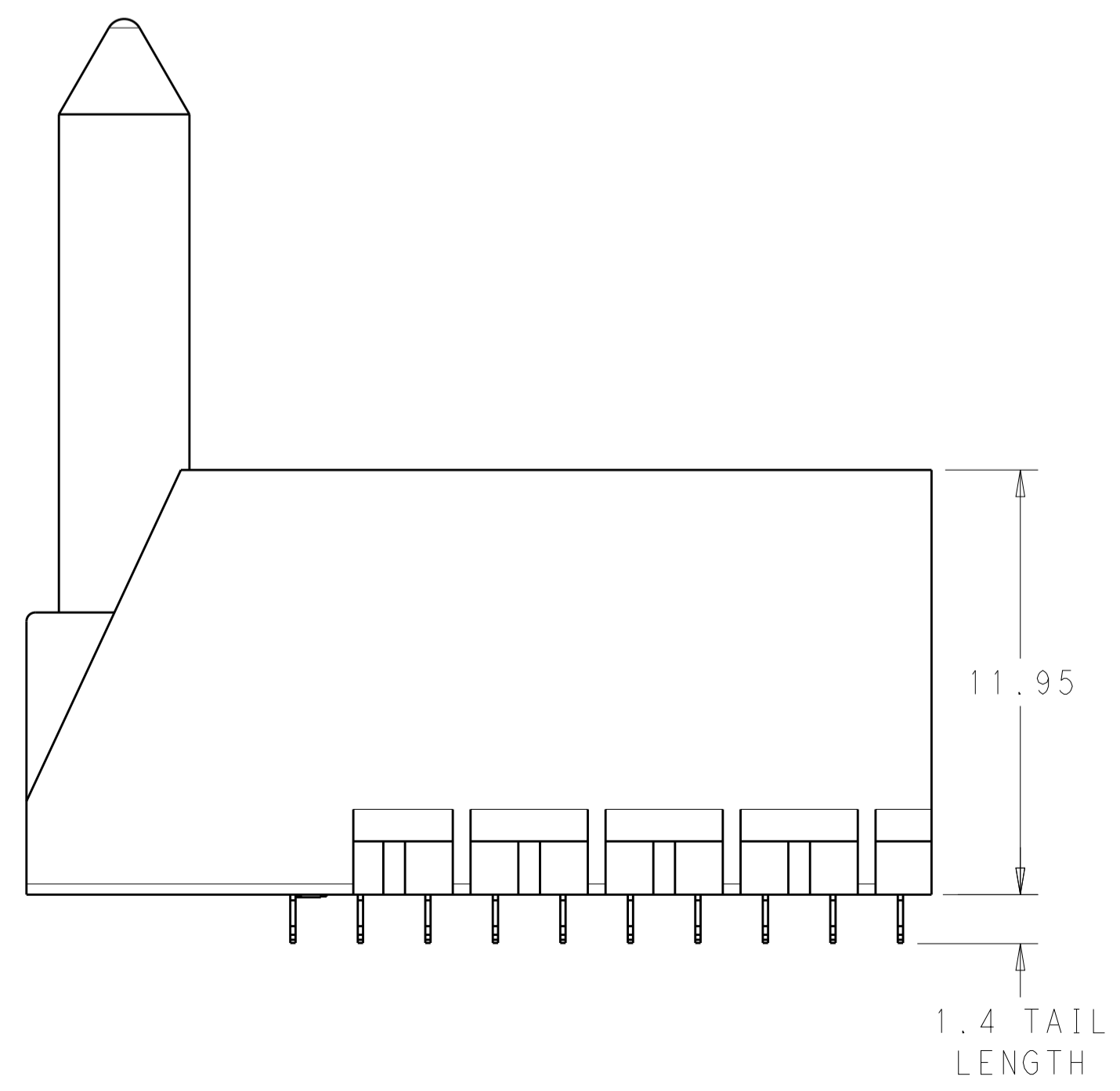
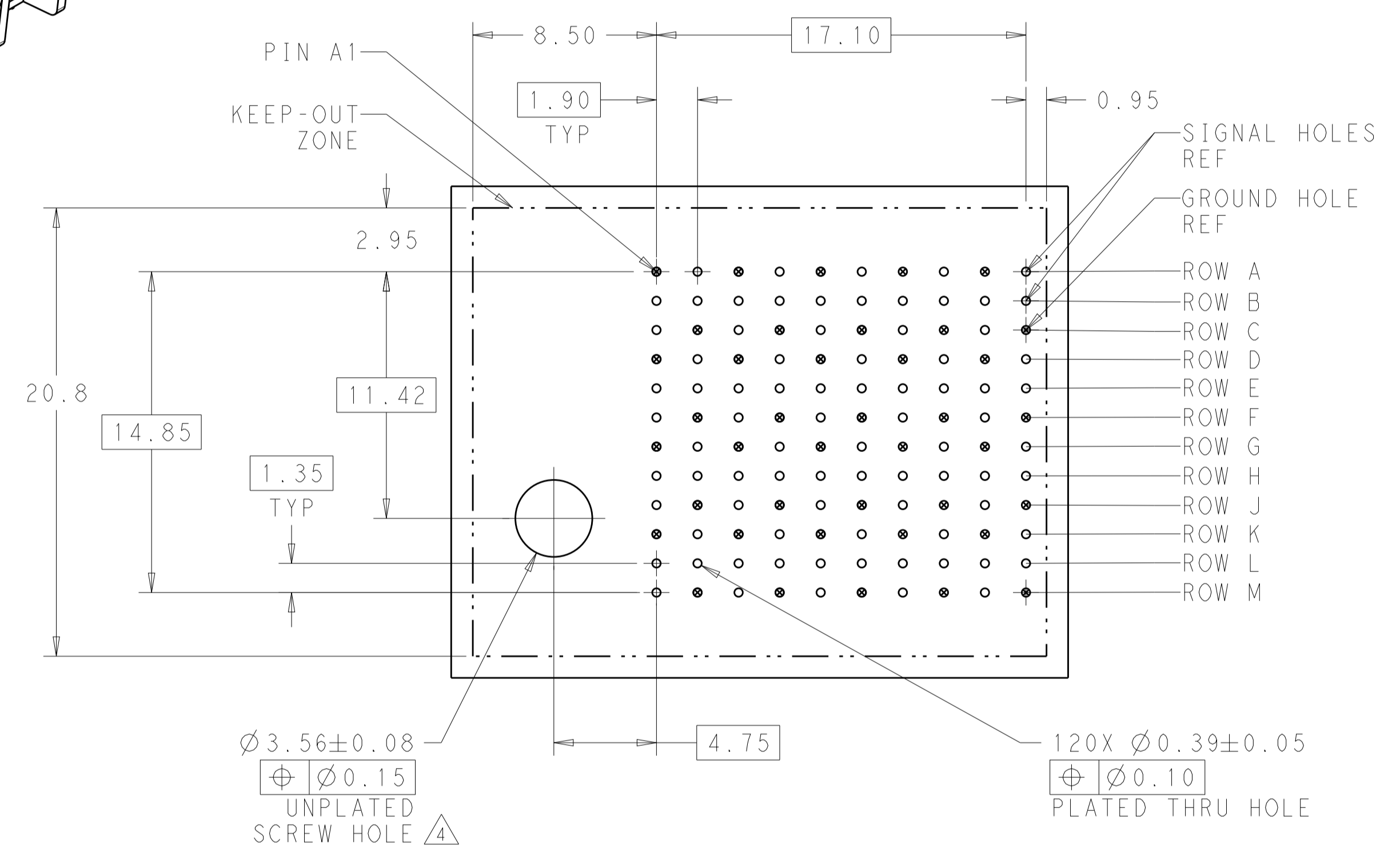
Address: A1208, Overseas Decoration Building, #122 Zhenhua RD., Futian, Shenzhen, China



LOC		DIST		REVISIONS			
AD	00	P	LTN	DESCRIPTION	DATE	DWN	APVD
		B1		REVISED PER ECO-15-001494	03FEB2015	AP	DD

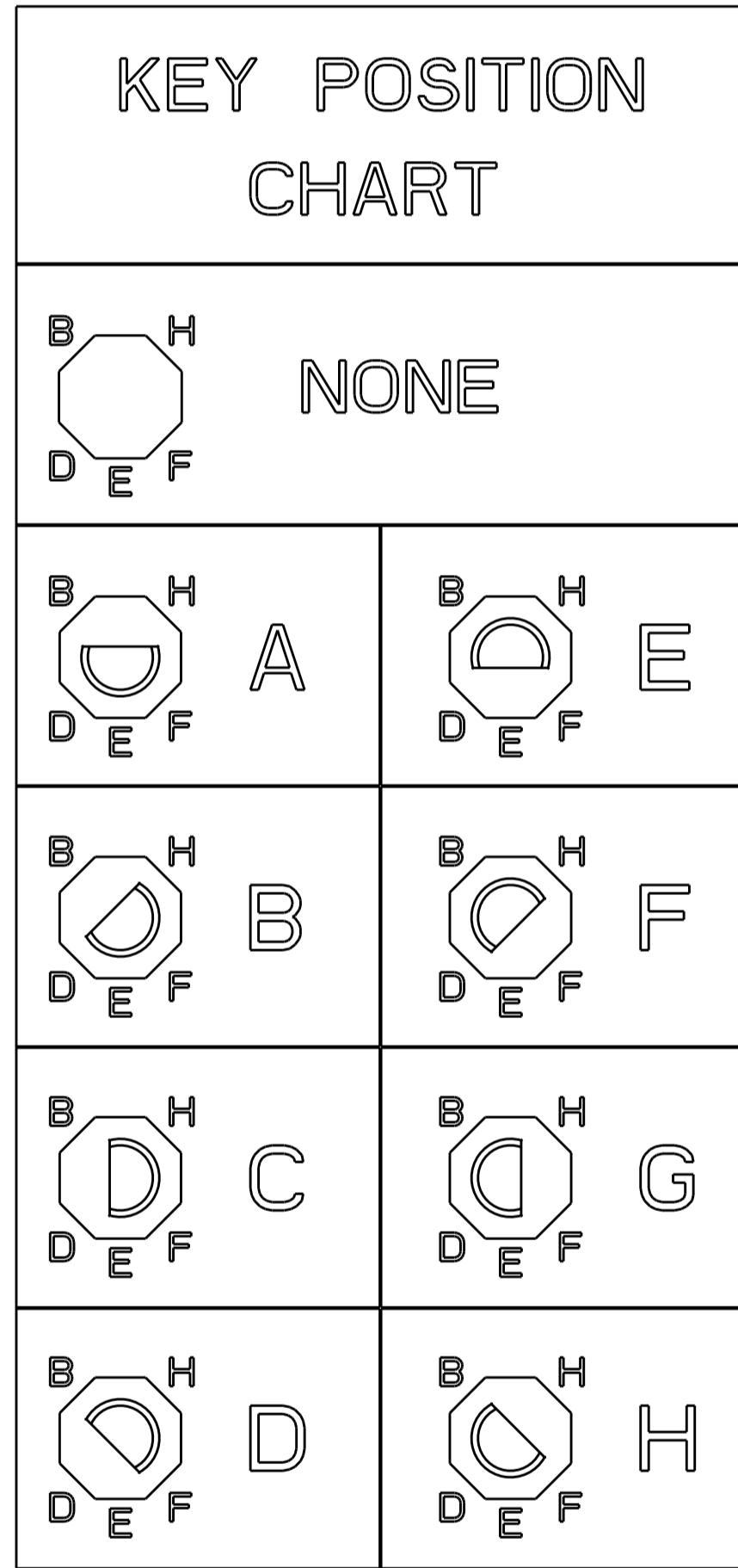


- 1 MATERIAL:  
HOUSING: LCP, GLASS FILLED, UL94V-0.  
TERMINALS: HIGH PERFORMANCE COPPER ALLOY.
- 2 FINISH:  
30μ" MIN GOLD IN CONTACT AREA. SELECTIVE TIN ON PCB TAILS, NICKEL OVERALL.
- 3. SCREWS PACKAGED IN END OF PACKAGING TUBE.
- 4 FOR GROUNDED GUIDE PIN USE  $\varnothing 3.56 \pm 0.08$  PTH,  $\varnothing 3.66$  DRILL, AND  $\varnothing 6.5$  PAD.
- 5. KEYING PIN SHOWN IN POSITION A, SEE KEYING CHART ON SHEET 2 FOR OTHER POSITIONS.



THIS DRAWING IS A CONTROLLED DOCUMENT.		DWN	J. K. SHOBER	26DEC11	TE Connectivity NAME IMPACT, 4 PAIR, 10 COLUMN, HEADER LEFT GUIDED, OPEN END WALL SIGNAL MODULE, 0.39 PTH SIZE CAGE CODE DRAWING NO A100779C=2007809 RESTRICTED TO
DIMENSIONS:		CHK	J. EARY	26DEC11	
mm		APVD	J. EARY	26DEC11	
0 PLC ± 1 PLC ±0.25 2 PLC ±0.13 3 PLC ± 4 PLC ± ANGLES ±		PRODUCT SPEC			
MATERIAL		WEIGHT			
FINISH		SEE TABLE			
CUSTOMER DRAWING		SCALE		6:1	SHEET 1 OF 2

LOC	DIST	REVISIONS					
		REV	LTN	DESCRIPTION	DATE	DMN	APVD
AD	00	-	-	SEE SHEET 1	-	-	-



	H	5.5	8-2007809-3
	H	4.9	8-2007809-2
	H	4.5	8-2007809-1
	G	5.5	7-2007809-3
	G	4.9	7-2007809-2
	G	4.5	7-2007809-1
	F	5.5	6-2007809-3
	F	4.9	6-2007809-2
	F	4.5	6-2007809-1
	E	5.5	5-2007809-3
	E	4.9	5-2007809-2
	E	4.5	5-2007809-1
	D	5.5	4-2007809-3
	D	4.9	4-2007809-2
	D	4.5	4-2007809-1
	C	5.5	3-2007809-3
	C	4.9	3-2007809-2
	C	4.5	3-2007809-1
	B	5.5	2-2007809-3
	B	4.9	2-2007809-2
	B	4.5	2-2007809-1
	A	5.5	1-2007809-3
	A	4.9	1-2007809-2
	A	4.5	1-2007809-1
	-	5.5	2007809-3
	-	4.9	2007809-2
	-	4.5	2007809-1
FINISH	KEY POSITION	DIM M	PART NUMBER

REFER TO WWW.TE.COM  
FOR PRODUCT AVAILABILITY

THIS DRAWING IS A CONTROLLED DOCUMENT.		DMN	J. K. SHOBER	26DECT1	 TE Connectivity
DIMENSIONS:		CHK	J. EARY	26DECT1	
mm	TOLERANCES UNLESS OTHERWISE SPECIFIED:	APVD	J. EARY	26DECT1	NAME
	0 PLC ± .25	PRODUCT SPEC		IMPACT, 4 PAIR, 10 COLUMN, HEADER	
	1 PLC ±0.13	APPLICATION SPEC		LEFT GUIDED, OPEN END WALL	
	2 PLC ± .1	MATERIAL		SIGNAL MODULE, 0.39 PTH	
	3 PLC ± .1	WEIGHT		SIZE	
	4 PLC ± .1	CUSTOMER DRAWING		CAGE CODE DRAWING NO	
	ANGLES ± .1	SCALE		DRAWING NO	
	FINISH SEE TABLE	5:1		A100779C=2007809	
		SHEET		RESTRICTED TO	
		2 OF 2		-	
		REV		B1	