



Chipsmall Limited consists of a professional team with an average of over 10 year of expertise in the distribution of electronic components. Based in Hongkong, we have already established firm and mutual-benefit business relationships with customers from,Europe,America and south Asia,supplying obsolete and hard-to-find components to meet their specific needs.

With the principle of “Quality Parts,Customers Priority,Honest Operation,and Considerate Service”,our business mainly focus on the distribution of electronic components. Line cards we deal with include Microchip,ALPS,ROHM,Xilinx,Pulse,ON,Everlight and Freescale. Main products comprise IC,Modules,Potentiometer,IC Socket,Relay,Connector.Our parts cover such applications as commercial,industrial, and automotives areas.

We are looking forward to setting up business relationship with you and hope to provide you with the best service and solution. Let us make a better world for our industry!



## Contact us

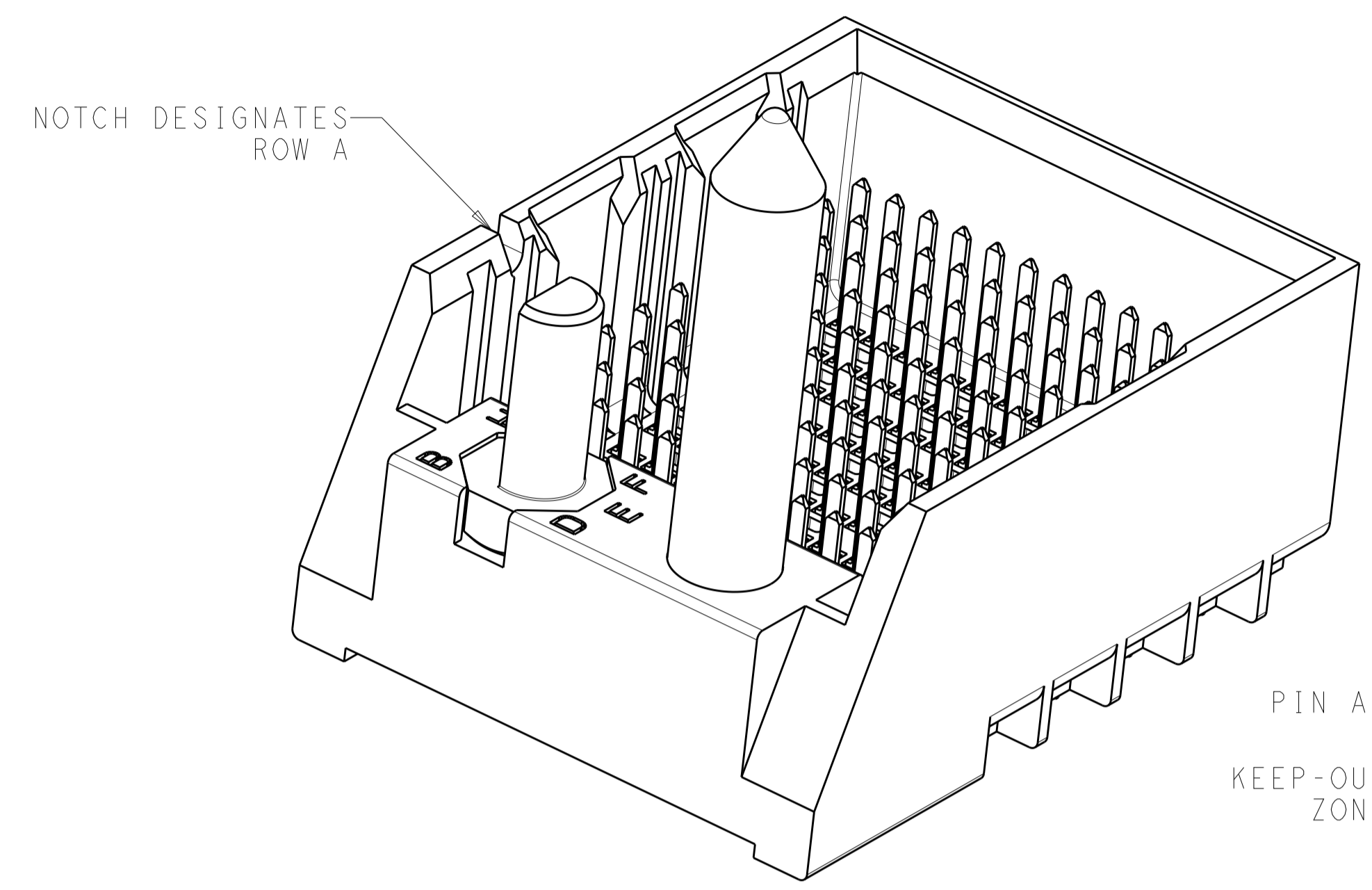
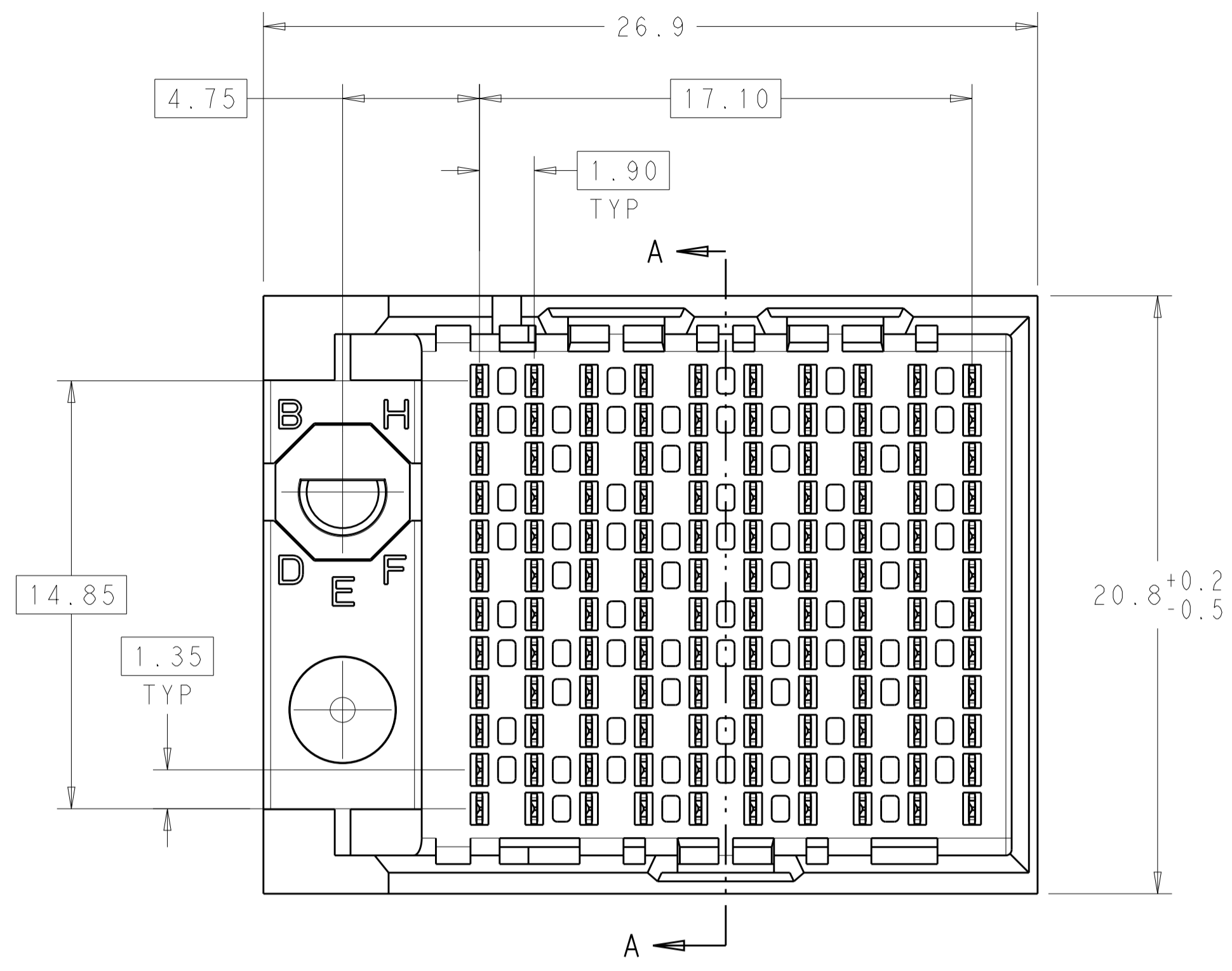
Tel: +86-755-8981 8866 Fax: +86-755-8427 6832

Email & Skype: info@chipsmall.com Web: www.chipsmall.com

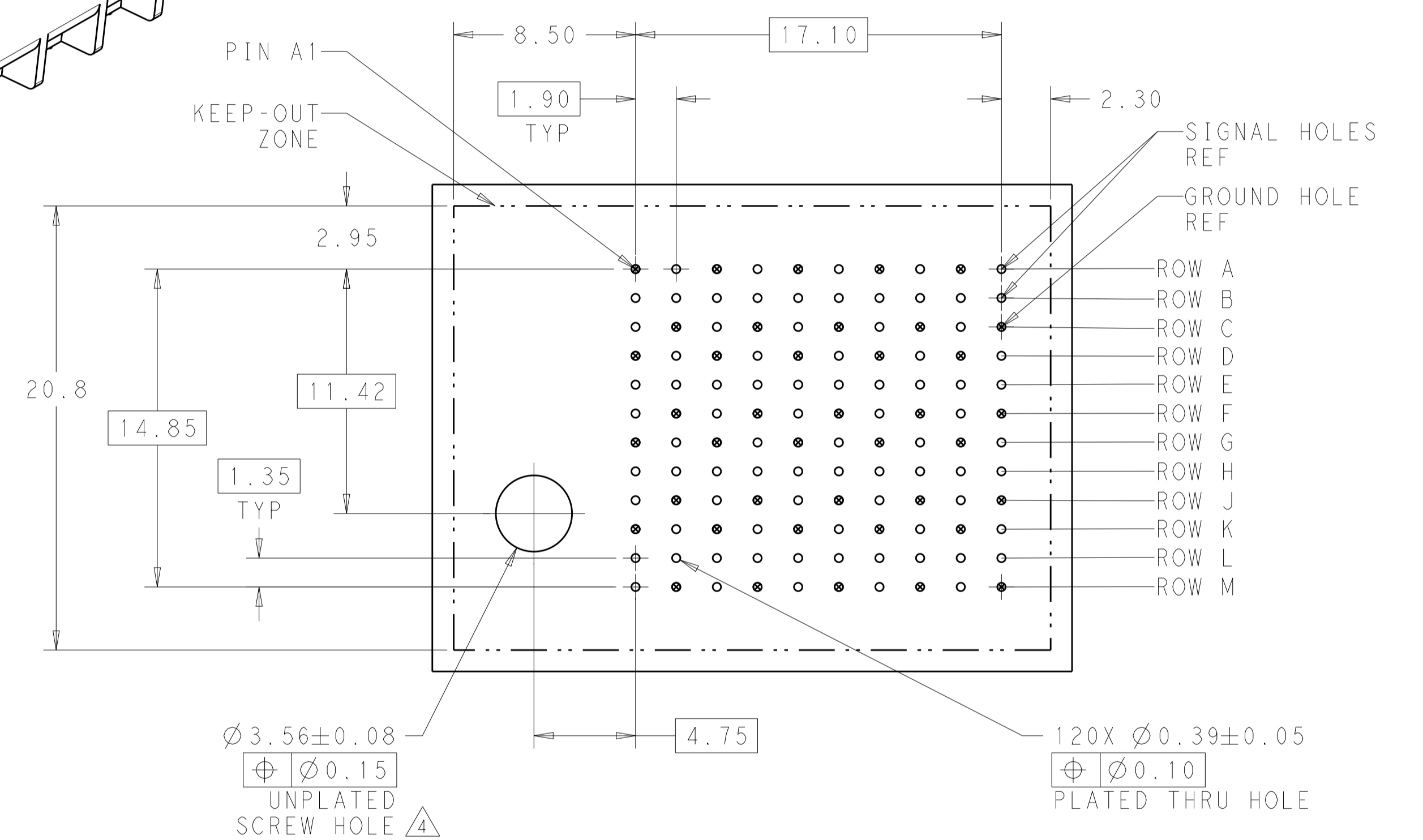
Address: A1208, Overseas Decoration Building, #122 Zhenhua RD., Futian, Shenzhen, China



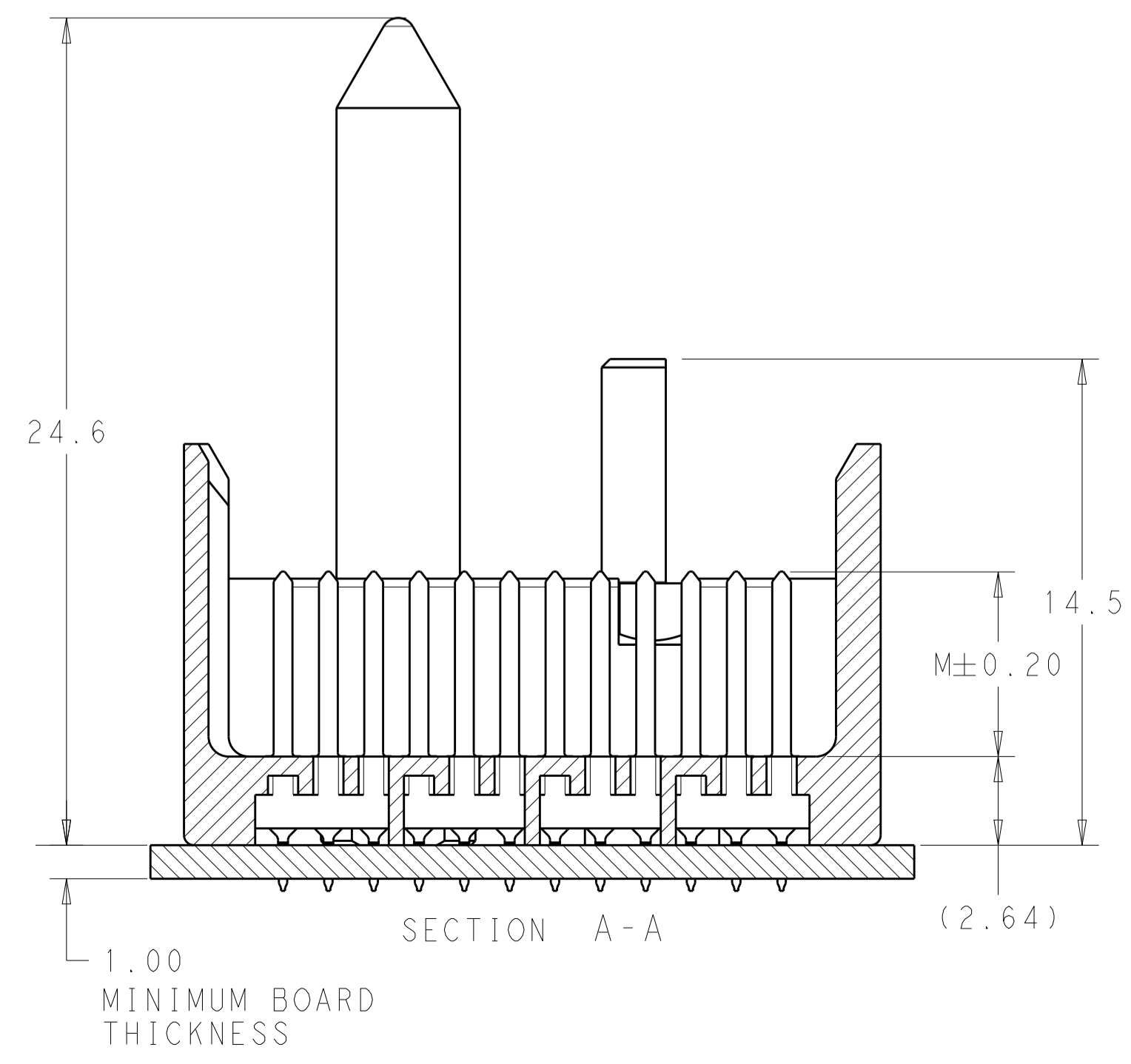
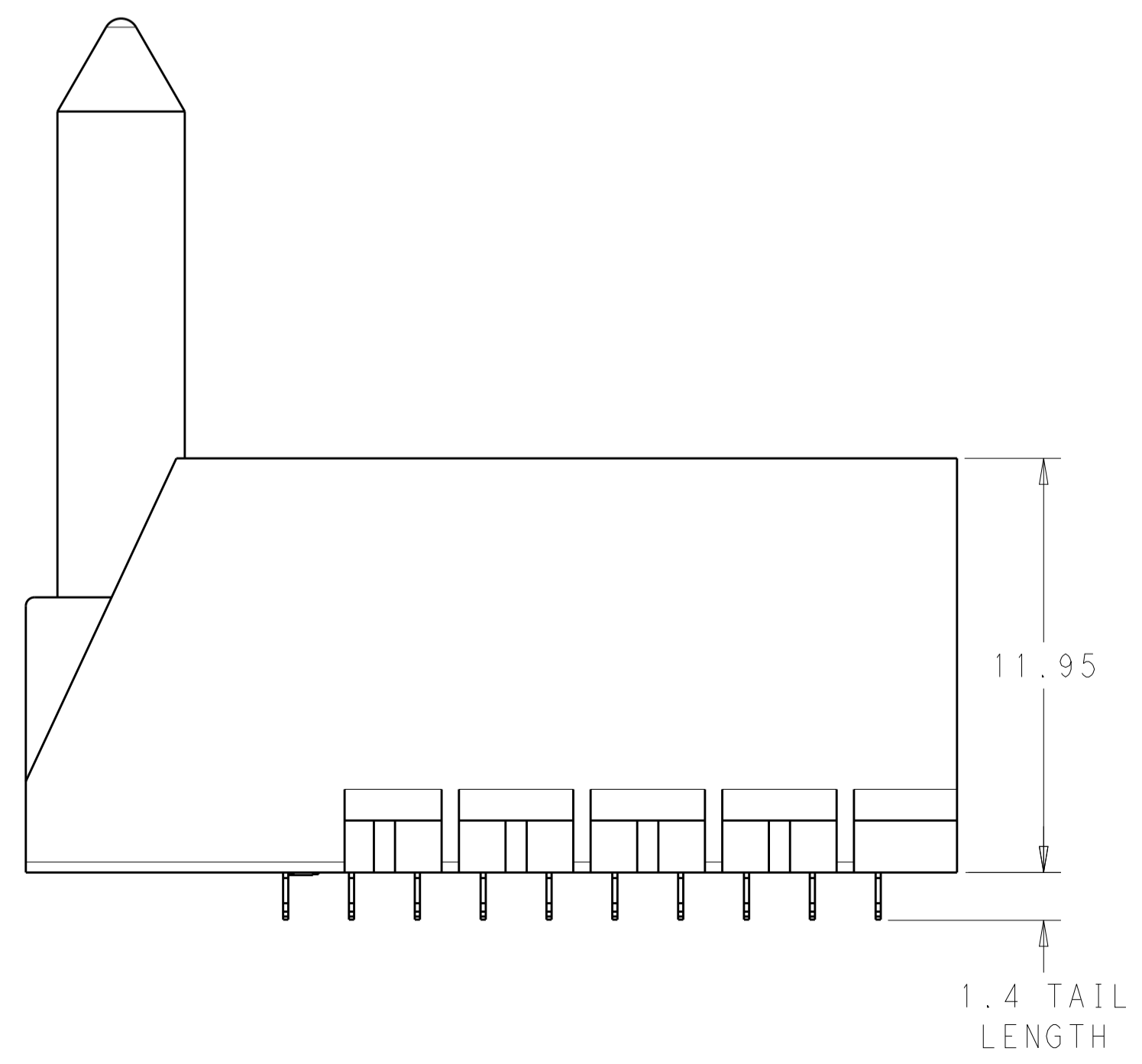
LOC		DIST		REVISIONS			
AD	00	P	LTN	DESCRIPTION	DATE	DWN	APVD
		B1		REVISED PER ECO-15-001494	04FEB2015	AP	DD



- ⚠ MATERIAL:  
HOUSING: LCP, GLASS FILLED, UL94V-0.  
TERMINALS: HIGH PERFORMANCE COPPER ALLOY.
- ⚠ FINISH:  
30μ" MIN GOLD IN CONTACT AREA. SELECTIVE TIN ON PCB TAILS, NICKEL OVERALL.
- 3. SCREWS PACKAGED IN END OF PACKAGING TUBE.
- ⚠ FOR GROUNDED GUIDE PIN USE Ø3.56±0.08 PTH, Ø3.66 DRILL, AND Ø6.5 PAD
- 5. KEYING PIN SHOWN IN POSITION A, SEE KEYING CHART ON SHEET 2 FOR OTHER POSITIONS.

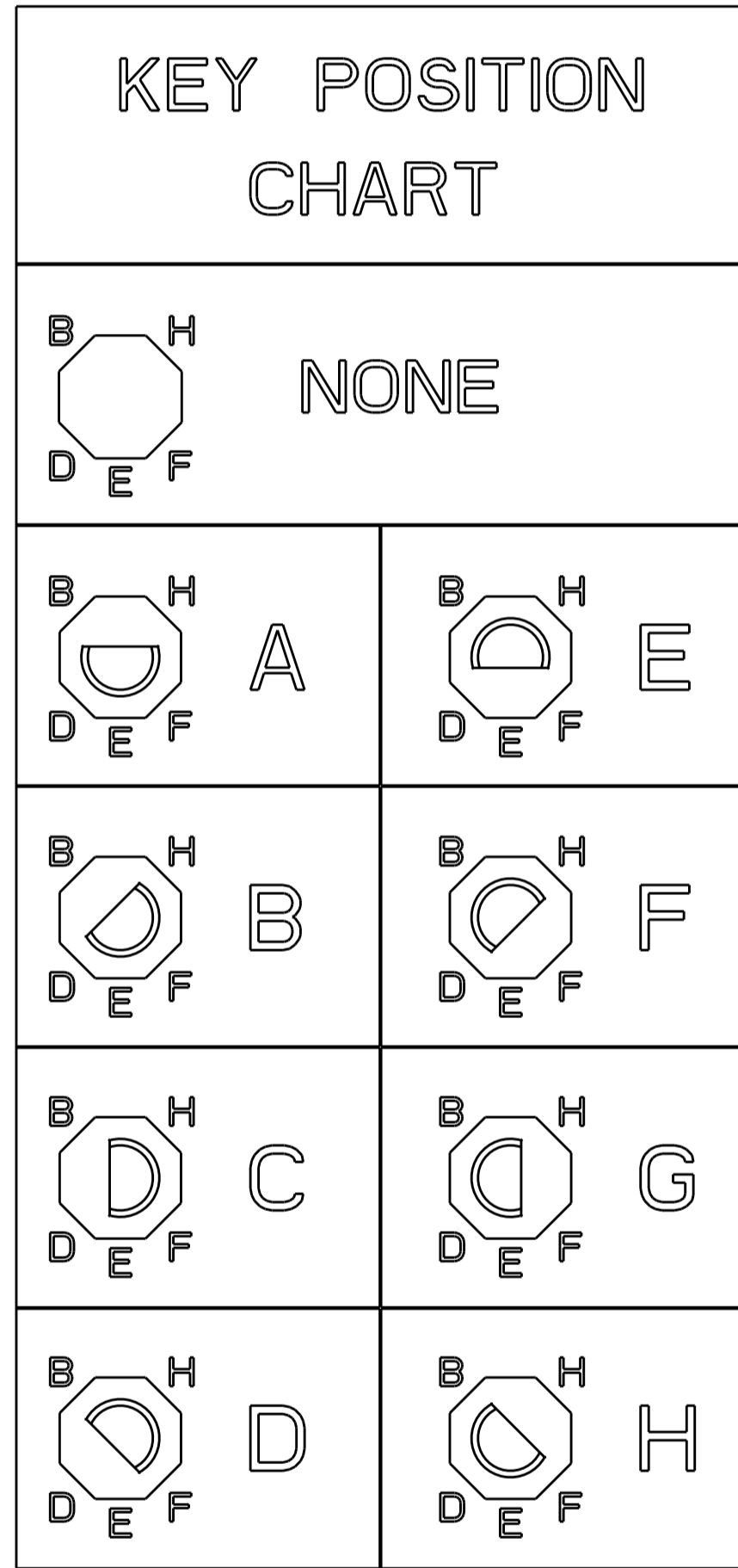


LEFT GUIDED BACKPLANE HOLE PATTERN (CONNECTOR SIDE)



THIS DRAWING IS A CONTROLLED DOCUMENT.		DWN J. K. SHOBER 27DEC11	TE Connectivity
DIMENSIONS: mm		CHK J. EARY 27DEC11	
TOLERANCES UNLESS OTHERWISE SPECIFIED:		APVD J. EARY 27DEC11	
0 PLC ±.25 1 PLC ±0.25 2 PLC ±0.13 3 PLC ±. 4 PLC ±. ANGLES ±.		NAME IMPACT, 4 PAIR, 10 COLUMN, HEADER LEFT GUIDED, RIGHT END WALL SIGNAL MODULE, 0.39 PTH SIZE CAGE CODE DRAWING NO. RESTRICTED TO A100779C=2007811 WEIGHT CUSTOMER DRAWING SCALE 6:1 SHEET 1 OF 2 REV B1	

LOC	DIST	REVISIONS			
		REV	DATE	BY	APPD
AD	00	-	SEE SHEET 1	-	-



	H	5.5	8-2007811-3
	H	4.9	8-2007811-2
	H	4.5	8-2007811-1
	G	5.5	7-2007811-3
	G	4.9	7-2007811-2
	G	4.5	7-2007811-1
	F	5.5	6-2007811-3
	F	4.9	6-2007811-2
	F	4.5	6-2007811-1
	E	5.5	5-2007811-3
	E	4.9	5-2007811-2
	E	4.5	5-2007811-1
	D	5.5	4-2007811-3
	D	4.9	4-2007811-2
	D	4.5	4-2007811-1
	C	5.5	3-2007811-3
	C	4.9	3-2007811-2
	C	4.5	3-2007811-1
	B	5.5	2-2007811-3
	B	4.9	2-2007811-2
	B	4.5	2-2007811-1
	A	5.5	1-2007811-3
	A	4.9	1-2007811-2
	A	4.5	1-2007811-1
	-	5.5	2007811-3
	-	4.9	2007811-2
	-	4.5	2007811-1
FINISH	KEY POSITION	DIM M	PART NUMBER

REFER TO WWW.TE.COM  
FOR PRODUCT AVAILABILITY

THIS DRAWING IS A CONTROLLED DOCUMENT.		OWN J. K. SHOBER 27DECT1	
DIMENSIONS: mm		CHK J. EARY 27DECT1	
TOLERANCES UNLESS OTHERWISE SPECIFIED:		APVD J. EARY 27DECT1	NAME IMPACT, 4 PAIR, 10 COLUMN, HEADER LEFT GUIDED, RIGHT END WALL SIGNAL MODULE, 0.39 PTH
0 PLC ±0.25		PRODUCT SPEC	
1 PLC ±0.13		APPLICATION SPEC	SIZE CAGE CODE DRAWING NO RESTRICTED TO
2 PLC ±		WEIGHT	A100779C=2007811
3 PLC ±		CUSTOMER DRAWING	SCALE 5:1 SHEET 2 OF 2 REV B1
4 PLC ±			
ANGLES ±			
FINISH SEE TABLE			