



Chipsmall Limited consists of a professional team with an average of over 10 year of expertise in the distribution of electronic components. Based in Hongkong, we have already established firm and mutual-benefit business relationships with customers from,Europe,America and south Asia,supplying obsolete and hard-to-find components to meet their specific needs.

With the principle of “Quality Parts,Customers Priority,Honest Operation,and Considerate Service”,our business mainly focus on the distribution of electronic components. Line cards we deal with include Microchip,ALPS,ROHM,Xilinx,Pulse,ON,Everlight and Freescale. Main products comprise IC,Modules,Potentiometer,IC Socket,Relay,Connector.Our parts cover such applications as commercial,industrial, and automotives areas.

We are looking forward to setting up business relationship with you and hope to provide you with the best service and solution. Let us make a better world for our industry!



Contact us

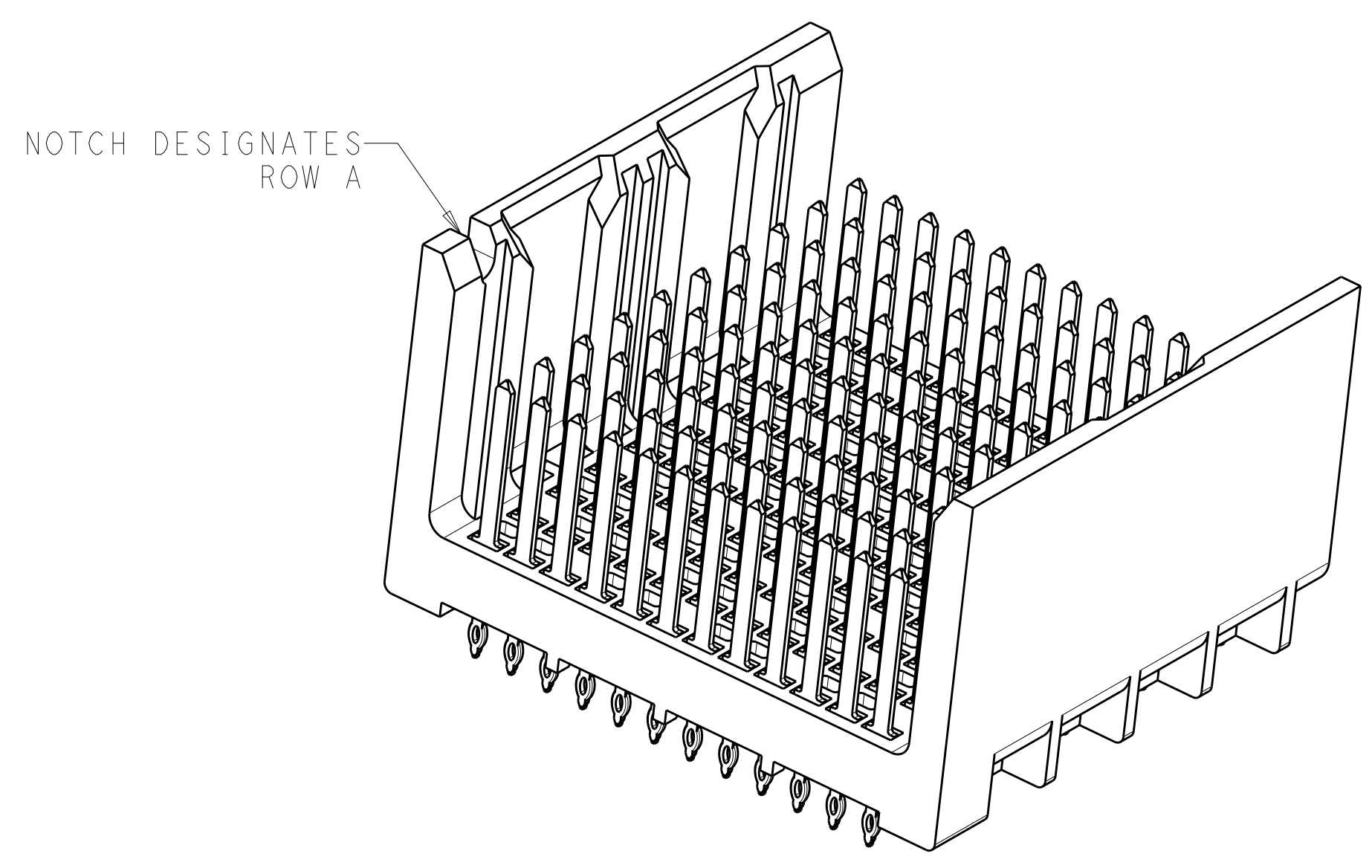
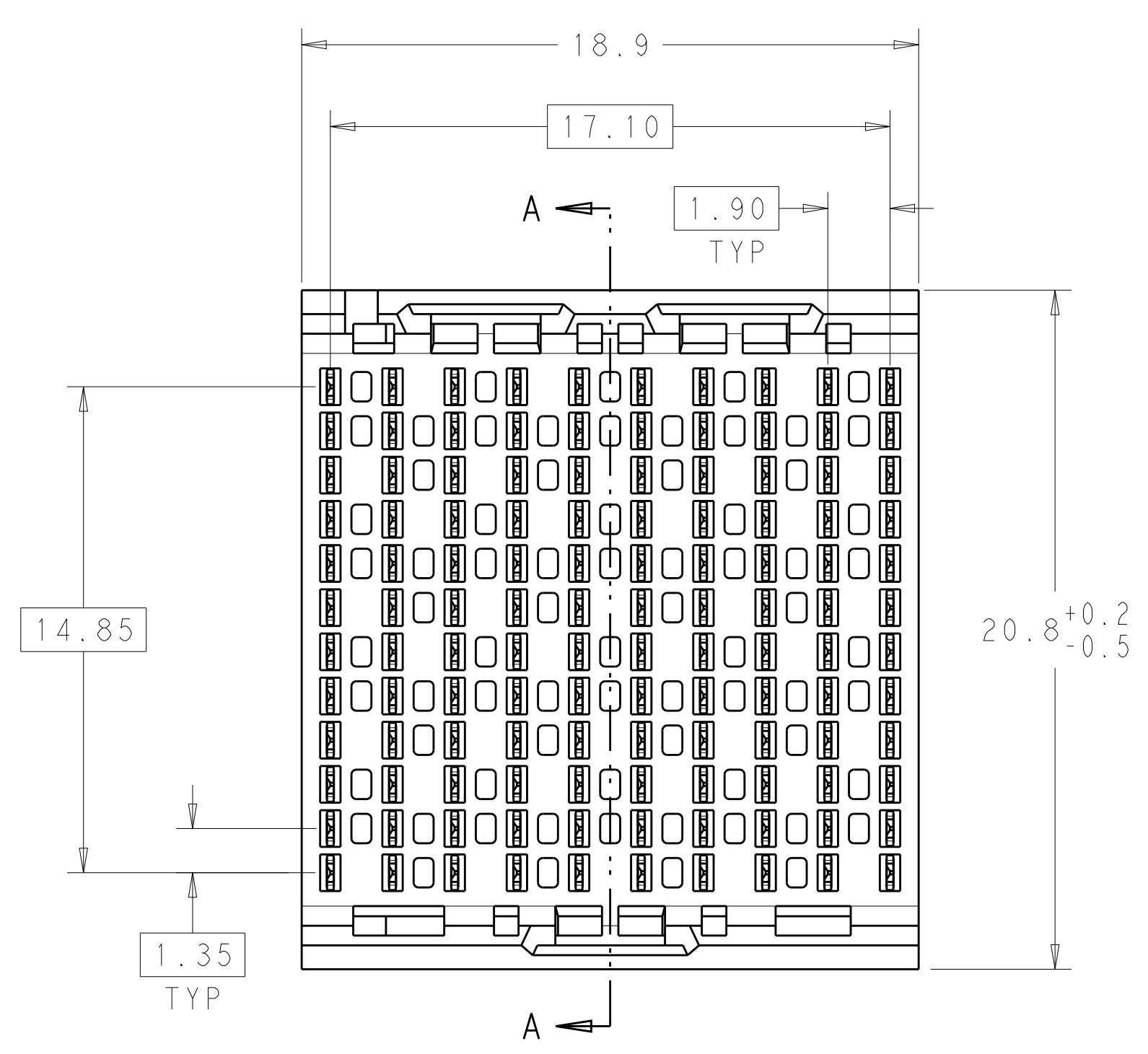
Tel: +86-755-8981 8866 Fax: +86-755-8427 6832

Email & Skype: info@chipsmall.com Web: www.chipsmall.com

Address: A1208, Overseas Decoration Building, #122 Zhenhua RD., Futian, Shenzhen, China

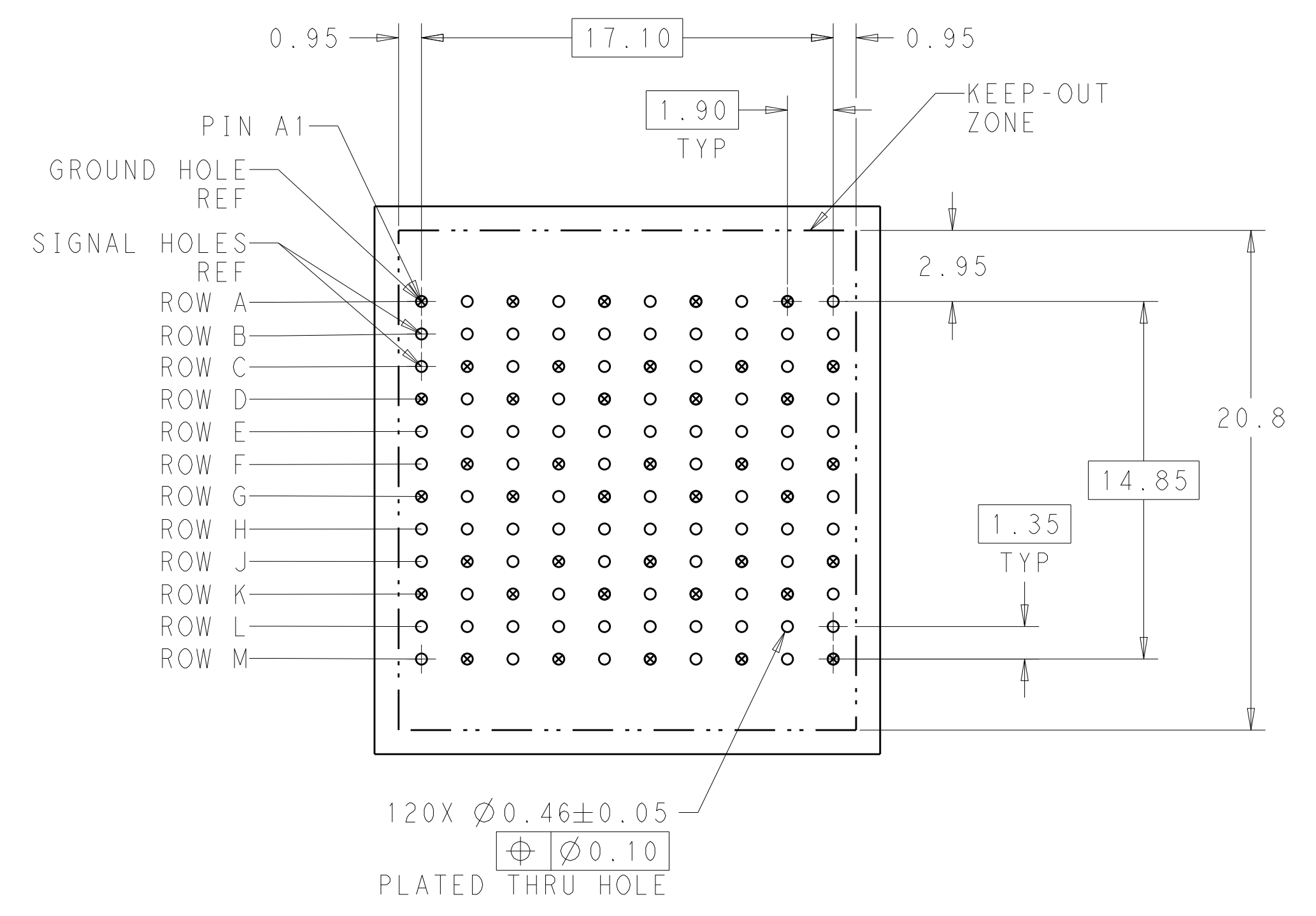


REVISIONS				
P.	LTN.	DESCRIPTION	DATE	APVD.
A1		REVISED PER ECO-15-001494	04FEB2015	AP DD

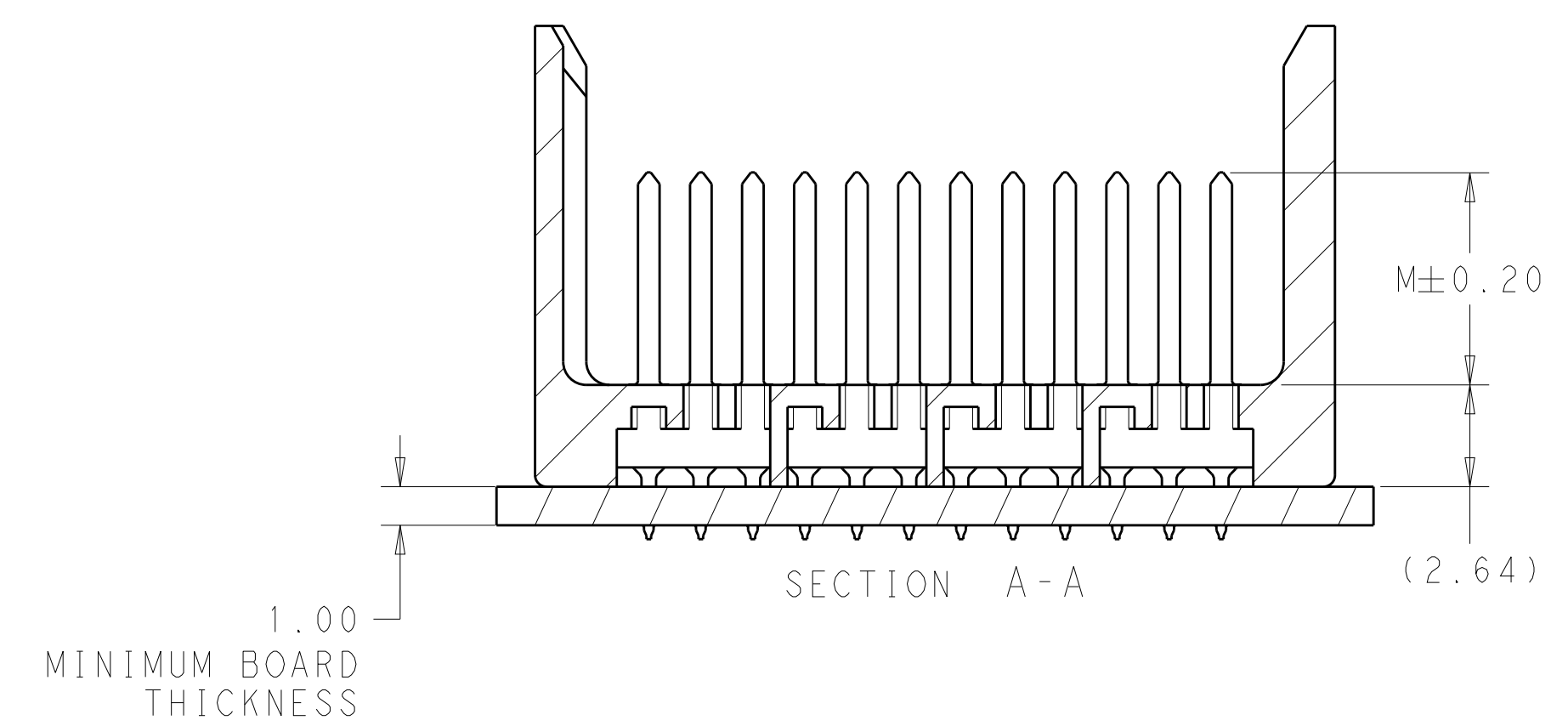
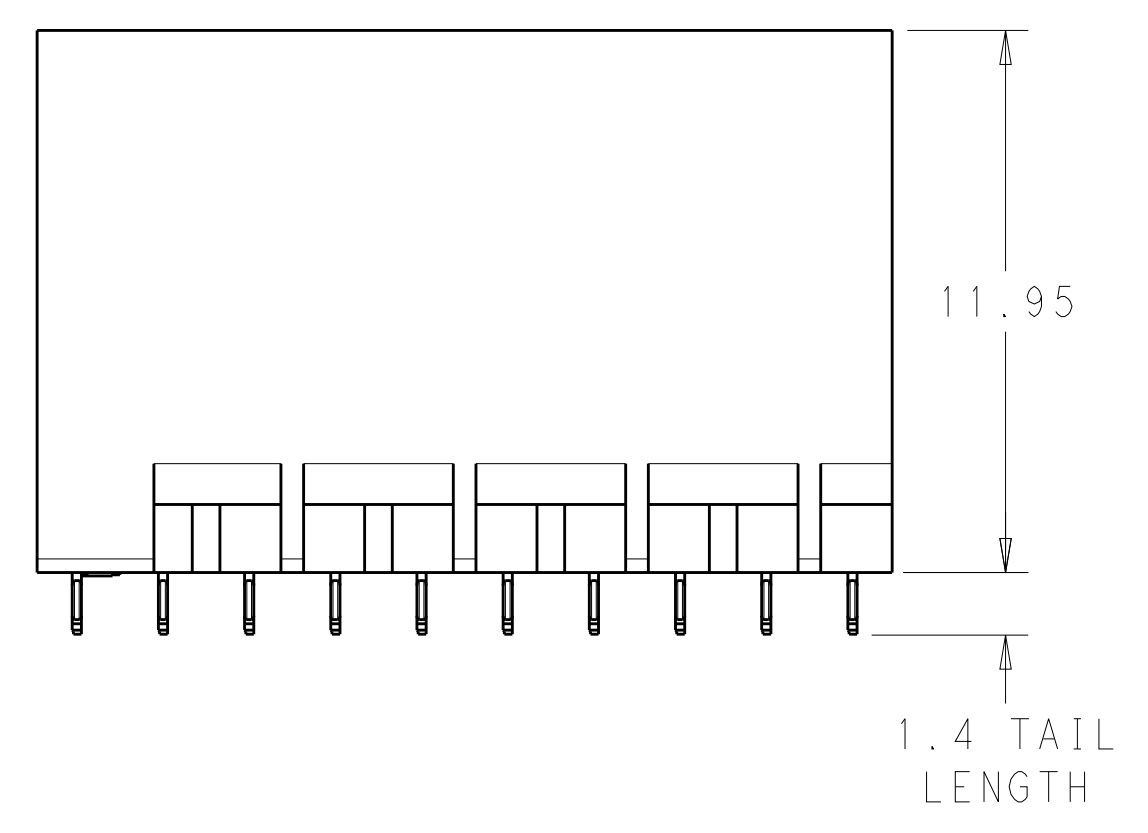


1 MATERIAL:
 HOUSING: LCP, GLASS FILLED, UL94V-0.
 TERMINALS: HIGH PERFORMANCE COPPER ALLOY.

2 FINISH:
 30µ" MIN GOLD IN CONTACT AREA. SELECTIVE TIN
 ON PCB TAILS, NICKEL OVERALL.



UNGUIDED
 BACKPLANE HOLE PATTERN
 (CONNECTOR SIDE)



THIS DRAWING IS A CONTROLLED DOCUMENT.		DWN J. K. SHOBER 22DEC2010 CHK J. EARY 22DEC2010 APVD J. EARY 22DEC2010	TE Connectivity
DIMENSIONS: mm 	TOLERANCES UNLESS OTHERWISE SPECIFIED: 0 PLC ± 1 PLC ±0.25 2 PLC ±0.13 3 PLC ± 4 PLC ± ANGLES ± FINISH SEE TABLE	NAME PRODUCT SPEC APPLICATION SPEC WEIGHT CUSTOMER DRAWING	

THIS DRAWING IS UNPUBLISHED.	RELEASED FOR PUBLICATION	20
© COPYRIGHT 20	BY -	ALL RIGHTS RESERVED.

REVISIONS					
P.	LTN	DESCRIPTION	DATE	DMN	APVD
-	-	SEE SHEET 1	-	-	-

	5.5	2007816-3
	4.9	2007816-2
	4.5	2007816-1
FINISH	DIM M	PART NUMBER

REFER TO WWW.TE.COM
FOR PRODUCT AVAILABILITY

THIS DRAWING IS A CONTROLLED DOCUMENT.		DMN J. K. SHOBER	22DEC2010		TE Connectivity
DIMENSIONS:		CHK J. EARY	22DEC2010		
mm	TOLERANCES UNLESS OTHERWISE SPECIFIED:	APVD J. EARY	22DEC2010	NAME	
	0 PLC ±	PRODUCT SPEC		IMPACT, 4 PAIR, 10 COLUMN, HEADER	
	1 PLC ±0.25	APPLICATION SPEC		UNGUIDED, OPEN END WALL	
	2 PLC ±0.13	RESTRICTED TO		SIZE	
	3 PLC ±	A1		CAGE CODE	
	4 PLC ±	00779		DRAWING NO	
	ANGLES ±	C=2007816		RESTRICTED TO	
MATERIAL	FINISH	WEIGHT		A1	
-	SEE TABLE	CUSTOMER DRAWING		SCALE	
-	-	5:1		SHEET 2 OF 2	
				REV A1	