



Chipsmall Limited consists of a professional team with an average of over 10 year of expertise in the distribution of electronic components. Based in Hongkong, we have already established firm and mutual-benefit business relationships with customers from,Europe,America and south Asia,supplying obsolete and hard-to-find components to meet their specific needs.

With the principle of "Quality Parts,Customers Priority,Honest Operation,and Considerate Service",our business mainly focus on the distribution of electronic components. Line cards we deal with include Microchip,ALPS,ROHM,Xilinx,Pulse,ON,Everlight and Freescale. Main products comprise IC,Modules,Potentiometer,IC Socket,Relay,Connector.Our parts cover such applications as commercial,industrial, and automotives areas.

We are looking forward to setting up business relationship with you and hope to provide you with the best service and solution. Let us make a better world for our industry!



Contact us

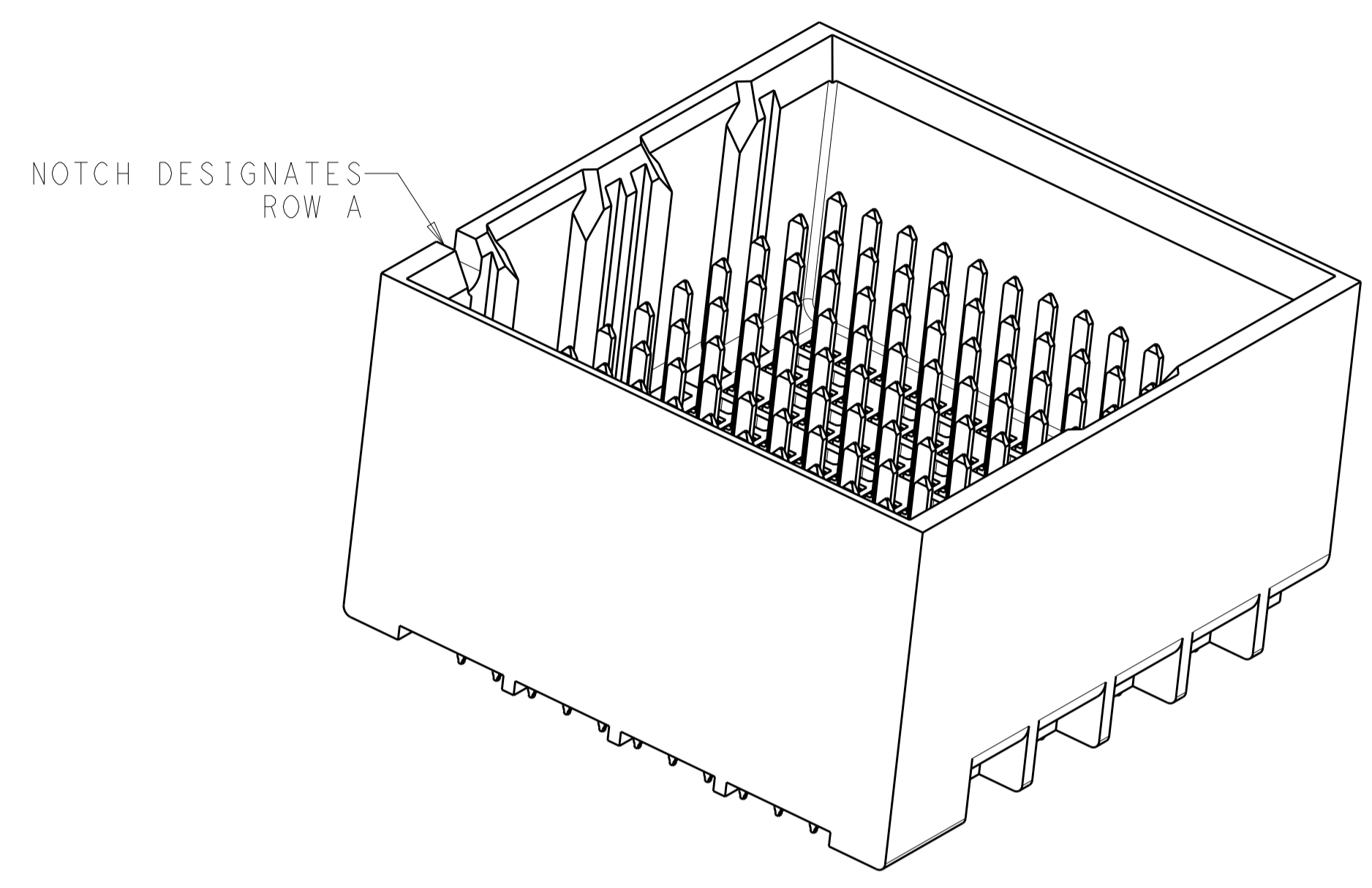
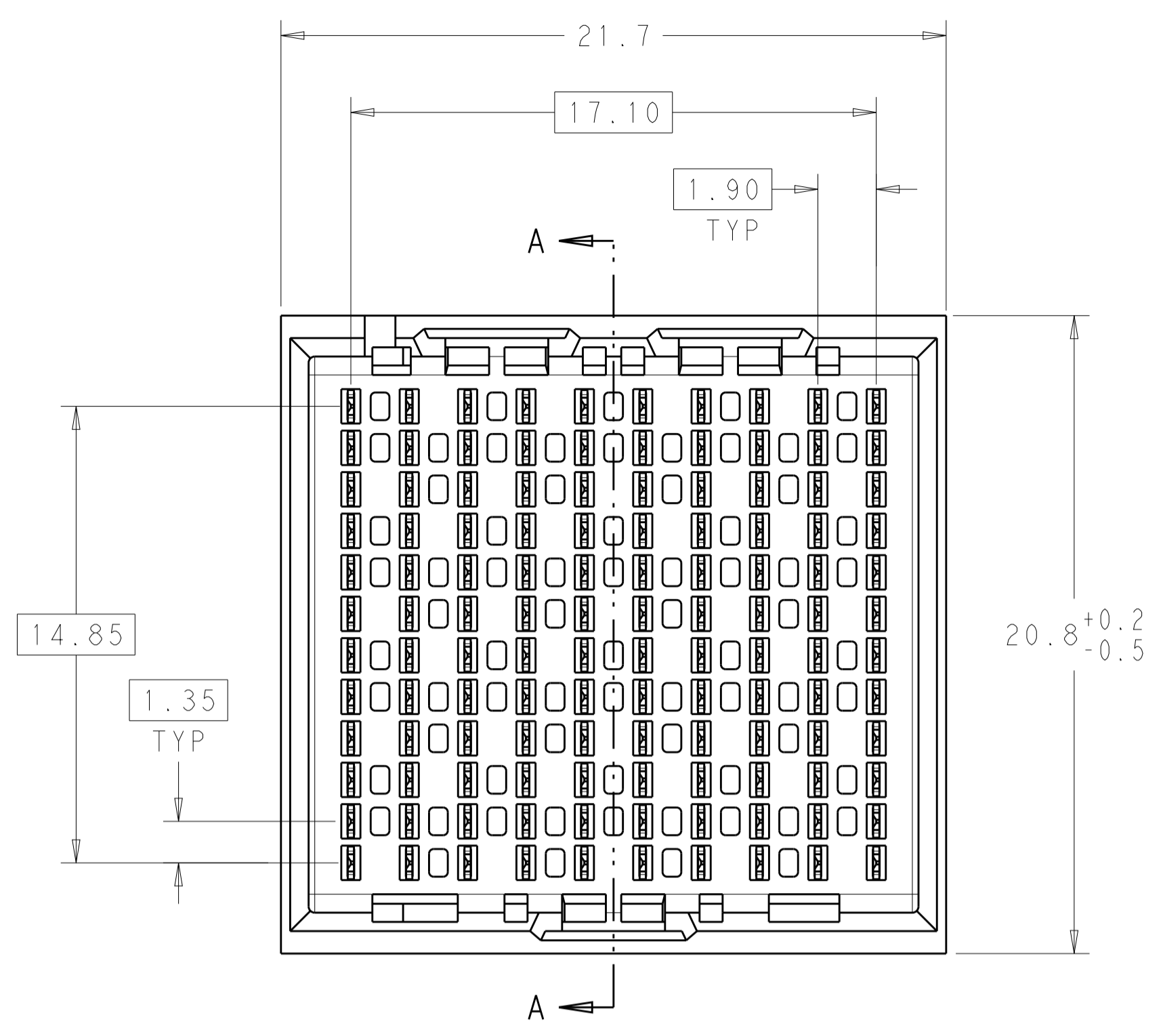
Tel: +86-755-8981 8866 Fax: +86-755-8427 6832

Email & Skype: info@chipsmall.com Web: www.chipsmall.com

Address: A1208, Overseas Decoration Building, #122 Zhenhua RD., Futian, Shenzhen, China

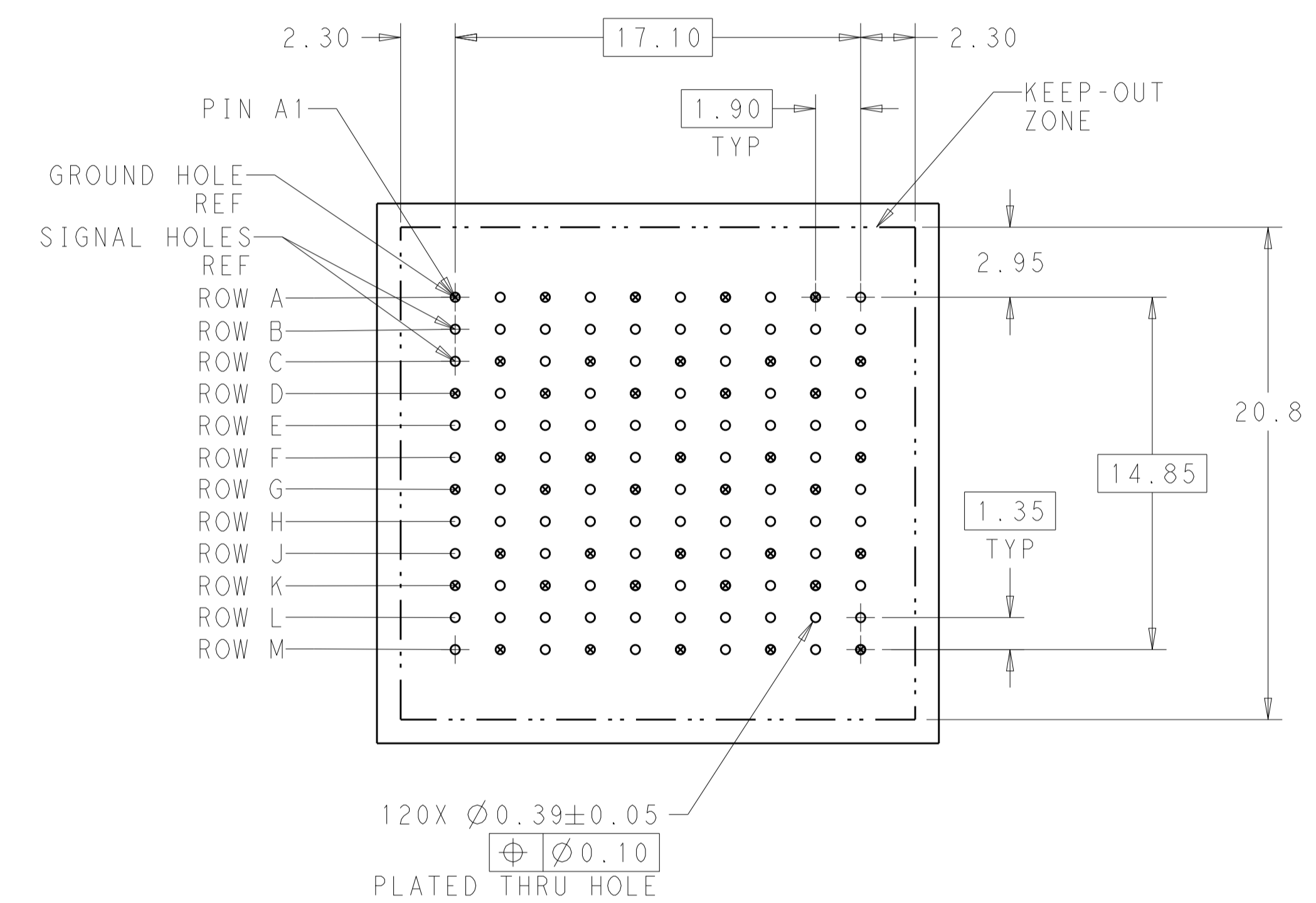


LOC		DIST		REVISIONS			
AD	00	P	LTN	DESCRIPTION	DATE	DWN	APVD
		B1		REVISED PER ECO-15-001494	05FEB2015	AP	DD

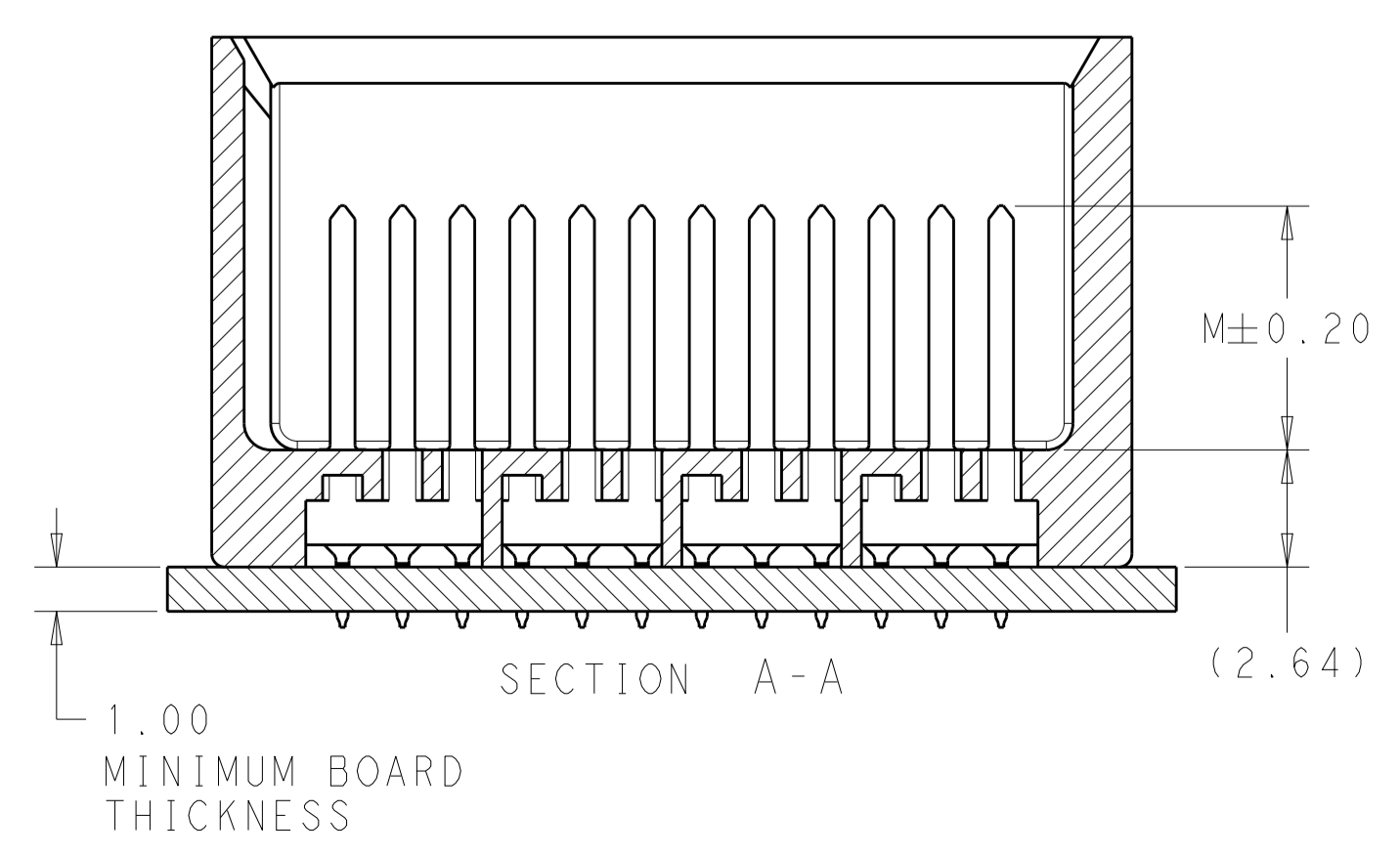
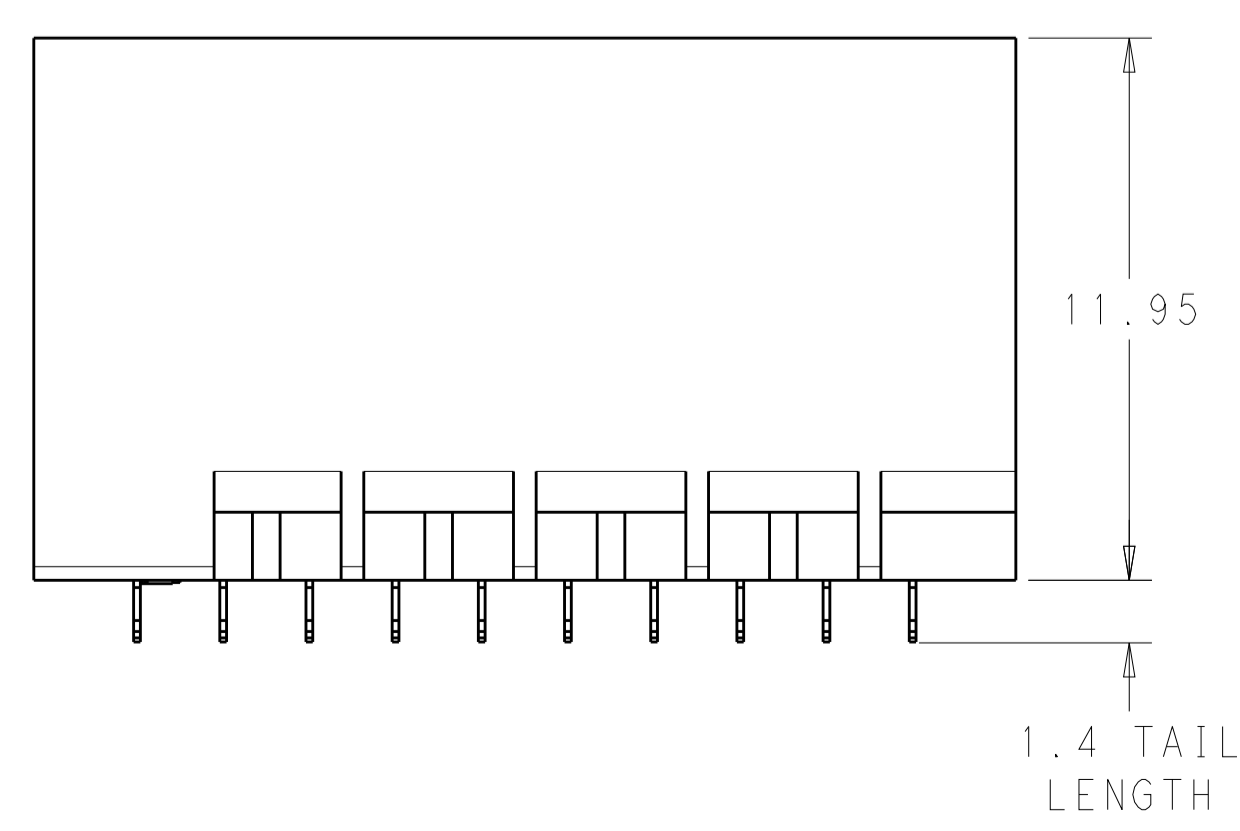


⚠ MATERIAL:
HOUSING: LCP, GLASS FILLED, UL94V-0.
TERMINALS: HIGH PERFORMANCE COPPER ALLOY.

⚠ FINISH:
30μ" MIN GOLD IN CONTACT AREA. SELECTIVE TIN ON PCB TAILS, NICKEL OVERALL.



UNGUIDED BACKPLANE HOLE PATTERN (CONNECTOR SIDE)



THIS DRAWING IS A CONTROLLED DOCUMENT.		DWN	J. K. SHOBER	13JAN2011	 TE Connectivity
DIMENSIONS:		CHK	J. EARY	13JAN2011	
mm	0 PLC ±	APVD	J. EARY	13JAN2011	NAME
	1 PLC ±0.25	PRODUCT SPEC			IMPACT, 4 PAIR, 10 COLUMN, HEADER UNGUIDED, DUAL END WALL SIGNAL MODULE, 0.39 PTH
	2 PLC ±0.13	APPLICATION SPEC			
	3 PLC ±	SIZE			
	4 PLC ±	CAGE CODE			
MATERIAL		FINISH		WEIGHT	RESTRICTED TO
SEE TABLE		SEE TABLE		A100779	©=2007822
		CUSTOMER DRAWING		SCALE	SHEET
				6:1	1 OF 2
					REV
					B1

THIS DRAWING IS UNPUBLISHED.	RELEASED FOR PUBLICATION	20
© COPYRIGHT 20	ALL RIGHTS RESERVED.	

LOC	DIST	REVISIONS					
		P	LTN	DESCRIPTION	DATE	DWN	APVD
AD	00	-	-	SEE SHEET 1	-	-	-

	5.5	2007822-3
	4.9	2007822-2
	4.5	2007822-1
FINISH	DIM M	PART NUMBER

REFER TO WWW.TE.COM
FOR PRODUCT AVAILABILITY

THIS DRAWING IS A CONTROLLED DOCUMENT.		DWN	J. K. SHOBER	13JAN2011		TE Connectivity
		CHK	J. EARY	13JAN2011		
DIMENSIONS:		TOLERANCES UNLESS OTHERWISE SPECIFIED:		NAME		IMPACT, 4 PAIR, 10 COLUMN, HEADER
mm	0 PLC ±	1 PLC ±0.25	2 PLC ±0.13	3 PLC ±	PRODUCT SPEC	UNGUIDED, DUAL END WALL
	4 PLC ±	ANGLES ±	FINISH SEE TABLE	APVD	J. EARY	13JAN2011
MATERIAL	-	WEIGHT	-	APPLICATION SPEC	-	RESTRICTED TO
		CUSTOMER DRAWING	SCALE	5:1	SHEET	2 OF 2
					REV	B1