



Chipsmall Limited consists of a professional team with an average of over 10 year of expertise in the distribution of electronic components. Based in Hongkong, we have already established firm and mutual-benefit business relationships with customers from,Europe,America and south Asia,supplying obsolete and hard-to-find components to meet their specific needs.

With the principle of “Quality Parts,Customers Priority,Honest Operation,and Considerate Service”,our business mainly focus on the distribution of electronic components. Line cards we deal with include Microchip,ALPS,ROHM,Xilinx,Pulse,ON,Everlight and Freescale. Main products comprise IC,Modules,Potentiometer,IC Socket,Relay,Connector.Our parts cover such applications as commercial,industrial, and automotives areas.

We are looking forward to setting up business relationship with you and hope to provide you with the best service and solution. Let us make a better world for our industry!



Contact us

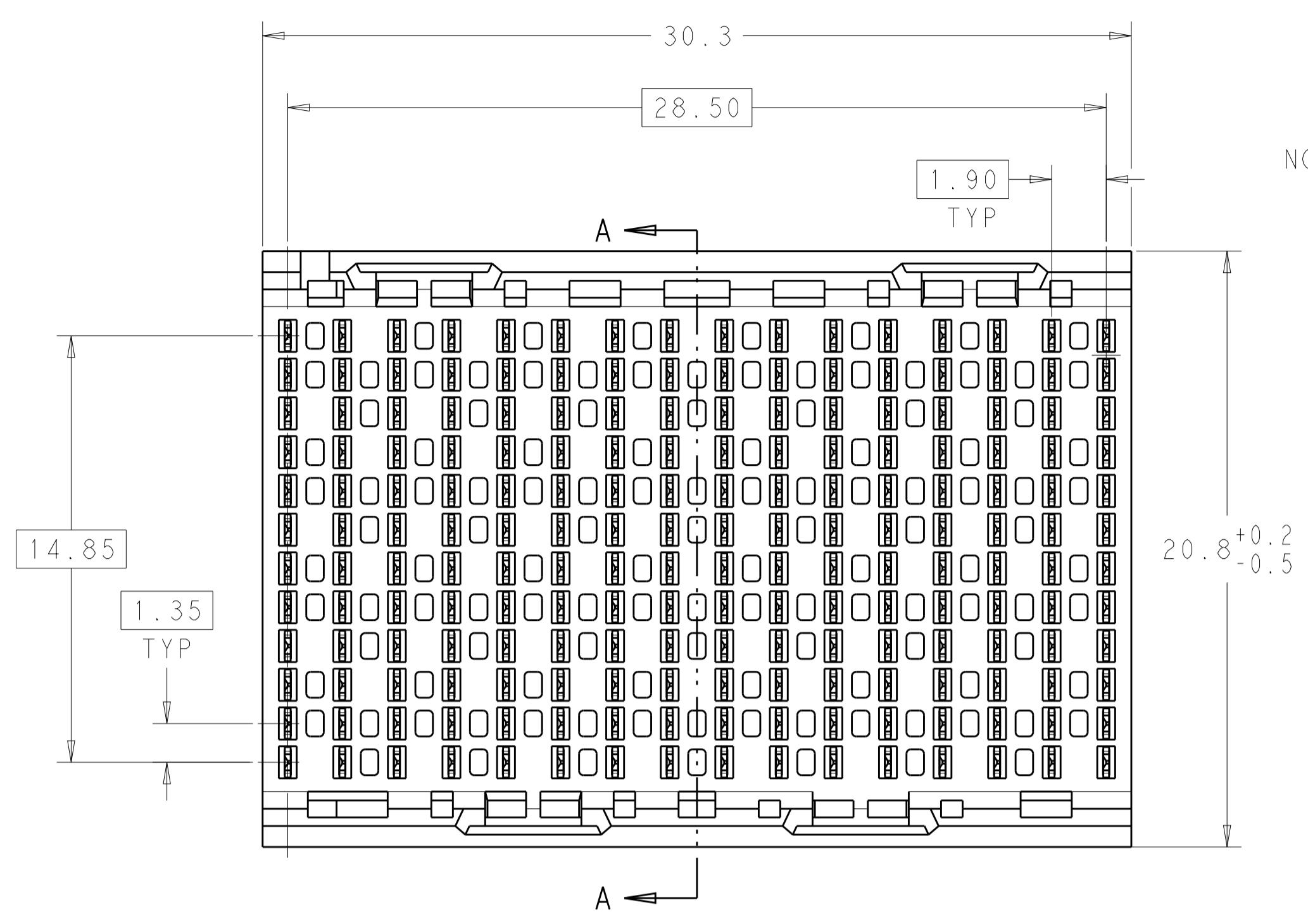
Tel: +86-755-8981 8866 Fax: +86-755-8427 6832

Email & Skype: info@chipsmall.com Web: www.chipsmall.com

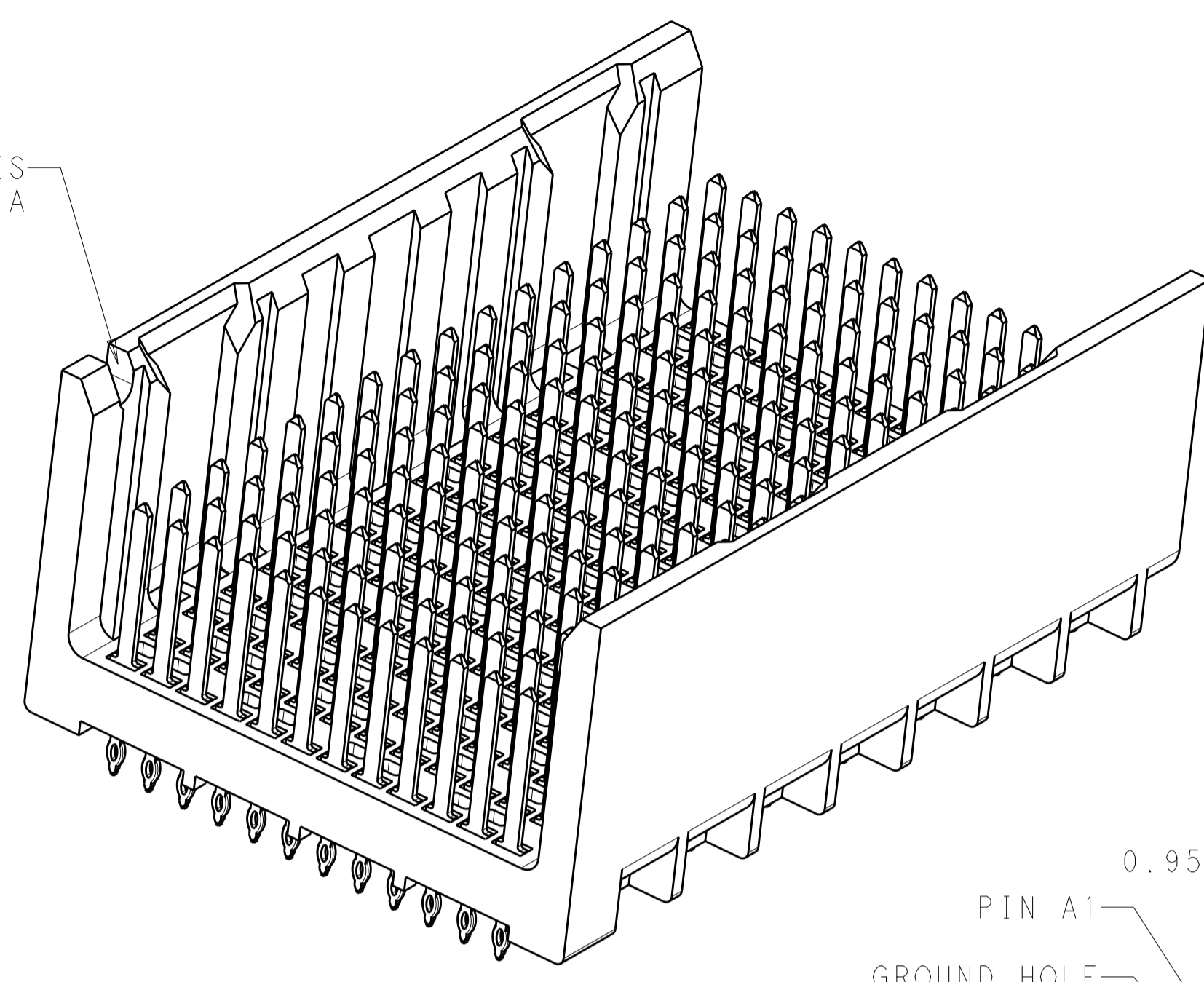
Address: A1208, Overseas Decoration Building, #122 Zhenhua RD., Futian, Shenzhen, China



LOC		DIST		REVISIONS			
AD	00	P	LTN	DESCRIPTION	DATE	DWN	APVD
		A		REVISED PER ECO-15-001494	05FEB2015	AP	DD

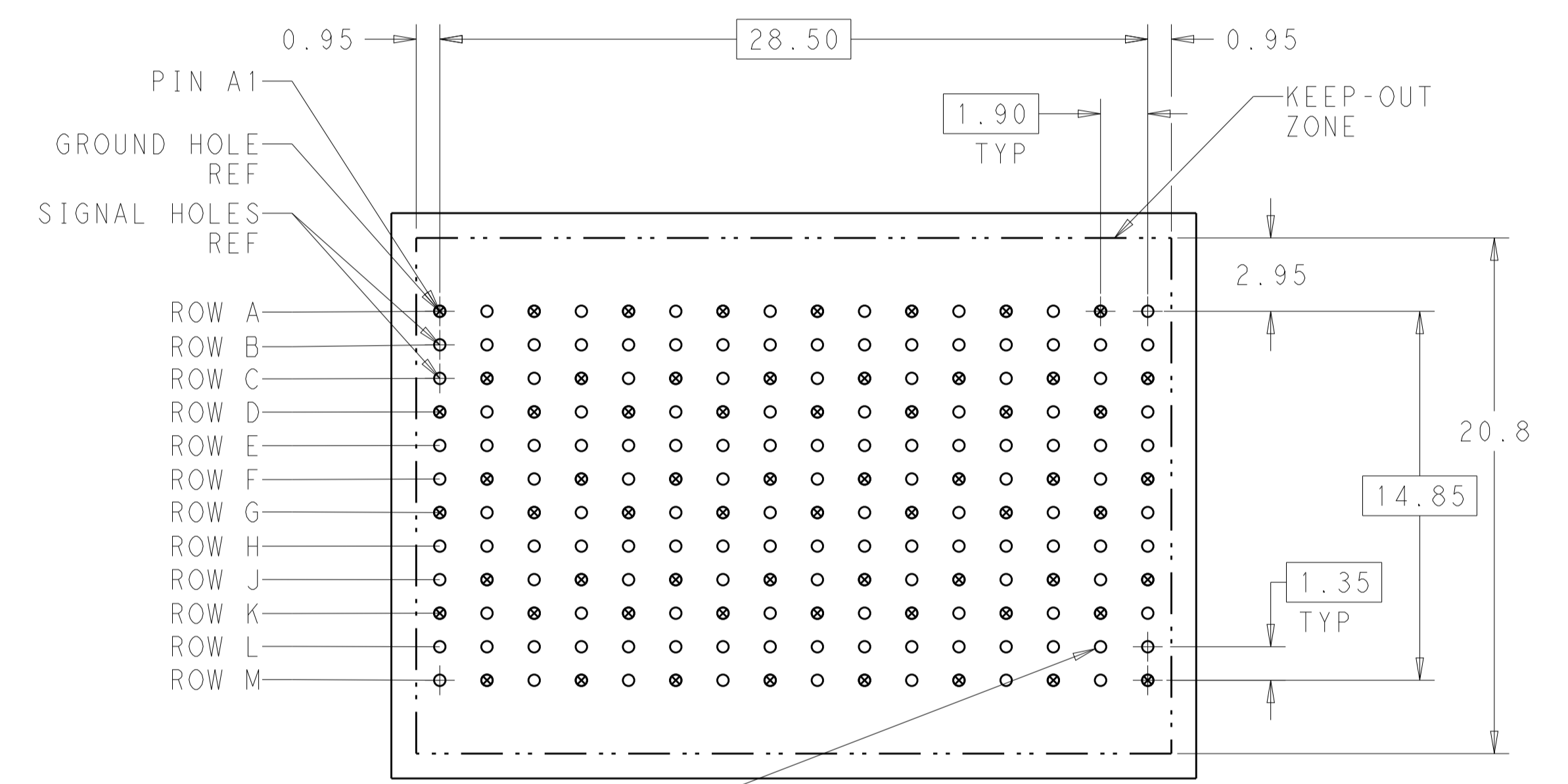


NOTCH DESIGNATES ROW A



⚠ MATERIAL:
 HOUSING: LCP, GLASS FILLED, UL94V-0.
 TERMINALS: HIGH PERFORMANCE COPPER ALLOY.

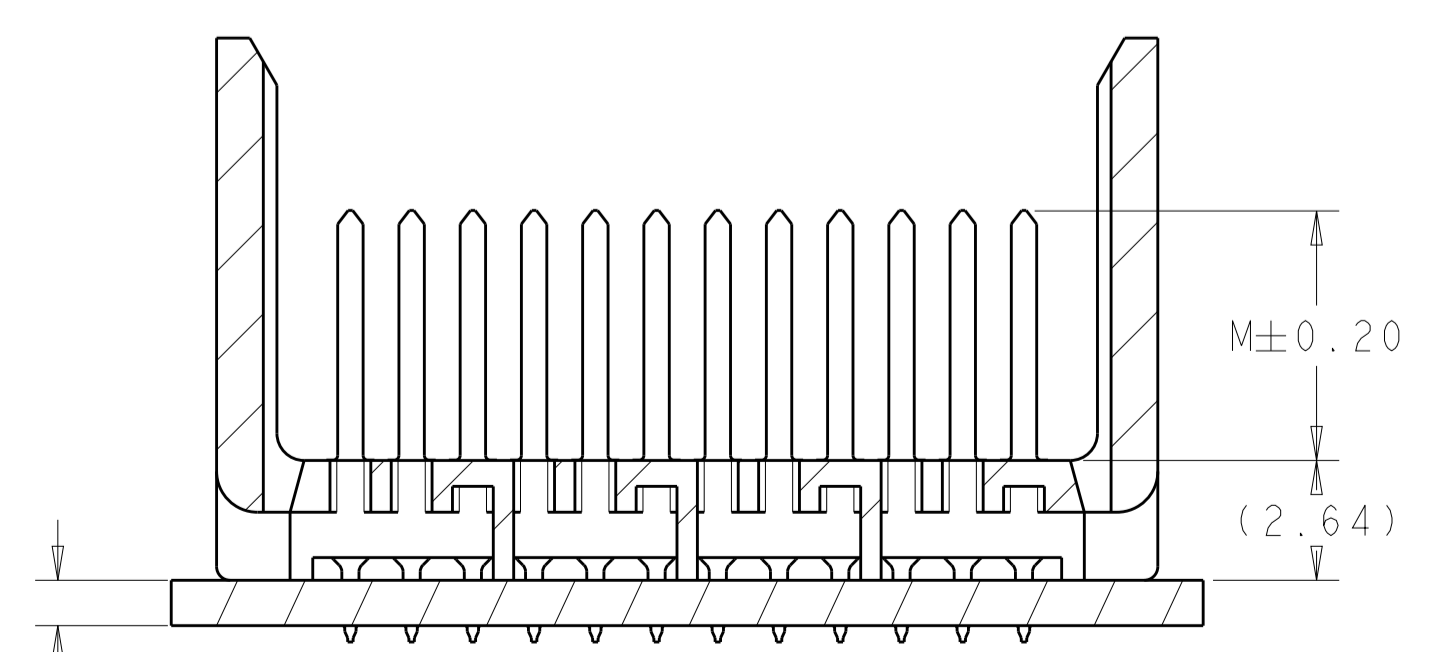
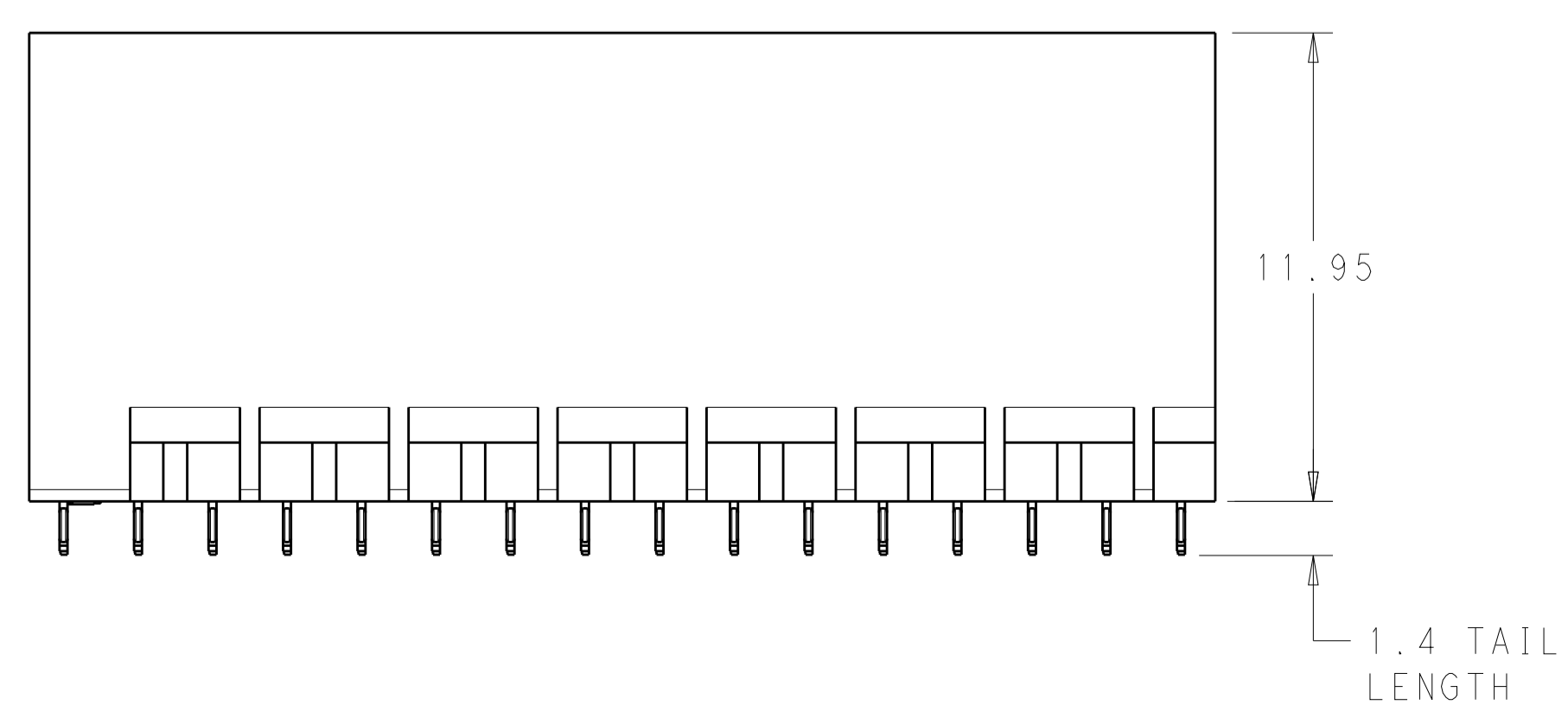
⚠ FINISH:
 30μ" MIN GOLD IN CONTACT AREA. SELECTIVE TIN
 ON PCB TAILS, NICKEL OVERALL.



192X $\varnothing 0.46 \pm 0.05$
 PLATED THRU HOLE

192X $\varnothing 0.55 \pm 0.013$
 DRILL HOLE
 $\varnothing 0.10$

UNGUIDED
 BACKPLANE HOLE PATTERN
 (CONNECTOR SIDE)



SECTION A-A

THIS DRAWING IS A CONTROLLED DOCUMENT.		DWN: KIRAN HOLAL 09JAN2013	TE Connectivity
DIMENSIONS: mm		CHK: D. DIXON 09JAN2013	
TOLERANCES UNLESS OTHERWISE SPECIFIED:		APVD: D. DIXON 09JAN2013	NAME: IMPACT, 4 PAIR, 16 COLUMN, HEADER
0 PLC	±	PRODUCT SPEC	UNGUIDED, OPEN END WALL
1 PLC	±0.25	APPLICATION SPEC	SIGNAL MODULE, 0.46 PTH
2 PLC	±0.13	SIZE: CAGE CODE DRAWING NO	RESTRICTED TO
3 PLC	±	WEIGHT	A100779C=2007832
4 PLC	±	Customer Drawing	SCALE: 6:1 SHEET 1 OF 2 REV A
ANGLES	±		
MATERIAL	FINISH: SEE TABLE		

THIS DRAWING IS UNPUBLISHED.	RELEASED FOR PUBLICATION	20
© COPYRIGHT 20	BY -	ALL RIGHTS RESERVED.

LOC	DIST	REVISIONS					
		P	LTN	DESCRIPTION	DATE	DWN	APVD
AD	00	-	-	SEE SHEET 1	-	-	-

	DIM M	PART NUMBER
	5.5	2007832-3
	4.9	2007832-2
	4.5	2007832-1
FINISH	DIM M	PART NUMBER

REFER TO WWW.TE.COM
FOR PRODUCT AVAILABILITY

THIS DRAWING IS A CONTROLLED DOCUMENT.		DWN KIRAN HOLHL 09JAN2013	
		CHK D.DIXON 09JAN2013	
DIMENSIONS:		APVD D.DIXON 09JAN2013	NAME IMPACT, 4 PAIR, 16 COLUMN, HEADER UNGUIDED, OPEN END WALL SIGNAL MODULE, 0.46 PTH
mm		PRODUCT SPEC	
TOLERANCES UNLESS OTHERWISE SPECIFIED:		APPLICATION SPEC	SIZE A100779
0 PLC ±		RESTRICTED TO	
1 PLC ±0.25		WEIGHT	
2 PLC ±0.13		Customer Drawing	SCALE 5:1 SHEET 2 OF 2 REV A
3 PLC ±			
4 PLC ±			
ANGLES ±			
FINISH SEE TABLE			