



Chipsmall Limited consists of a professional team with an average of over 10 year of expertise in the distribution of electronic components. Based in Hongkong, we have already established firm and mutual-benefit business relationships with customers from,Europe,America and south Asia,supplying obsolete and hard-to-find components to meet their specific needs.

With the principle of “Quality Parts,Customers Priority,Honest Operation,and Considerate Service”,our business mainly focus on the distribution of electronic components. Line cards we deal with include Microchip,ALPS,ROHM,Xilinx,Pulse,ON,Everlight and Freescale. Main products comprise IC,Modules,Potentiometer,IC Socket,Relay,Connector.Our parts cover such applications as commercial,industrial, and automotives areas.

We are looking forward to setting up business relationship with you and hope to provide you with the best service and solution. Let us make a better world for our industry!



Contact us

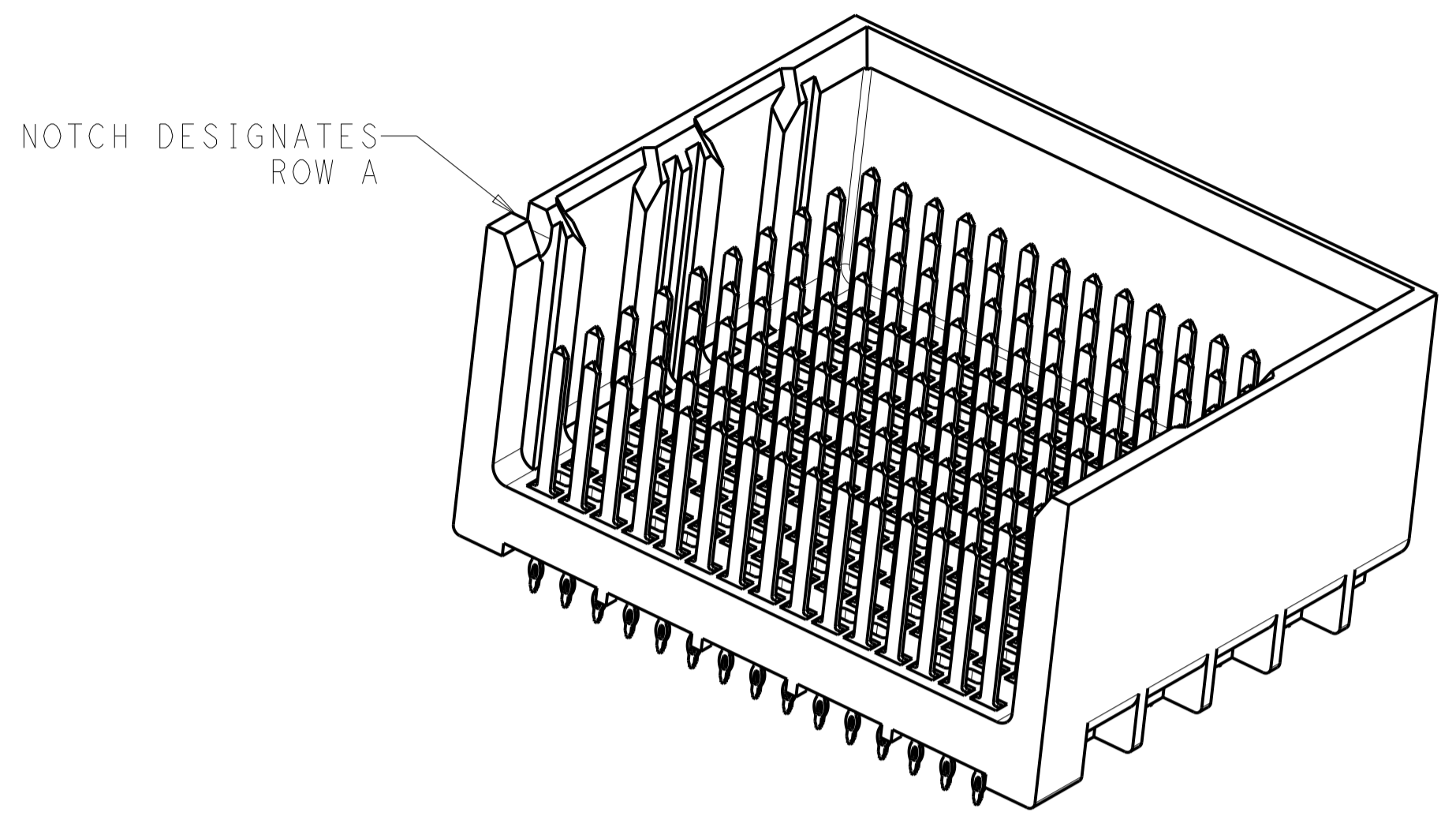
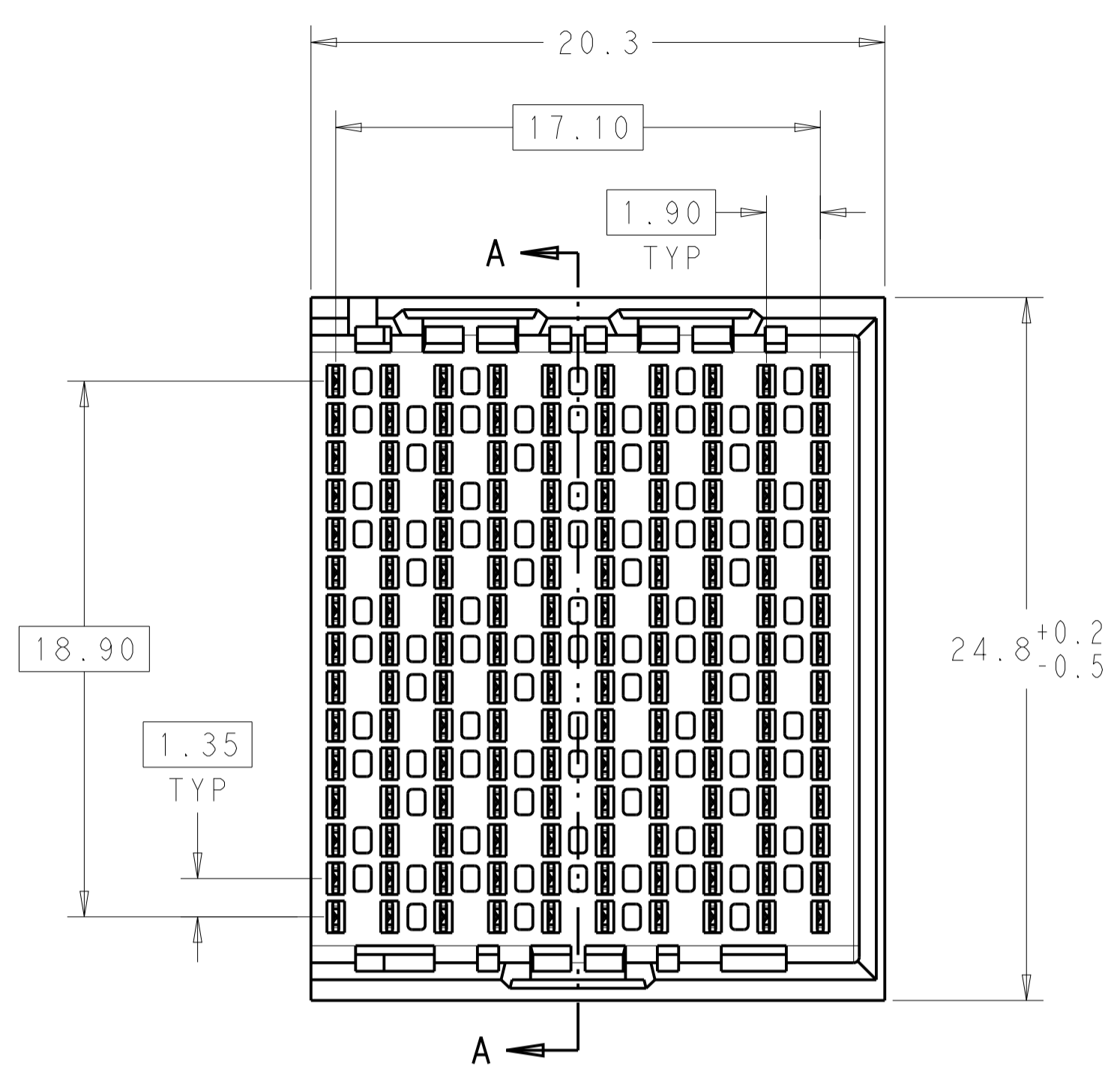
Tel: +86-755-8981 8866 Fax: +86-755-8427 6832

Email & Skype: info@chipsmall.com Web: www.chipsmall.com

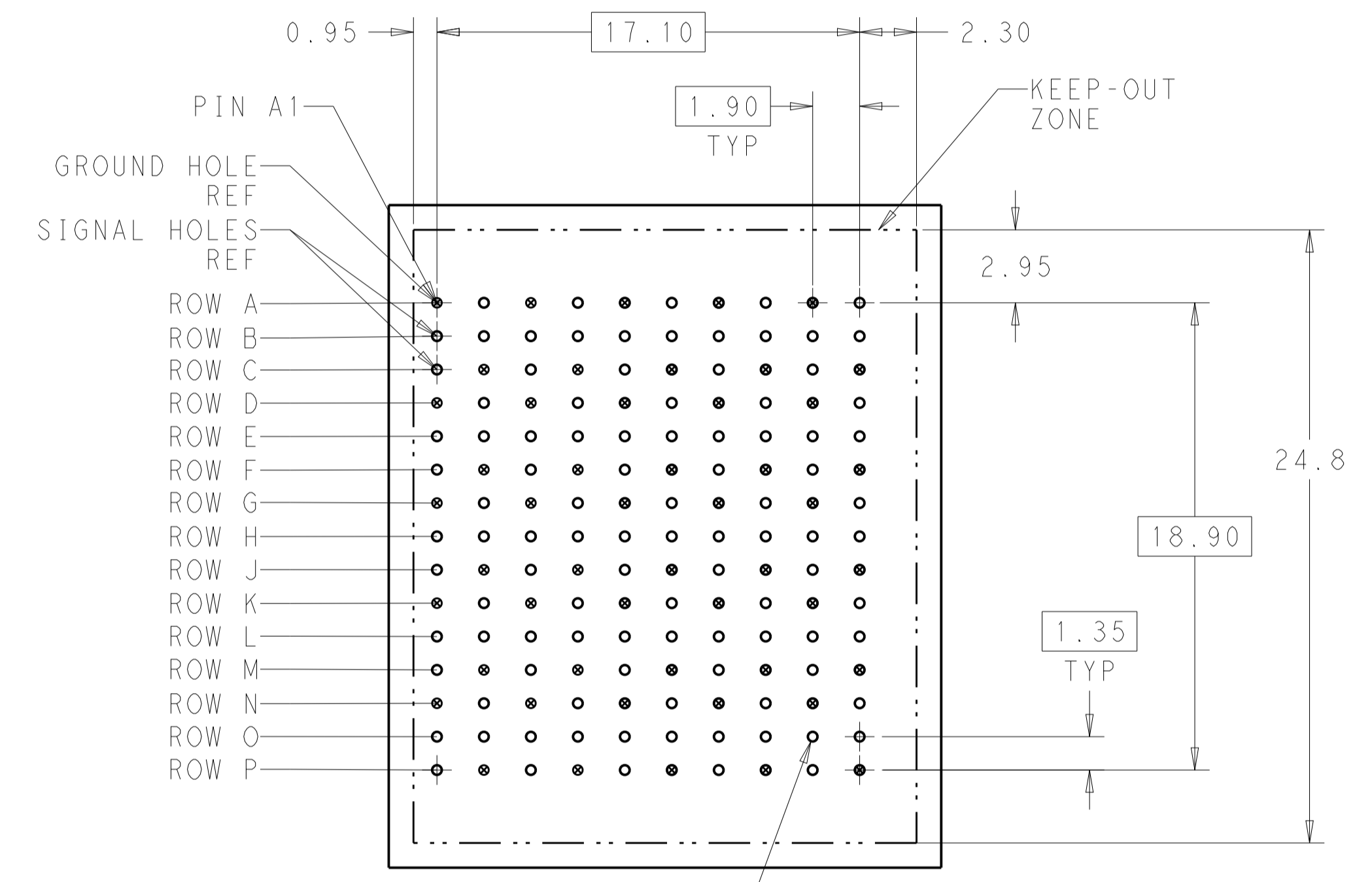
Address: A1208, Overseas Decoration Building, #122 Zhenhua RD., Futian, Shenzhen, China



| REVISIONS | | | | |
|-----------|-----|---------------------------|-----------|-------|
| REV | LTN | DESCRIPTION | DATE | APV |
| C | | REVISED PER ECO-14-000933 | 28JAN2014 | AP DD |

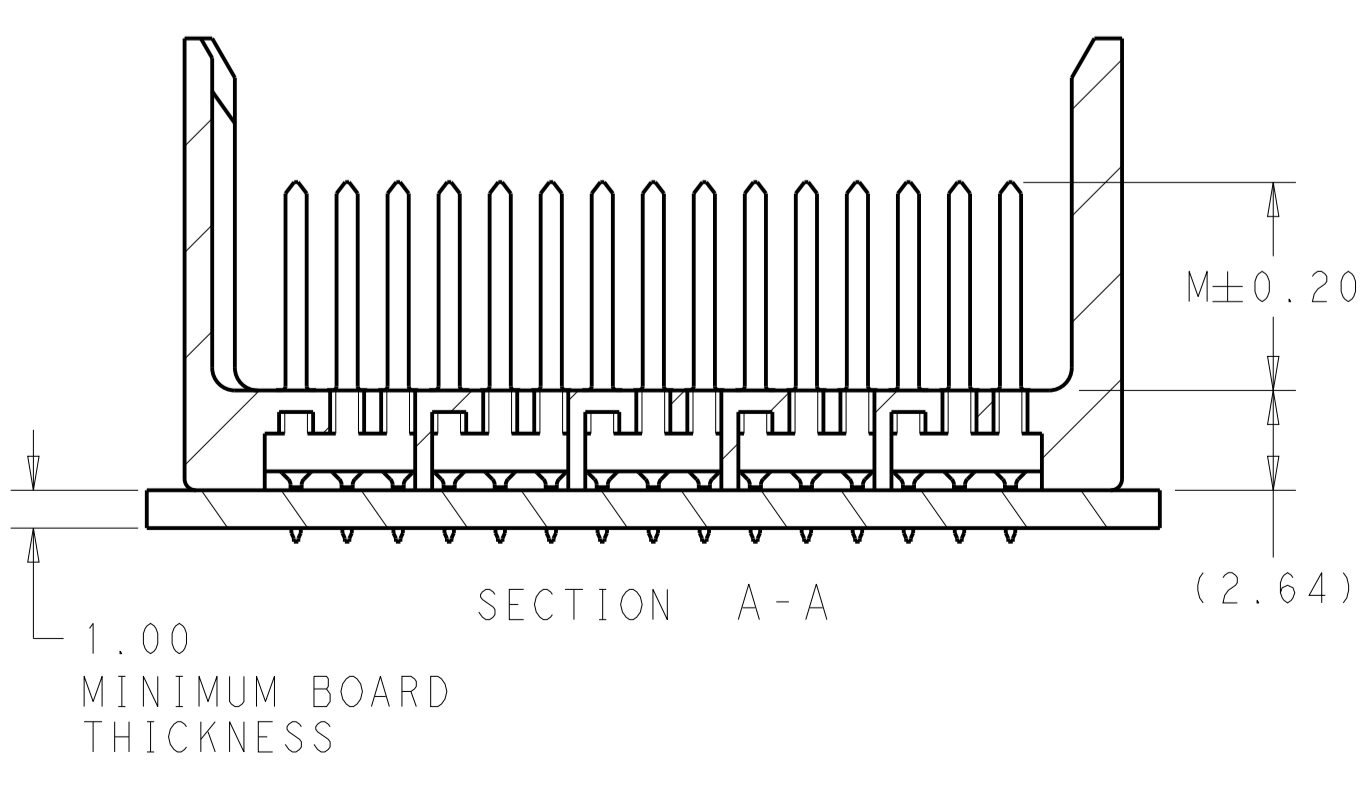
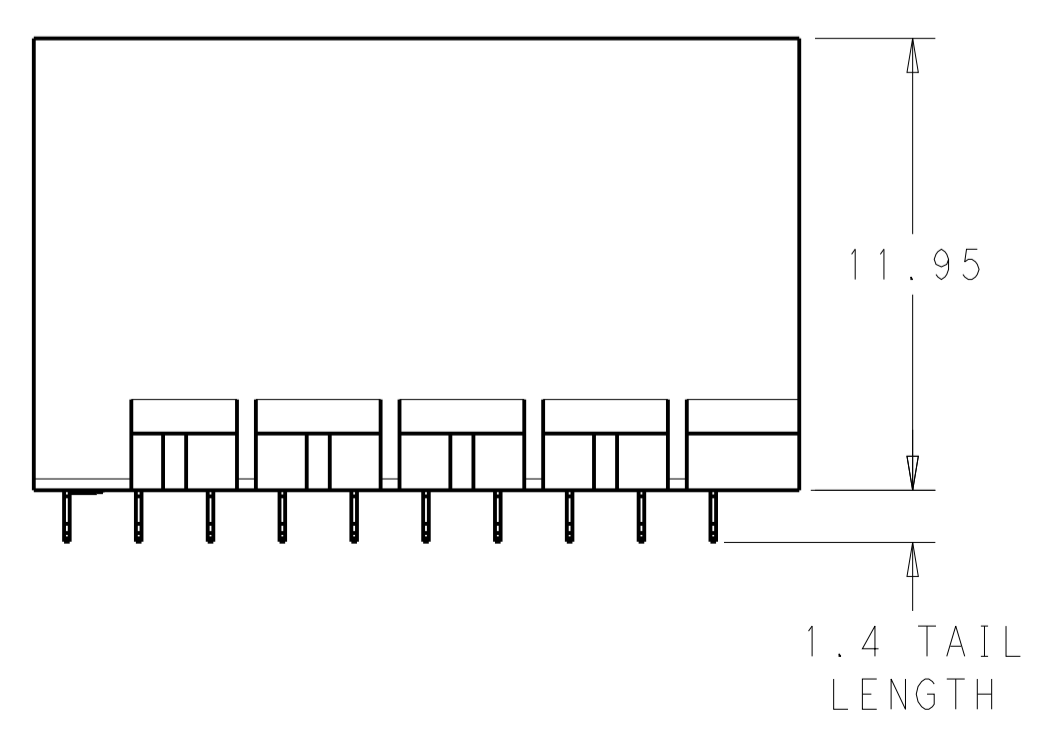


- 1 MATERIAL:
HOUSING: LCP, GLASS FILLED, UL94V-0.
TERMINALS: HIGH PERFORMANCE COPPER ALLOY.
- 2 FINISH:
30µ" MIN GOLD IN CONTACT AREA. SELECTIVE TIN ON PCB TAILS, NICKEL OVERALL.
- 3 FINISH:
30µ" MIN GOLD IN CONTACT AREA. SELECTIVE TIN-LEAD ON PCB TAILS, NICKEL OVERALL.



150X $\phi 0.39 \pm 0.05$
 $\phi 0.10$
 PLATED THRU HOLE

UNGUIDED
 BACKPLANE HOLE PATTERN
 (CONNECTOR SIDE)



| | | | |
|--|---|---|-----------------|
| THIS DRAWING IS A CONTROLLED DOCUMENT. | | DWN J. K. SHOBER 13JAN2011 CHK J. EARY 13JAN2011 APVD J. EARY 13JAN2011 | TE Connectivity |
| DIMENSIONS: mm | TOLERANCES UNLESS OTHERWISE SPECIFIED: 0 PLC ± 1 PLC ±0.25 2 PLC ±0.13 3 PLC ± 4 PLC ± ANGLES ± FINISH SEE TABLE | NAME IMPACT, 5 PAIR, 10 COLUMN, HEADER UNGUIDED, RIGHT END WALL SIGNAL MODULE, 0.39 PTH SIZE CAGE CODE DRAWING NO. RESTRICTED TO A100779C=2007855 WEIGHT CUSTOMER DRAWING SCALE 5:1 SHEET 1 OF 2 REV C | |

| | | |
|------------------------------|--------------------------|----|
| THIS DRAWING IS UNPUBLISHED. | RELEASED FOR PUBLICATION | 20 |
| © COPYRIGHT 20 | ALL RIGHTS RESERVED. | |

| REVISIONS | | | | | |
|-----------|-----|-------------|------|-----|------|
| P. | LTN | DESCRIPTION | DATE | DMN | APVD |
| - | - | SEE SHEET 1 | - | - | - |
| | | | | | |
| | | | | | |

| | | |
|--------|-------|-------------|
| | 5.5 | 2007855-6 |
| | 4.9 | 2007855-5 |
| | 4.5 | 2007855-4 |
| | 5.5 | 2007855-3 |
| | 4.9 | 2007855-2 |
| | 4.5 | 2007855-1 |
| FINISH | DIM M | PART NUMBER |

REFER TO WWW.TE.COM
FOR PRODUCT AVAILABILITY

| | | | | |
|---|-----------|----------------------------------|-----------------------|--|
| THIS DRAWING IS A CONTROLLED DOCUMENT. | | DMN J. K. SHOBER 13JAN2011 | | TE Connectivity |
| DIMENSIONS: mm | | CHK J. EARY 13JAN2011 | | |
| TOLERANCES UNLESS OTHERWISE SPECIFIED: 0 PLC ± 1 PLC ±0.25 2 PLC ±0.13 3 PLC ± 4 PLC ± | | APVD J. EARY 13JAN2011 | NAME | IMPACT, 5 PAIR, 10 COLUMN, HEADER UNGUIDED, RIGHT END WALL SIGNAL MODULE, 0.39 PTH |
| ANGLES FINISH ± | | PRODUCT SPEC - | APPLICATION SPEC - | RESTRICTED TO |
| MATERIAL - | SEE TABLE | WEIGHT - | SIZE A1 | CAGE CODE 00779 |
| CUSTOMER DRAWING | | SCALE 5:1 | SHEET 2 | OF 2 |
| | | REV C | | |