



Chipsmall Limited consists of a professional team with an average of over 10 year of expertise in the distribution of electronic components. Based in Hongkong, we have already established firm and mutual-benefit business relationships with customers from,Europe,America and south Asia,supplying obsolete and hard-to-find components to meet their specific needs.

With the principle of “Quality Parts,Customers Priority,Honest Operation,and Considerate Service”,our business mainly focus on the distribution of electronic components. Line cards we deal with include Microchip,ALPS,ROHM,Xilinx,Pulse,ON,Everlight and Freescale. Main products comprise IC,Modules,Potentiometer,IC Socket,Relay,Connector.Our parts cover such applications as commercial,industrial, and automotives areas.

We are looking forward to setting up business relationship with you and hope to provide you with the best service and solution. Let us make a better world for our industry!



Contact us

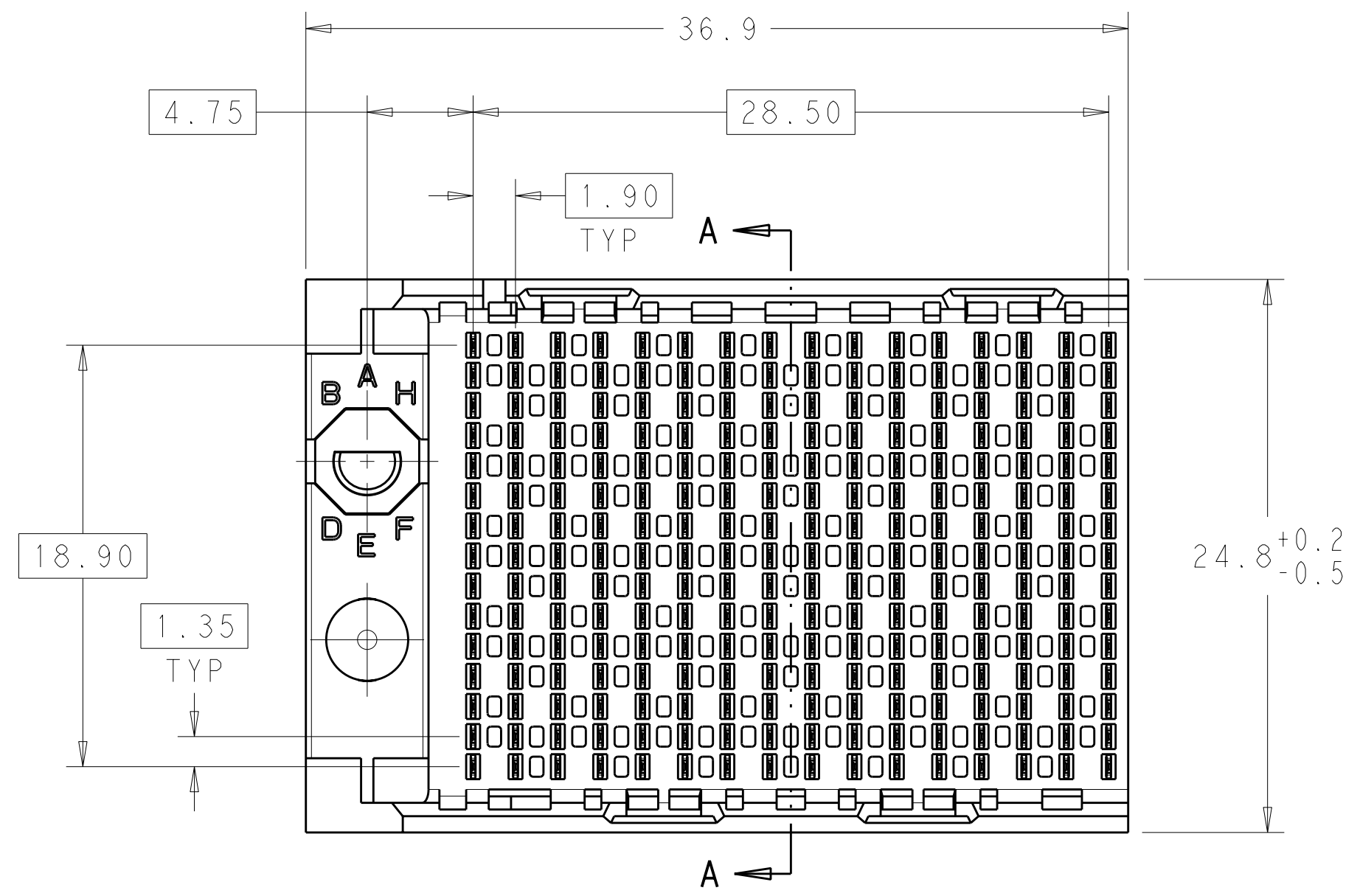
Tel: +86-755-8981 8866 Fax: +86-755-8427 6832

Email & Skype: info@chipsmall.com Web: www.chipsmall.com

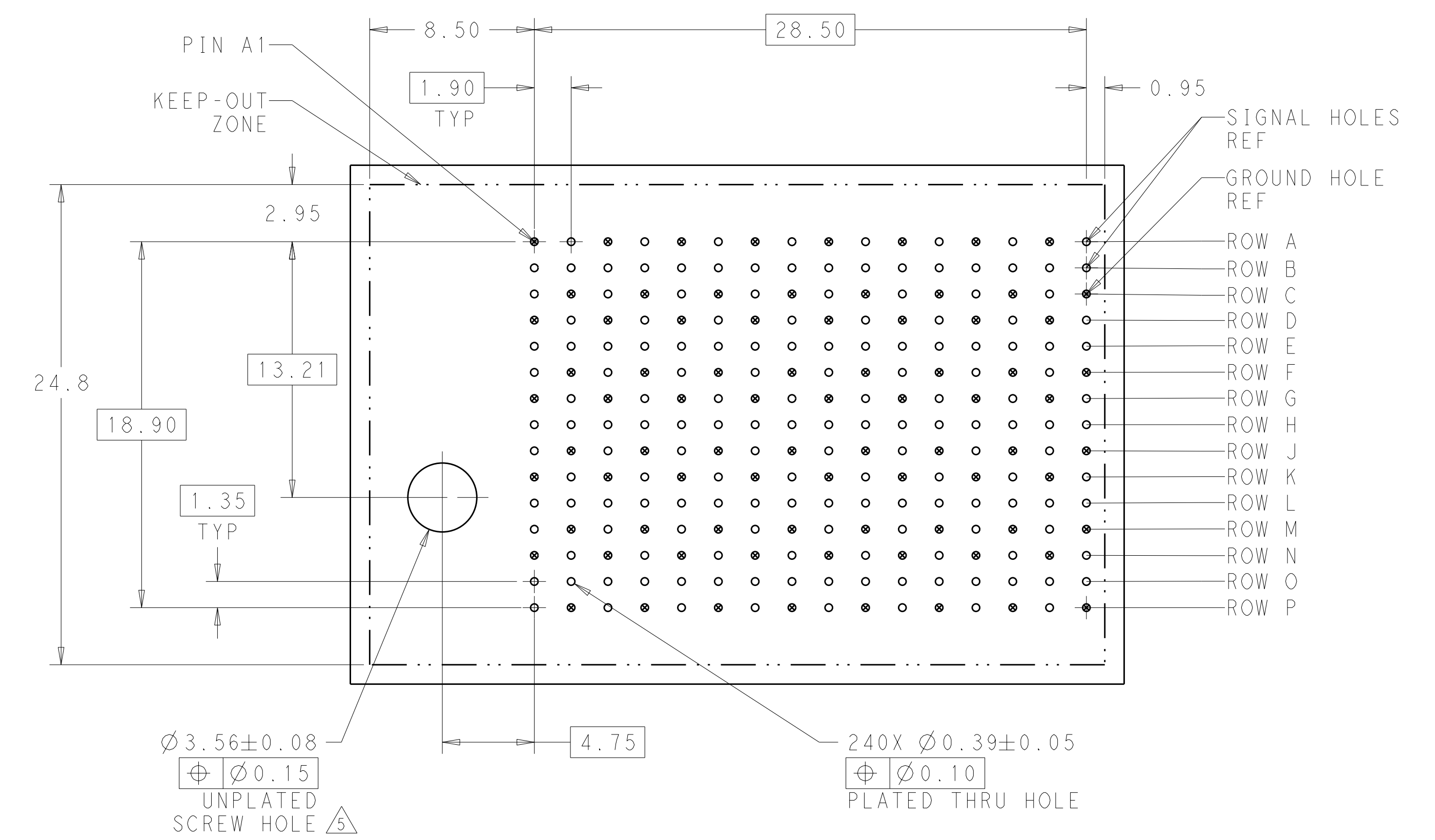
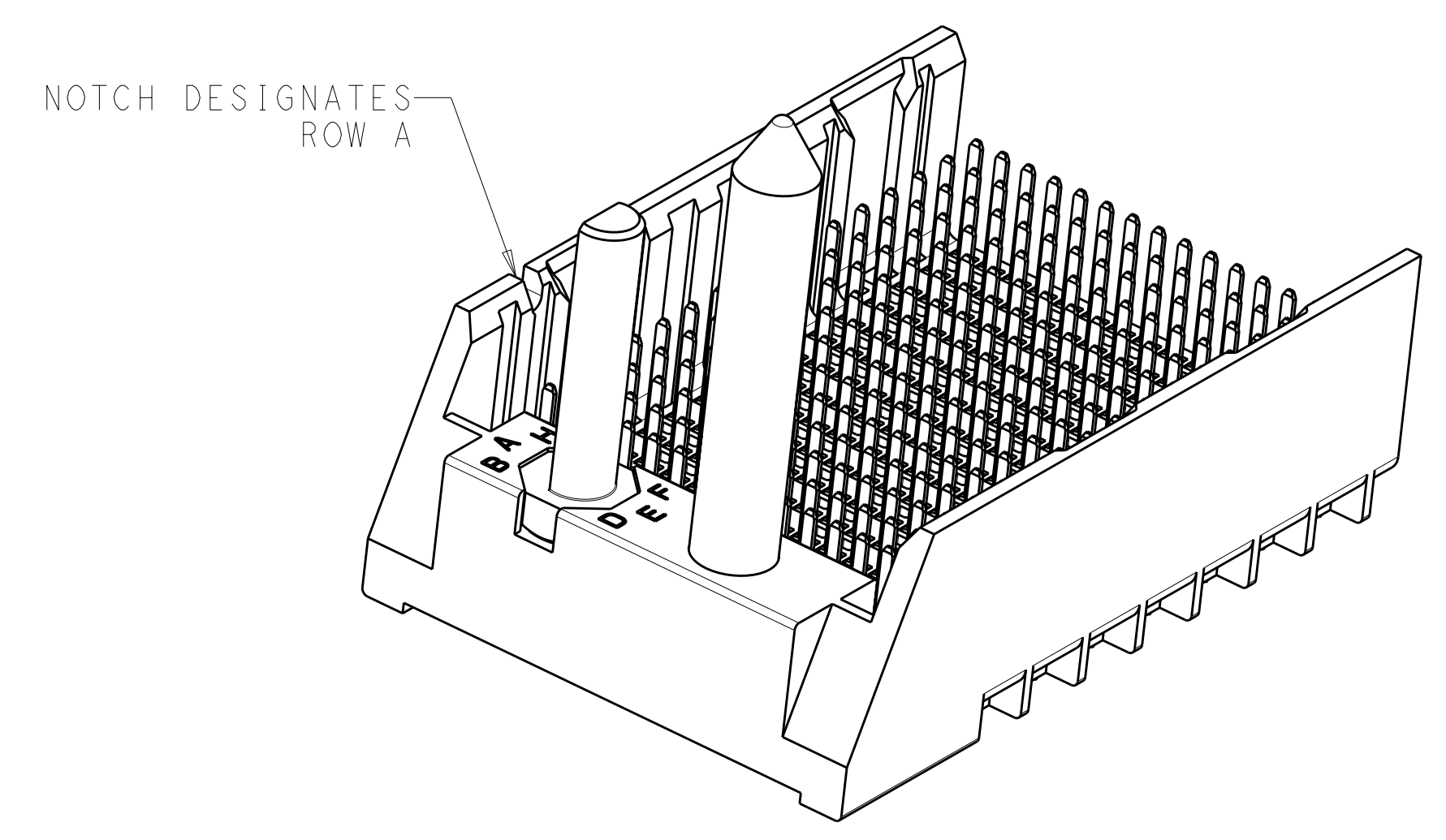
Address: A1208, Overseas Decoration Building, #122 Zhenhua RD., Futian, Shenzhen, China



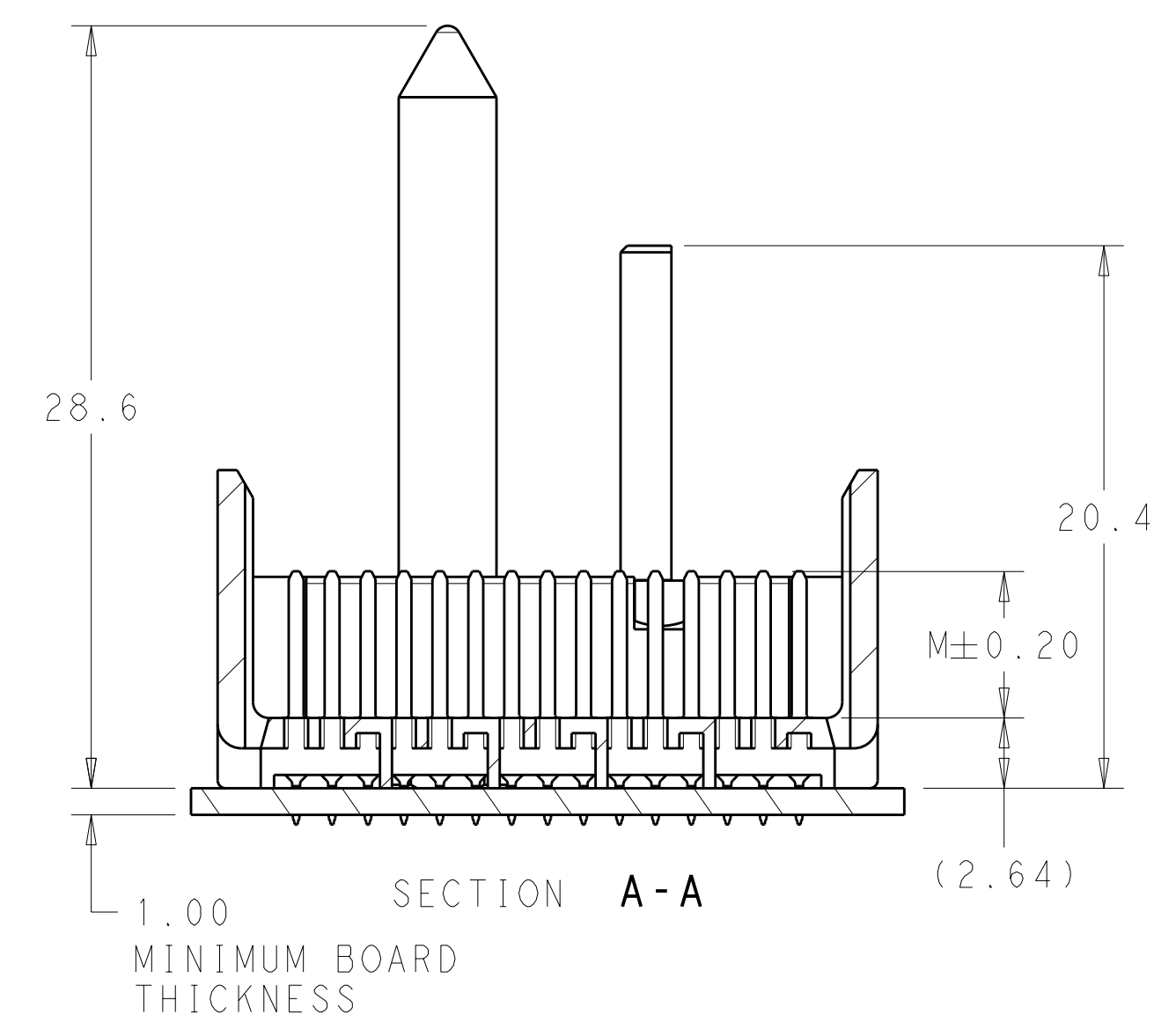
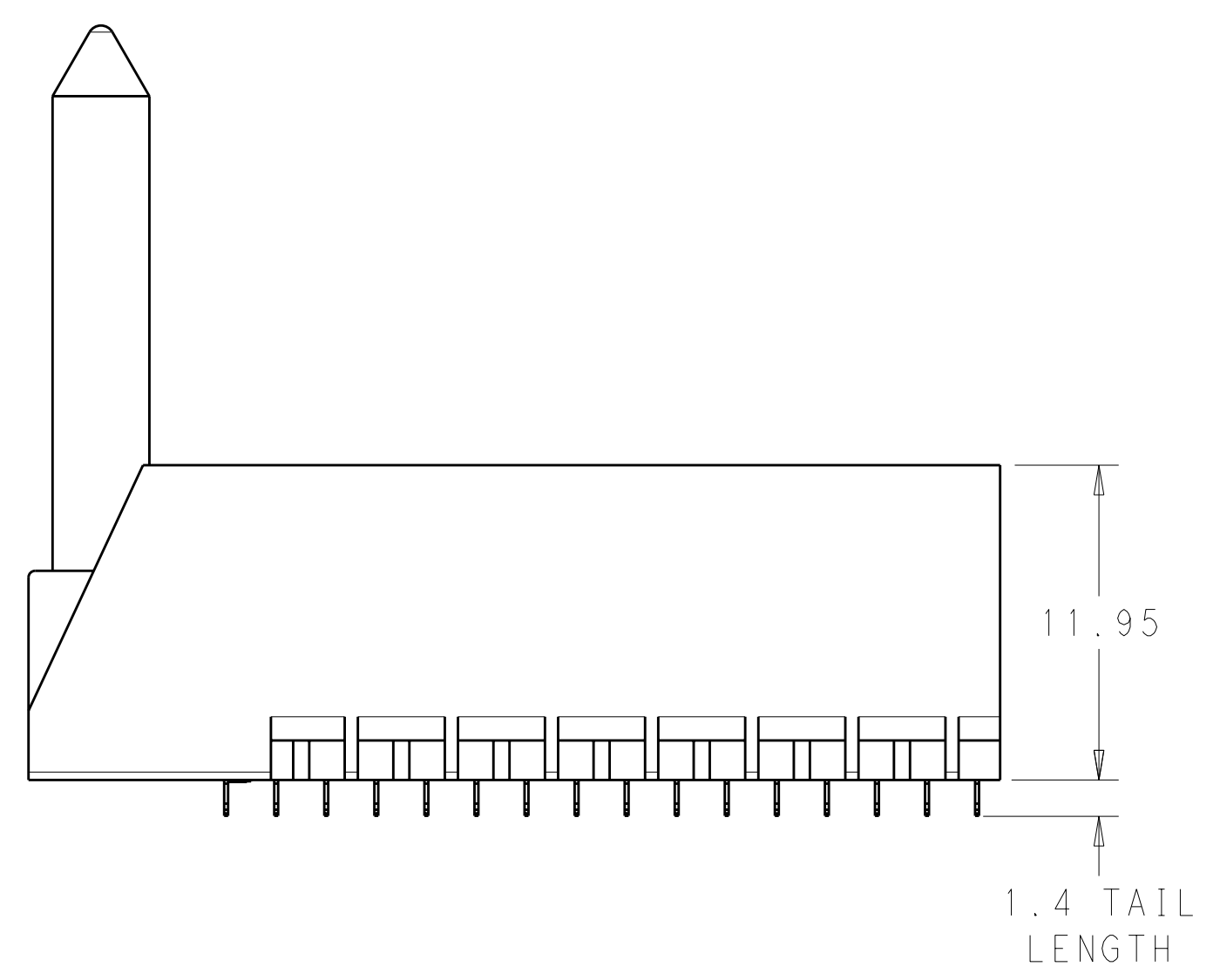
LOC	DIST	REV	DATE	BY	APPD
AD	00	B	03JAN2012	KH	DY
		REVISIONS			
		DESCRIPTION	DATE	DWN	APPD
		B	REVISD PER ECO-11-025276		



- 1 MATERIAL:
HOUSING: LCP, GLASS FILLED, UL94V-0.
TERMINALS: HIGH PERFORMANCE COPPER ALLOY.
- 2 FINISH:
30µ" MIN GOLD IN CONTACT AREA. SELECTIVE TIN ON PCB TAILS, NICKEL OVERALL.
- 3 FINISH:
30µ" MIN GOLD IN CONTACT AREA. SELECTIVE TIN-LEAD ON PCB TAILS, NICKEL OVERALL.
- 4. SCREWS PACKAGED IN END OF PACKAGING TUBE.
- 5 FOR GROUNDED GUIDE PIN USE $\phi 3.56 \pm 0.08$ PTH, $\phi 3.66$ DRILL, AND $\phi 6.5$ PAD.
- 6. KEYING PIN SHOWN IN POSITION A, SEE KEYING CHART ON SHEET 2 FOR OTHER POSITIONS.



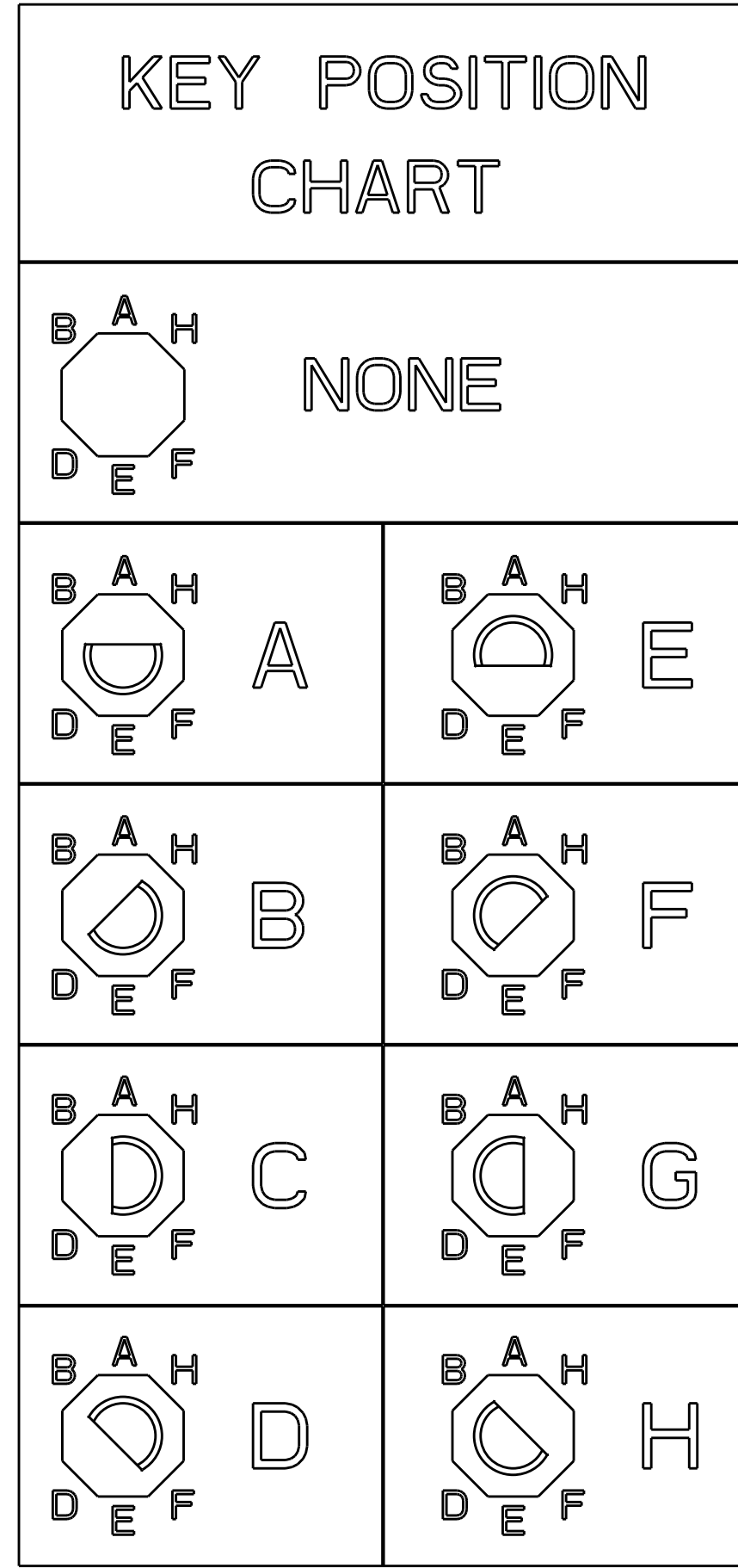
LEFT GUIDED BACKPLANE HOLE PATTERN (CONNECTOR SIDE)



THIS DRAWING IS A CONTROLLED DOCUMENT.		DWN J. K. SHOBER 02FEB2011	TE Connectivity
DIMENSIONS: mm		CHK J. EARY 02FEB2011	
TOLERANCES UNLESS OTHERWISE SPECIFIED:		APVD J. EARY 02FEB2011	NAME
Ø	9 PLC ±	PRODUCT SPEC	IMPACT, 5 PAIR, 16 COLUMN, HEADER
Ø	1 PLC ±0.25	APPLICATION SPEC	LEFT GUIDED, OPEN END WALL
Ø	3 PLC ±0.13	WEIGHT	SIGNAL MODULE, 0.39 PTH
Ø	4 PLC ±	SIZE CAGE CODE DRAWING NO	A100779C=2007857
Ø	5 PLC ±	CUSTOMER DRAWING	SCALE 4:1 SHEET 1 OF 2 REV B
Ø	6 PLC ±		
Ø	7 PLC ±		
Ø	8 PLC ±		
Ø	9 PLC ±		
Ø	10 PLC ±		
Ø	11 PLC ±		
Ø	12 PLC ±		
Ø	13 PLC ±		
Ø	14 PLC ±		
Ø	15 PLC ±		
Ø	16 PLC ±		
Ø	17 PLC ±		
Ø	18 PLC ±		
Ø	19 PLC ±		
Ø	20 PLC ±		
Ø	21 PLC ±		
Ø	22 PLC ±		
Ø	23 PLC ±		
Ø	24 PLC ±		
Ø	25 PLC ±		
Ø	26 PLC ±		
Ø	27 PLC ±		
Ø	28 PLC ±		
Ø	29 PLC ±		
Ø	30 PLC ±		

LOC		DIST		REVISIONS			
AD	00	P	LTB	DESCRIPTION	DATE	DWN	APVD
		-	-	SEE SHEET 1	-	-	-

3	H	5.5	8-2007857-6
3	H	4.9	8-2007857-5
3	H	4.5	8-2007857-4
2	H	5.5	8-2007857-3
2	H	4.9	8-2007857-2
2	H	4.5	8-2007857-1
3	G	5.5	7-2007857-6
3	G	4.9	7-2007857-5
3	G	4.5	7-2007857-4
2	G	5.5	7-2007857-3
2	G	4.9	7-2007857-2
2	G	4.5	7-2007857-1
3	F	5.5	6-2007857-6
3	F	4.9	6-2007857-5
3	F	4.5	6-2007857-4
2	F	5.5	6-2007857-3
2	F	4.9	6-2007857-2
2	F	4.5	6-2007857-1
3	E	5.5	5-2007857-6
3	E	4.9	5-2007857-5
3	E	4.5	5-2007857-4
2	E	5.5	5-2007857-3
2	E	4.9	5-2007857-2
2	E	4.5	5-2007857-1
3	D	5.5	4-2007857-6
3	D	4.9	4-2007857-5
3	D	4.5	4-2007857-4
2	D	5.5	4-2007857-3
2	D	4.9	4-2007857-2
2	D	4.5	4-2007857-1
3	C	5.5	3-2007857-6
3	C	4.9	3-2007857-5
3	C	4.5	3-2007857-4
2	C	5.5	3-2007857-3
2	C	4.9	3-2007857-2
2	C	4.5	3-2007857-1
3	B	5.5	2-2007857-6
3	B	4.9	2-2007857-5
3	B	4.5	2-2007857-4
2	B	5.5	2-2007857-3
2	B	4.9	2-2007857-2
2	B	4.5	2-2007857-1
3	A	5.5	1-2007857-6
3	A	4.9	1-2007857-5
3	A	4.5	1-2007857-4
2	A	5.5	1-2007857-3
2	A	4.9	1-2007857-2
2	A	4.5	1-2007857-1
3	-	5.5	2007857-6
3	-	4.9	2007857-5
3	-	4.5	2007857-4
2	-	5.5	2007857-3
2	-	4.9	2007857-2
2	-	4.5	2007857-1
FINISH	KEY POSITION	DIM M	PART NUMBER



REFER TO WWW.TE.COM
FOR PRODUCT AVAILABILITY

THIS DRAWING IS A CONTROLLED DOCUMENT.		DWN J. K. SHOBER 02FEB2011	STE TE Connectivity
DIMENSIONS: mm		CHK J. EARY 02FEB2011	
TOLERANCES UNLESS OTHERWISE SPECIFIED:		APVD J. EARY 02FEB2011	NAME: IMPACT, 5 PAIR, 16 COLUMN, HEADER LEFT GUIDED, OPEN END WALL SIGNAL MODULE, 0.39 PTH
9 PLC ± 3 PLC ±0.25 5 PLC ±0.13 4 PLC ± ANGLES ± FINISH SEE TABLE		PRODUCT SPEC	
MATERIAL		APPLICATION SPEC	SIZE CAGE CODE DRAWING NO RESTRICTED TO
		WEIGHT	A100779C=2007857
CUSTOMER DRAWING			SCALE 5:1 SHEET 2 OF 2 REV B