



Chipsmall Limited consists of a professional team with an average of over 10 year of expertise in the distribution of electronic components. Based in Hongkong, we have already established firm and mutual-benefit business relationships with customers from,Europe,America and south Asia,supplying obsolete and hard-to-find components to meet their specific needs.

With the principle of “Quality Parts,Customers Priority,Honest Operation,and Considerate Service”,our business mainly focus on the distribution of electronic components. Line cards we deal with include Microchip,ALPS,ROHM,Xilinx,Pulse,ON,Everlight and Freescale. Main products comprise IC,Modules,Potentiometer,IC Socket,Relay,Connector.Our parts cover such applications as commercial,industrial, and automotives areas.

We are looking forward to setting up business relationship with you and hope to provide you with the best service and solution. Let us make a better world for our industry!



## Contact us

Tel: +86-755-8981 8866 Fax: +86-755-8427 6832

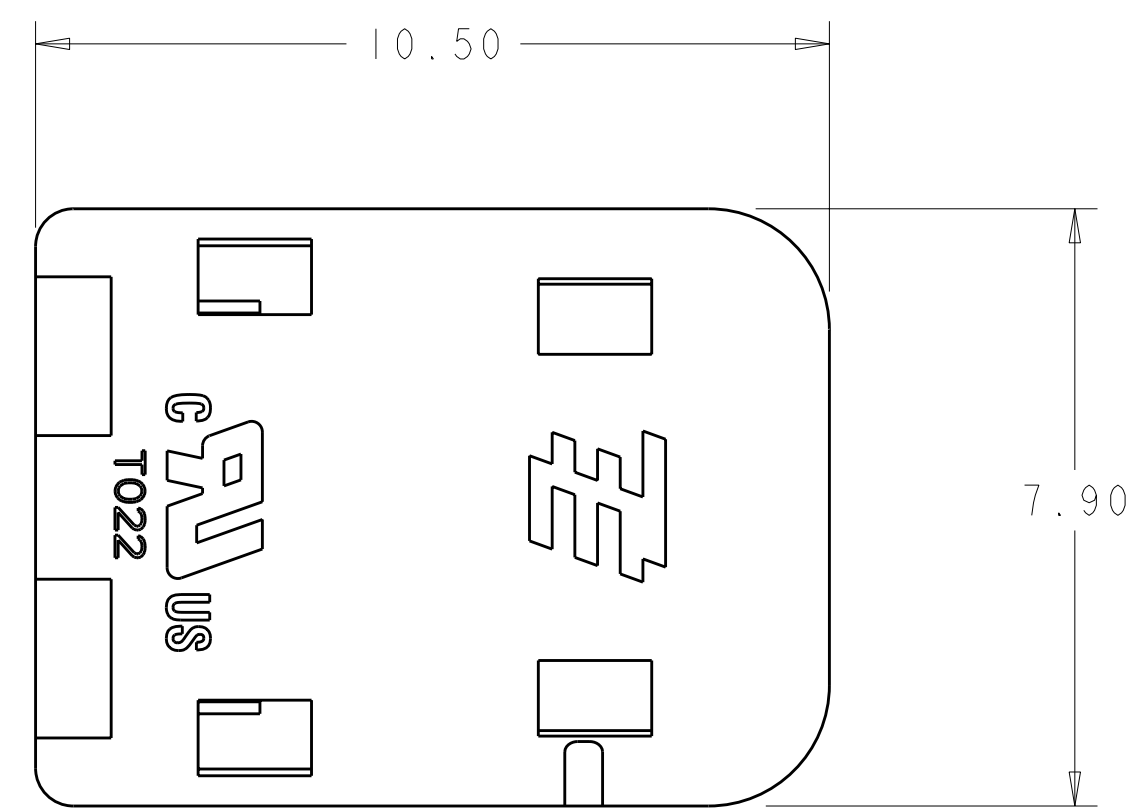
Email & Skype: info@chipsmall.com Web: www.chipsmall.com

Address: A1208, Overseas Decoration Building, #122 Zhenhua RD., Futian, Shenzhen, China

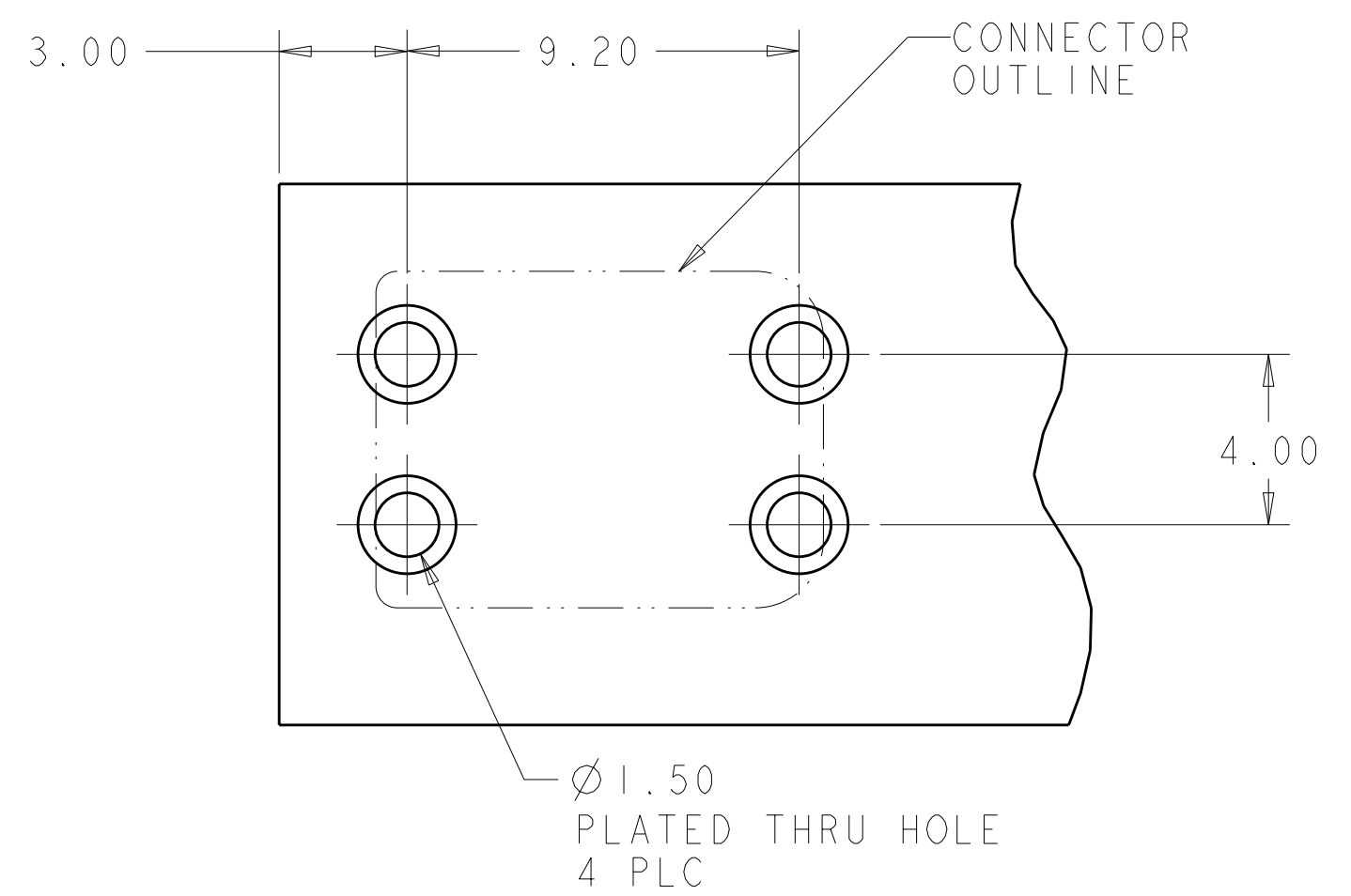
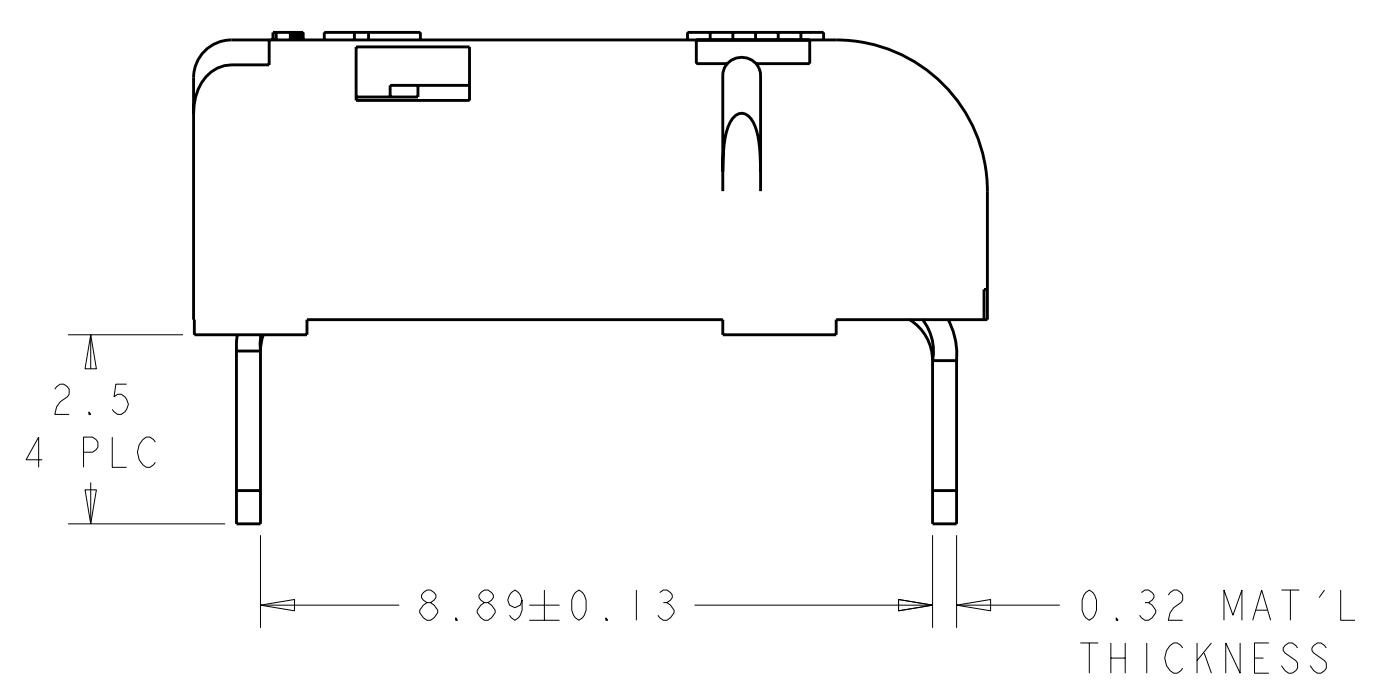
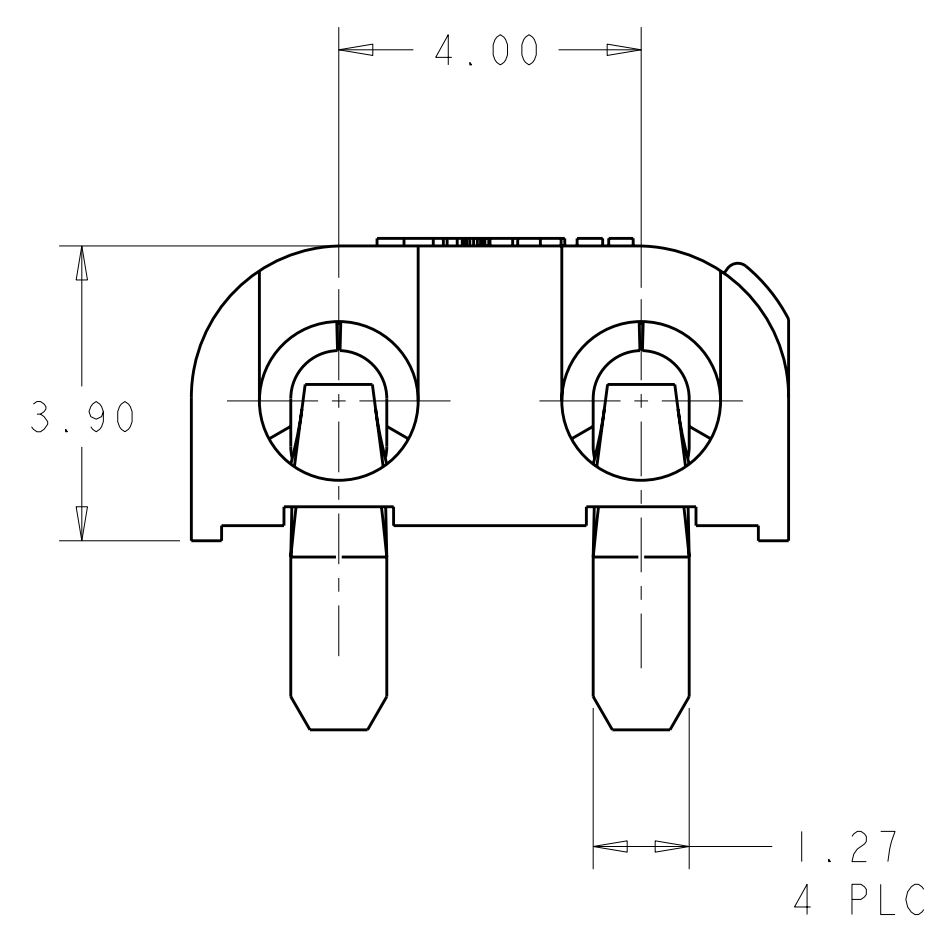


THIS DRAWING IS UNPUBLISHED. RELEASED FOR PUBLICATION 20  
 © COPYRIGHT 20 BY TYCO ELECTRONICS CORPORATION. ALL RIGHTS RESERVED.

REVISONS		DATE	DWN	APVD
P	LTR	DESCRIPTION		
-	-			
	A2	REVISED PER ECR-09-002050	30JAN2009	HMR DD



- 1. MATERIALS AND FINISH:
  - HOUSING: LCP, COLOR: WHITE
  - CONTACTS: COPPER ALLOY, FINISH: TIN
- 2. MUST COMPLY WITH DIRECTIVE 2002/95/EC (ROHS)
- 3. THIS PRODUCT HAS NOT COMPLETED VALIDATION TESTING.
- 4. WIRE TYPES AND SIZES ACCEPTED
  - 18, 20 AND 22 AWG SOLID WIRE
  - 18 AND 20 AWG PREBOND STRANDED WIRE
  - 18 AWG STRANDED WIRE (16 STRAND COUNT)
  - MAX INSULATION OD: 2.10 MM (.083")
  - STRIP LENGTH: 7.0±1.0 (.276")
- 5. PACKAGED IN TAPE AND REEL
- 6. MATERIALS AND FINISH:
  - HOUSING: LCP, COLOR: BLACK
  - CONTACTS: COPPER ALLOY, FINISH: TIN



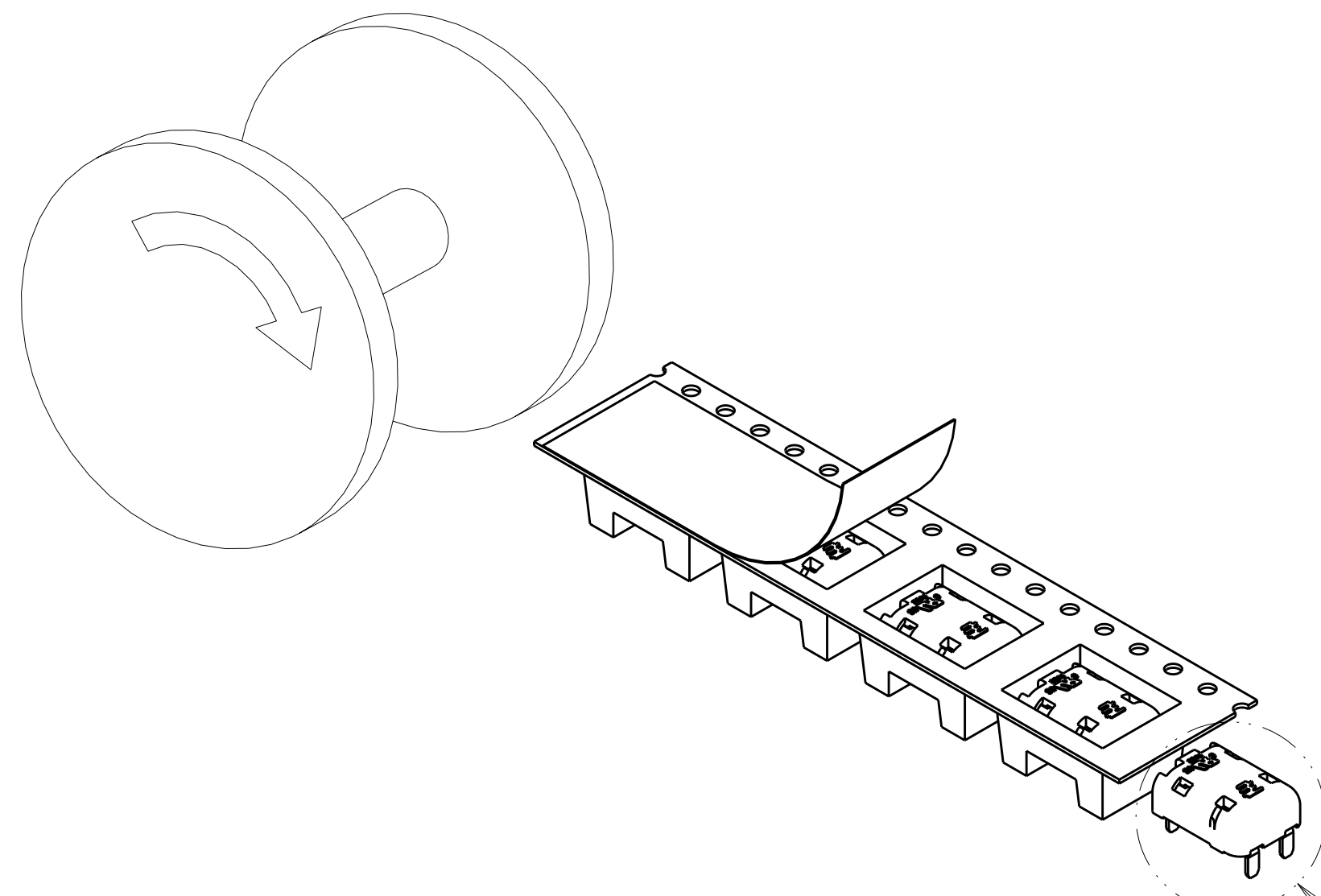
RECOMMENDED PCB LAYOUT  
SCALE 6:1

6	BLACK	2008106-2
1	WHITE	2008106-1
	MATERIAL	COLOR
		PART NO.

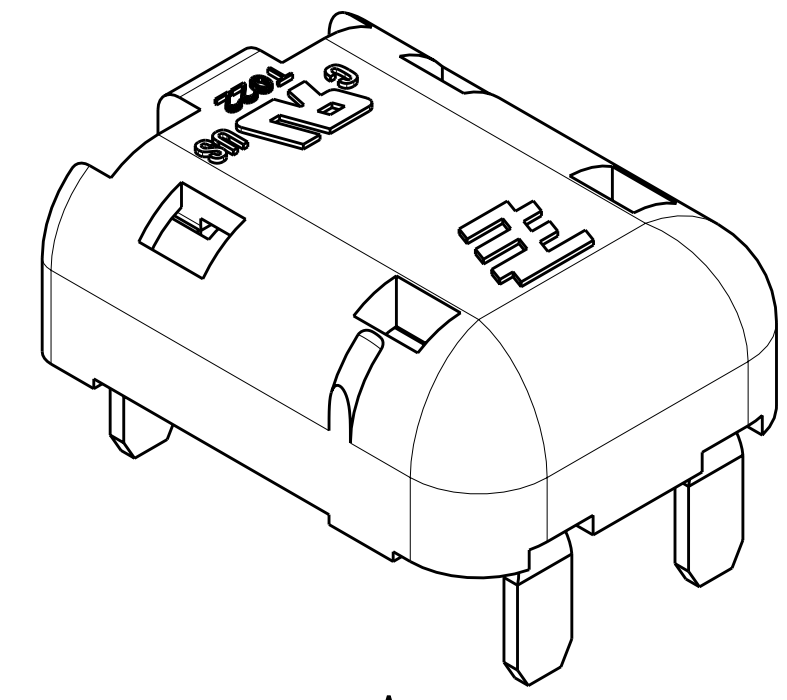
THIS DRAWING IS A CONTROLLED DOCUMENT FOR TYCO ELECTRONICS CORPORATION. IT IS SUBJECT TO CHANGE AND THE CONTROLLING ENGINEERING ORGANIZATION SHOULD BE CONTACTED FOR THE LATEST REVISION.		DWN C. DAILY 06JUN2006	Tyco Electronics Harrisburg, PA 17105-3608	
DIMENSIONS: mm		CHK S. HORST 06JUN2006	NAME POKE-IN LED CONNECTOR ASSEMBLY, THRU HOLE	
TOLERANCES UNLESS OTHERWISE SPECIFIED: 0 PLC ± 1 PLC ±0.5 2 PLC ±0.10 3 PLC ± 4 PLC ± ANGLES ±3° FINISH		APVD -	PRODUCT SPEC 108-2284	RESTRICTED TO -
SEE TABLE		APPLICATION SPEC 114-13194	SIZE A2	CAGE CODE 00779
SEE TABLE		WEIGHT -	DRAWING NO 2008106	REV A2
CUSTOMER DRAWING		SCALE 1:1	SHEET 1	OF 2

THIS DRAWING IS UNPUBLISHED. RELEASED FOR PUBLICATION 20  
 © COPYRIGHT 20 BY TYCO ELECTRONICS CORPORATION. ALL RIGHTS RESERVED.

LOC		DIST		REVISIONS			
P	LTR	DESCRIPTION	DATE	DWN	APVD		
-	-	SEE SHEET 1	-	-	-		



TAPE AND REEL PACKAGING DIAGRAM  
SCALE 2:1



DETAIL A  
SCALE 8:1

SEE DETAIL A

<small>THIS DRAWING IS A CONTROLLED DOCUMENT FOR TYCO ELECTRONICS CORPORATION          IT IS SUBJECT TO CHANGE AND THE CONTROLLING ENGINEERING ORGANIZATION          SHOULD BE CONTACTED FOR THE LATEST REVISION.</small>		DWN C. DAILY 06 JUN 2006 CHK S. HORST 06 JUN 2006 APVD -	<b>Tyco Electronics</b> Tyco Electronics Harrisburg, PA 17105-3608
DIMENSIONS: mm 	TOLERANCES UNLESS OTHERWISE SPECIFIED: 0 PLC ± 1 PLC ±0.5 2 PLC ±0.10 3 PLC ± 4 PLC ± ANGLES ±3° FINISH	PRODUCT SPEC 108-2284 APPLICATION SPEC 114-13194 WEIGHT -	NAME POKE-IN LED CONNECTOR ASSEMBLY, THRU HOLE SIZE A2 CAGE CODE 00779 DRAWING NO. C-2008106 RESTRICTED TO -
MATERIAL SEE TABLE	SEE TABLE	CUSTOMER DRAWING	SCALE 1:1 SHEET 2 OF 2 REV A2