



Chipsmall Limited consists of a professional team with an average of over 10 year of expertise in the distribution of electronic components. Based in Hongkong, we have already established firm and mutual-benefit business relationships with customers from,Europe,America and south Asia,supplying obsolete and hard-to-find components to meet their specific needs.

With the principle of “Quality Parts,Customers Priority,Honest Operation,and Considerate Service”,our business mainly focus on the distribution of electronic components. Line cards we deal with include Microchip,ALPS,ROHM,Xilinx,Pulse,ON,Everlight and Freescale. Main products comprise IC,Modules,Potentiometer,IC Socket,Relay,Connector.Our parts cover such applications as commercial,industrial, and automotives areas.

We are looking forward to setting up business relationship with you and hope to provide you with the best service and solution. Let us make a better world for our industry!



## Contact us

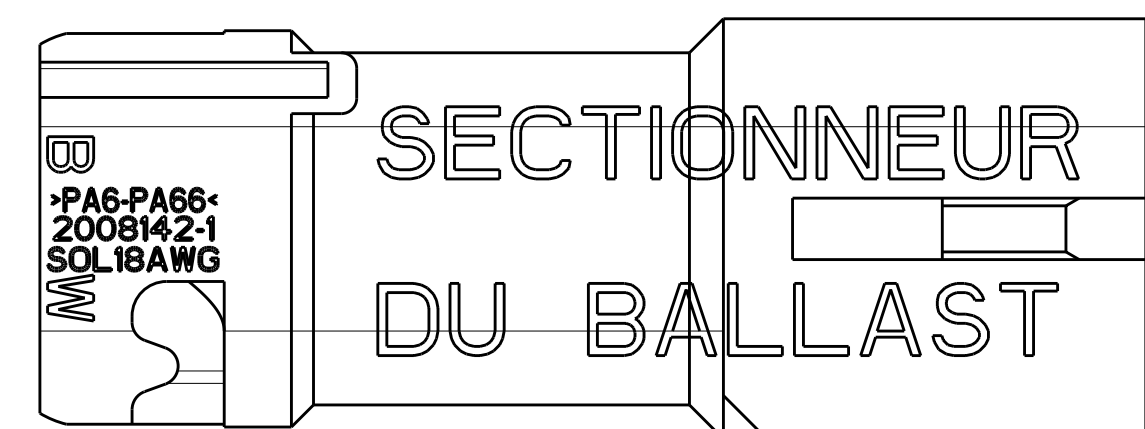
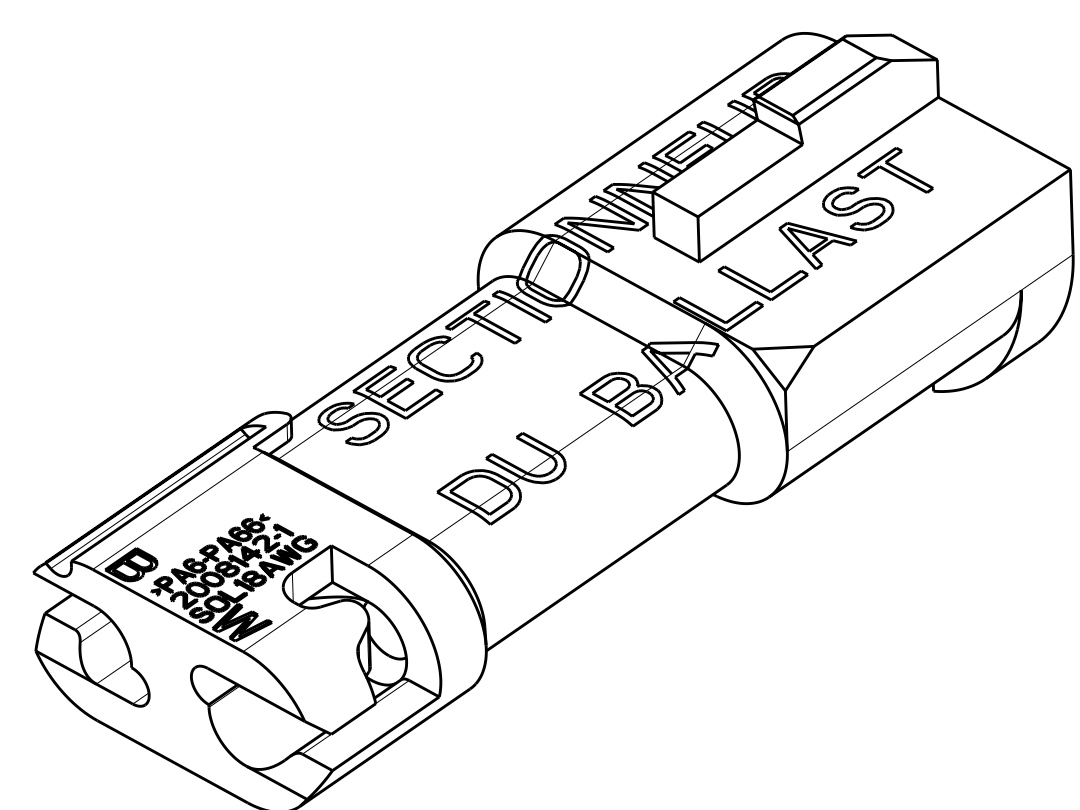
Tel: +86-755-8981 8866 Fax: +86-755-8427 6832

Email & Skype: info@chipsmall.com Web: www.chipsmall.com

Address: A1208, Overseas Decoration Building, #122 Zhenhua RD., Futian, Shenzhen, China



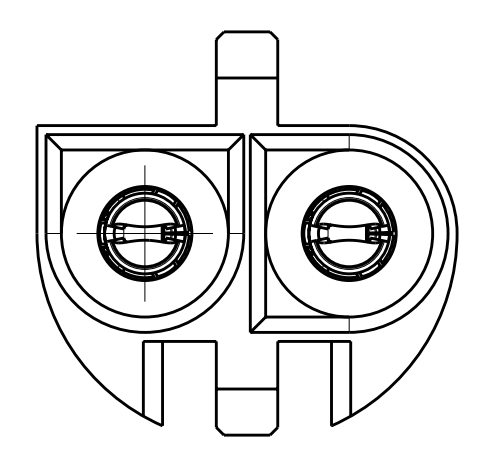
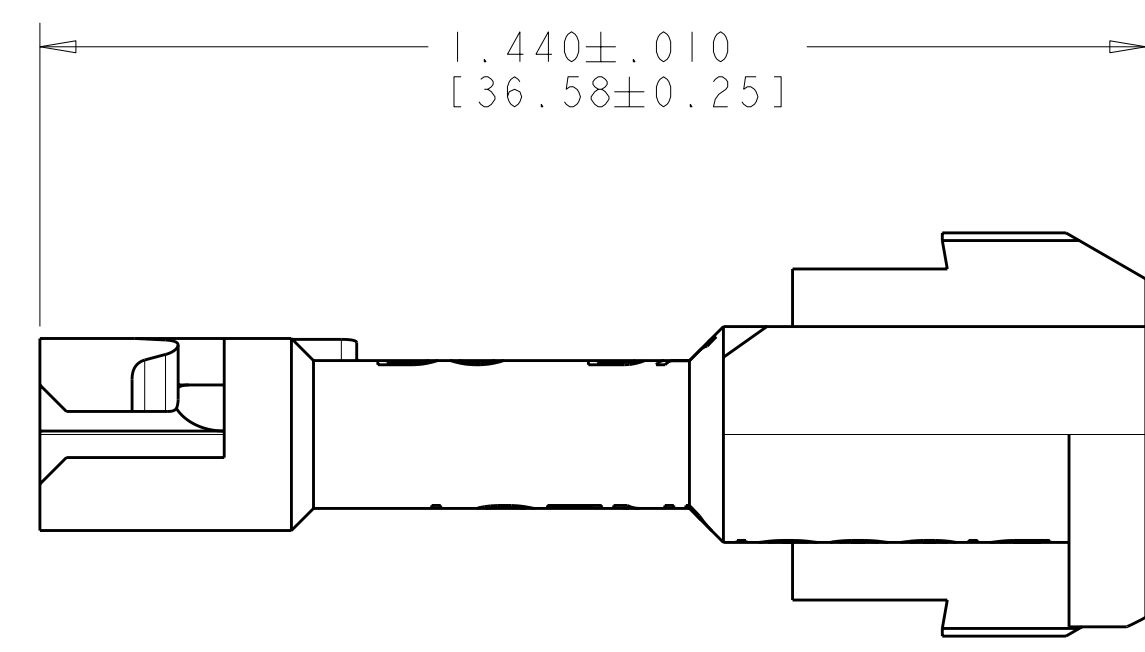
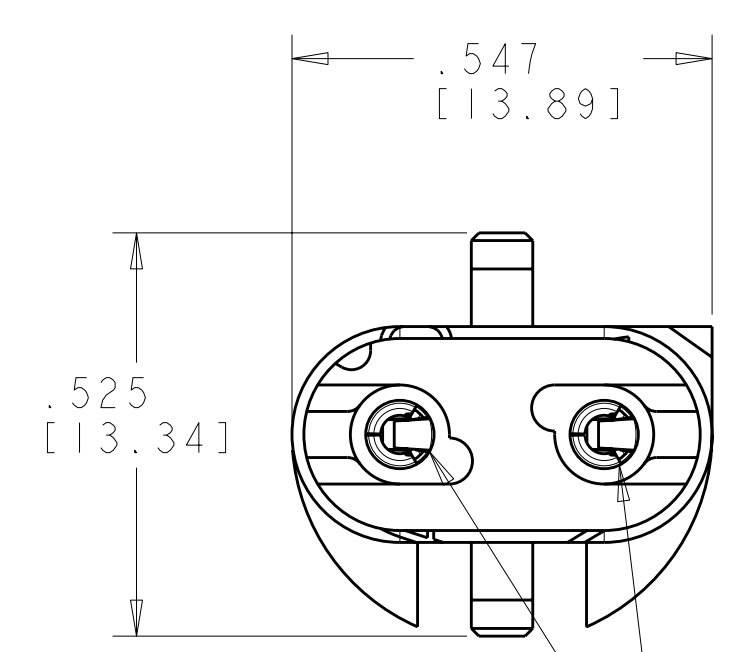
REVISONS		DATE	DWN	APVD
1	AI	05JAN2010	SS	DD
2				
3				



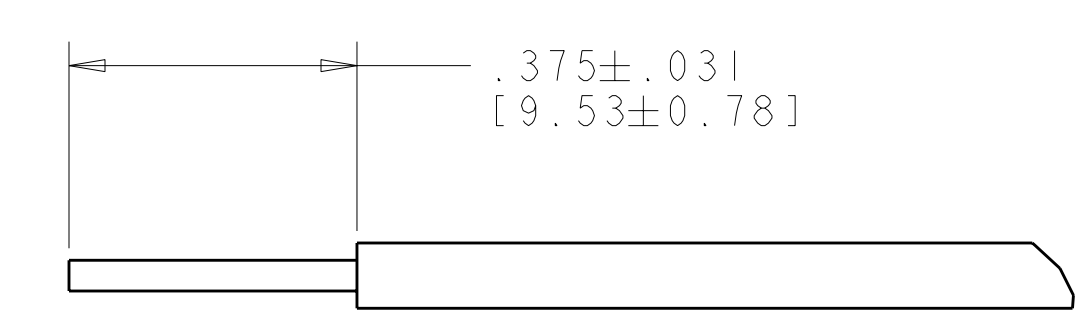
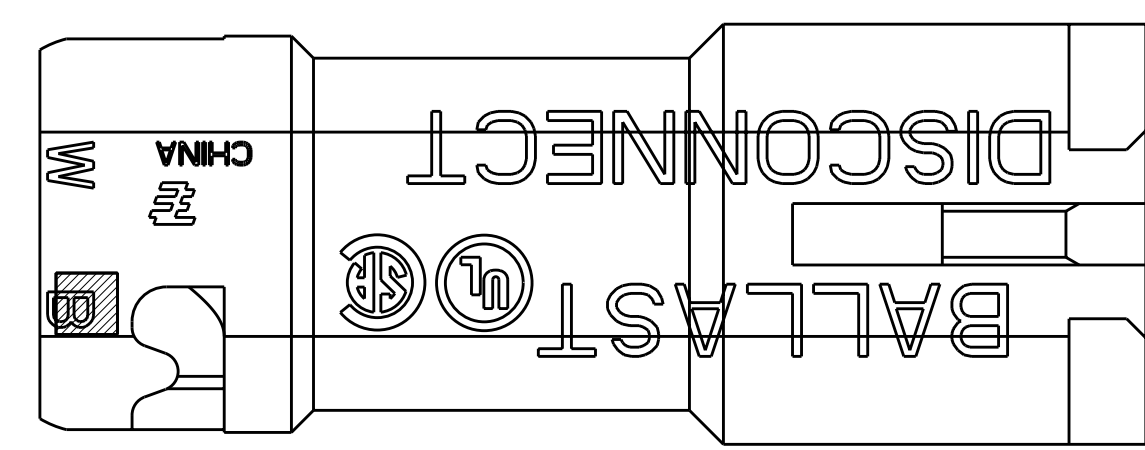
△ MATERIAL:  
 HOUSING: POLYAMIDE, COLOR: NATURAL  
 CONTACTS: PHOSPHOR BRONZE  
 INK: BLACK

△ FINISH:  
 CONTACTS: TIN PLATED

3. SEE INSTRUCTION SHEET: 408-10153



ACCEPTS 18 AWG SOLID WIRE  
 WITH .086 [2.18] MAX INSULATION DIAMETER



RECOMMENDED WIRE STRIP LENGTH

UNMARKED	2008142-2
MARKED	2008142-1
REMARKS	PART NUMBER

<small>THIS DRAWING IS UNPUBLISHED. RELEASED FOR PUBLICATION BY TYCO ELECTRONICS CORPORATION. ALL RIGHTS RESERVED.</small>		DWN: C. DAILY 23APR2007 CHK: J. LANDIS 23APR2007	Tyco Electronics Harrisburg, PA 17105-3608
DIMENSIONS: IN	TOLERANCES UNLESS OTHERWISE SPECIFIED: 9 PLC ±. 8 PLC ±.01 5 PLC ±.005 4 PLC ±. ANGLES ±1°	PRODUCT SPEC: 108-2275 APPLICATION SPEC: 114-13204 WEIGHT: -	NAME: ASSEMBLY, RECEPTACLE, 2 POSITION, PT LIGHT-N-LOK SIZE: A   00779   C=2008142 SCALE: 4:1 SHEET 1 OF 1 REV A1
MATERIAL: △ FINISH: △		CUSTOMER DRAWING	