



Chipsmall Limited consists of a professional team with an average of over 10 year of expertise in the distribution of electronic components. Based in Hongkong, we have already established firm and mutual-benefit business relationships with customers from,Europe,America and south Asia,supplying obsolete and hard-to-find components to meet their specific needs.

With the principle of “Quality Parts,Customers Priority,Honest Operation,and Considerate Service”,our business mainly focus on the distribution of electronic components. Line cards we deal with include Microchip,ALPS,ROHM,Xilinx,Pulse,ON,Everlight and Freescale. Main products comprise IC,Modules,Potentiometer,IC Socket,Relay,Connector.Our parts cover such applications as commercial,industrial, and automotives areas.

We are looking forward to setting up business relationship with you and hope to provide you with the best service and solution. Let us make a better world for our industry!



Contact us

Tel: +86-755-8981 8866 Fax: +86-755-8427 6832

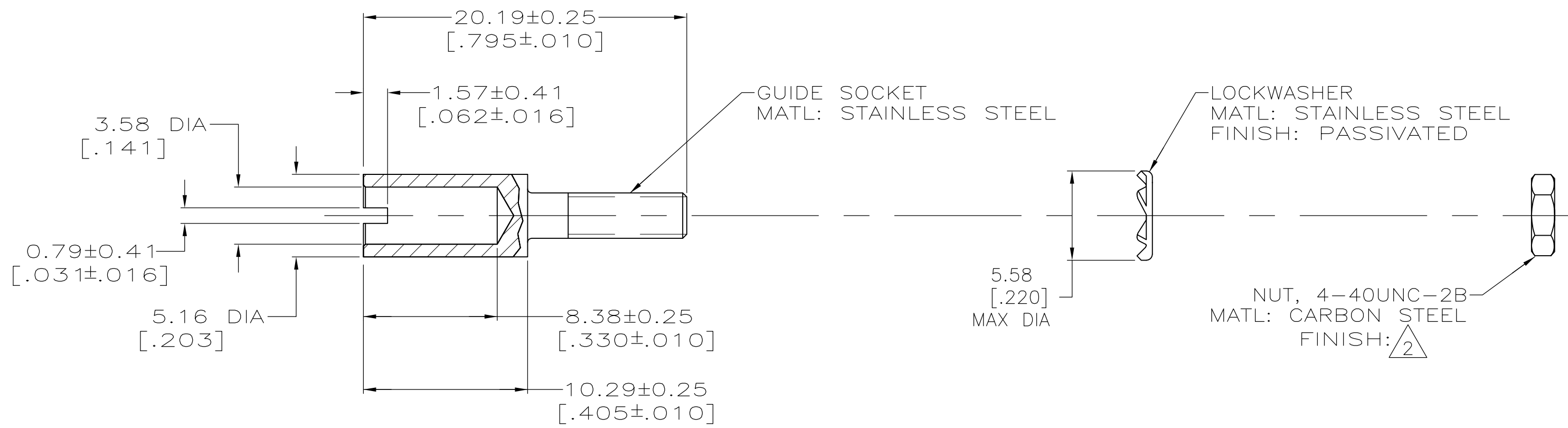
Email & Skype: info@chipsmall.com Web: www.chipsmall.com

Address: A1208, Overseas Decoration Building, #122 Zhenhua RD., Futian, Shenzhen, China



THIS DRAWING IS UNPUBLISHED. RELEASED FOR PUBLICATION
 © COPYRIGHT BY TYCO ELECTRONICS CORPORATION. ALL INTERNATIONAL RIGHTS RESERVED.

LOC	DIST	REVISIONS					
FT	0	P	LTR	DESCRIPTION	DATE	DWN	APVD
			W2	REVISED PER ECO-10-021995	12JAN11	HMR	MG



- $\triangle 2$ ZINC PLATE WITH NON-HEXAVALENT CHROMIUM.
- $\triangle 3$ OBSOLETE PARTS: OBSOLETE CIS STREAMLINING PER D.RENAUD/D.SINISI

	$\triangle 2$	STANDARD	1-200835-1
$\triangle 3$ SUPERSEDED	$\triangle 2$	SMALL PACK	1-200835-0
SUPERSEDED BY 1-200835-1	$\triangle 2$	STANDARD	200835-2
		NUT FINISH	PACKAGING TYPE
			PART NO.

THIS DRAWING IS A CONTROLLED DOCUMENT.		DWN D.GELTZ 04/20/93	Tyco Electronics Corporation Harrisburg, PA 17105-3608	
DIMENSIONS: mm [INCHES]		CHK R.STONE 4-23-93	NAME	
TOLERANCES UNLESS OTHERWISE SPECIFIED:		APVD -	PRODUCT SPEC	
0 PLC ± -		APPLICATION SPEC	GUIDE SOCKET KIT, UNASSEMBLED, CORNER, MINIATURE RECTANGULAR, M SERIES	
1 PLC ± -		WEIGHT -	SIZE A3	CAGE CODE 00779
2 PLC ± 0.38 [.015]			DRAWING NO C-200835	RESTRICTED TO -
3 PLC ± -			SCALE 4:1	SHEET 1 OF 1
4 PLC ± -			REV W2	
ANGLES ± -				
MATERIAL SEE CALLOUTS		FINISH SEE CALLOUTS		
CUSTOMER DRAWING				