



Chipsmall Limited consists of a professional team with an average of over 10 year of expertise in the distribution of electronic components. Based in Hongkong, we have already established firm and mutual-benefit business relationships with customers from,Europe,America and south Asia,supplying obsolete and hard-to-find components to meet their specific needs.

With the principle of “Quality Parts,Customers Priority,Honest Operation,and Considerate Service”,our business mainly focus on the distribution of electronic components. Line cards we deal with include Microchip,ALPS,ROHM,Xilinx,Pulse,ON,Everlight and Freescale. Main products comprise IC,Modules,Potentiometer,IC Socket,Relay,Connector.Our parts cover such applications as commercial,industrial, and automotives areas.

We are looking forward to setting up business relationship with you and hope to provide you with the best service and solution. Let us make a better world for our industry!



## Contact us

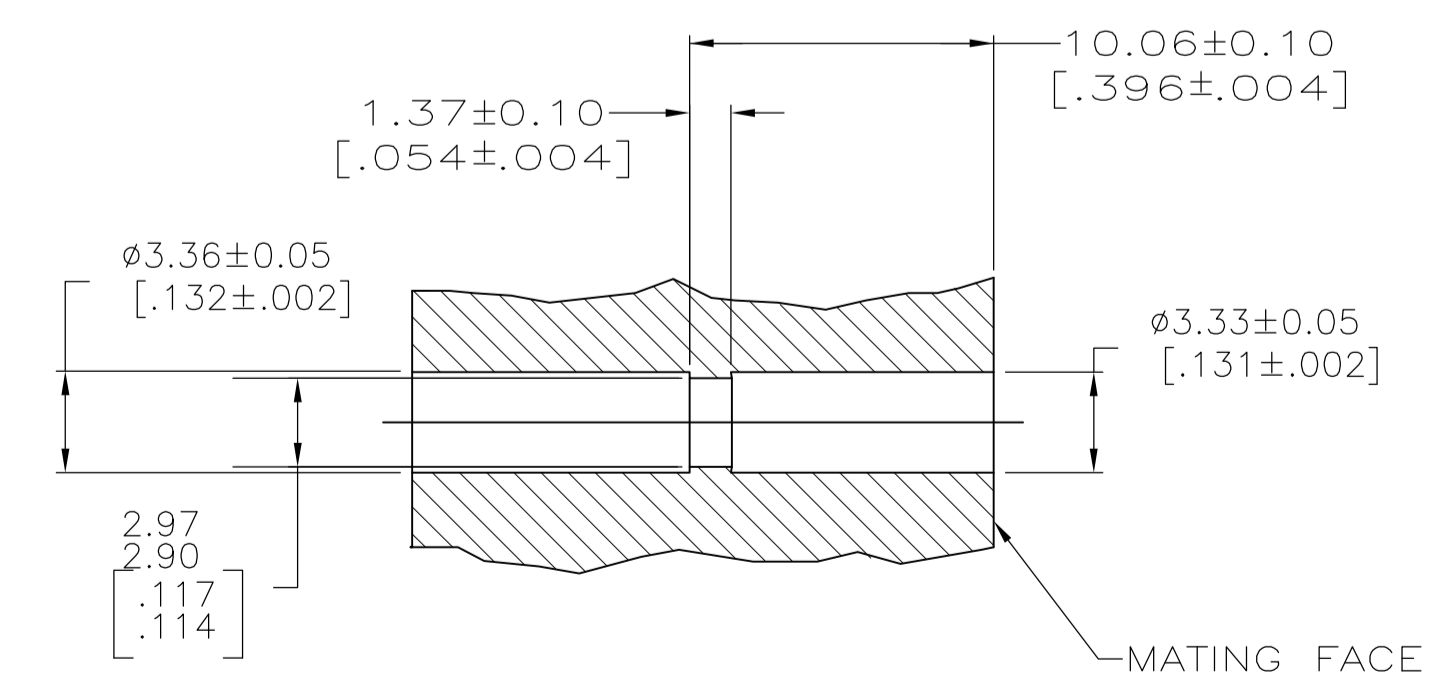
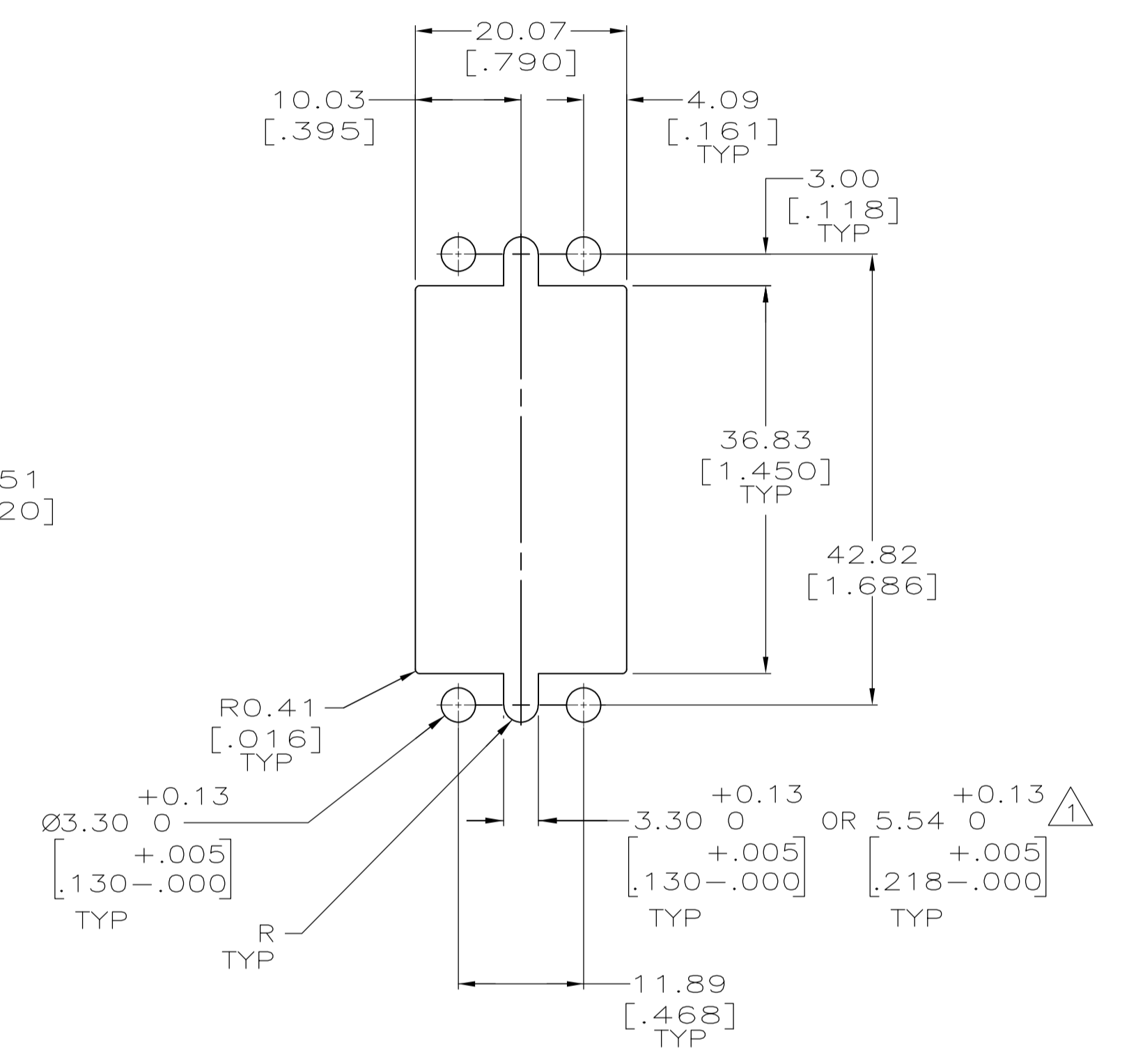
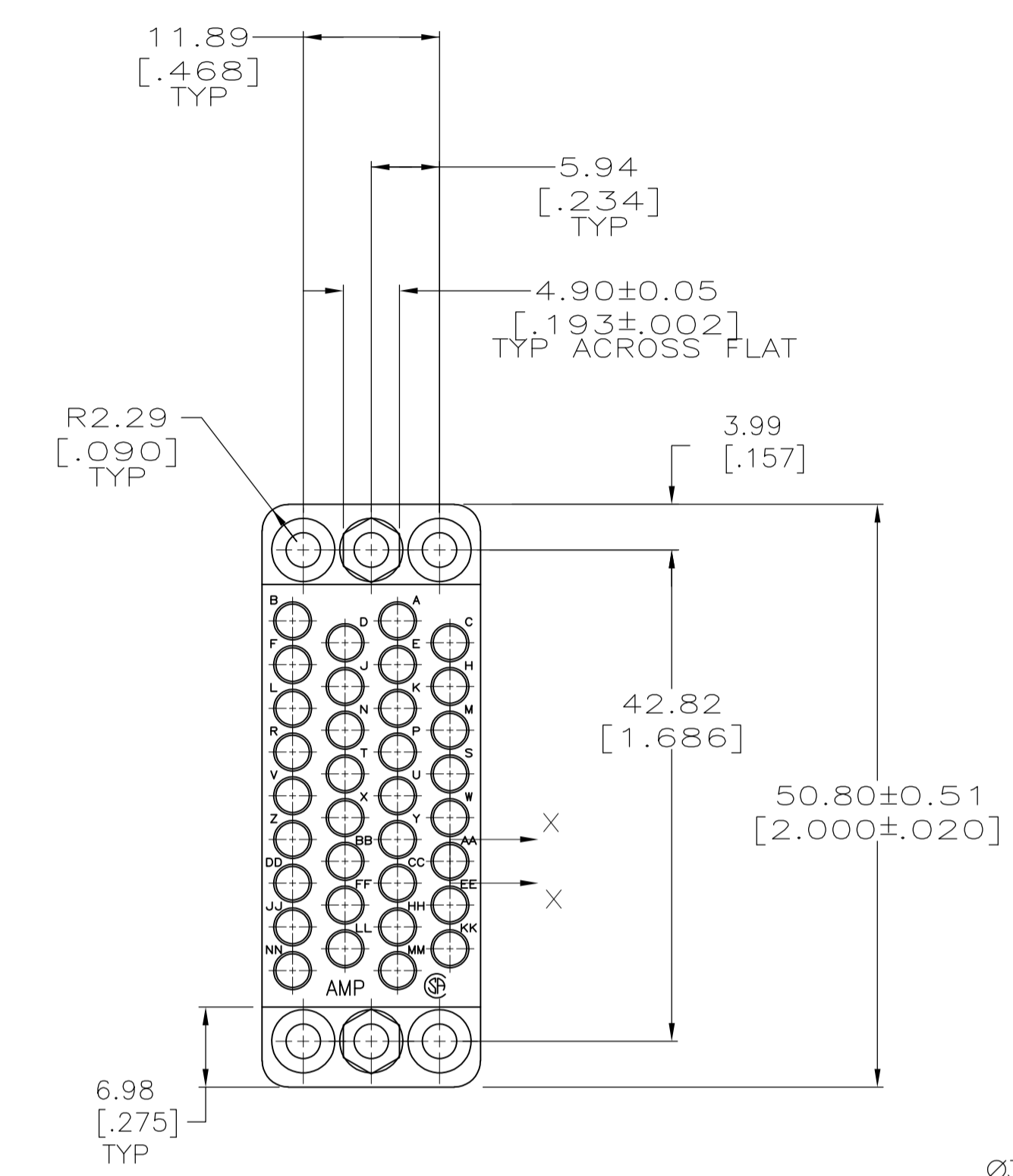
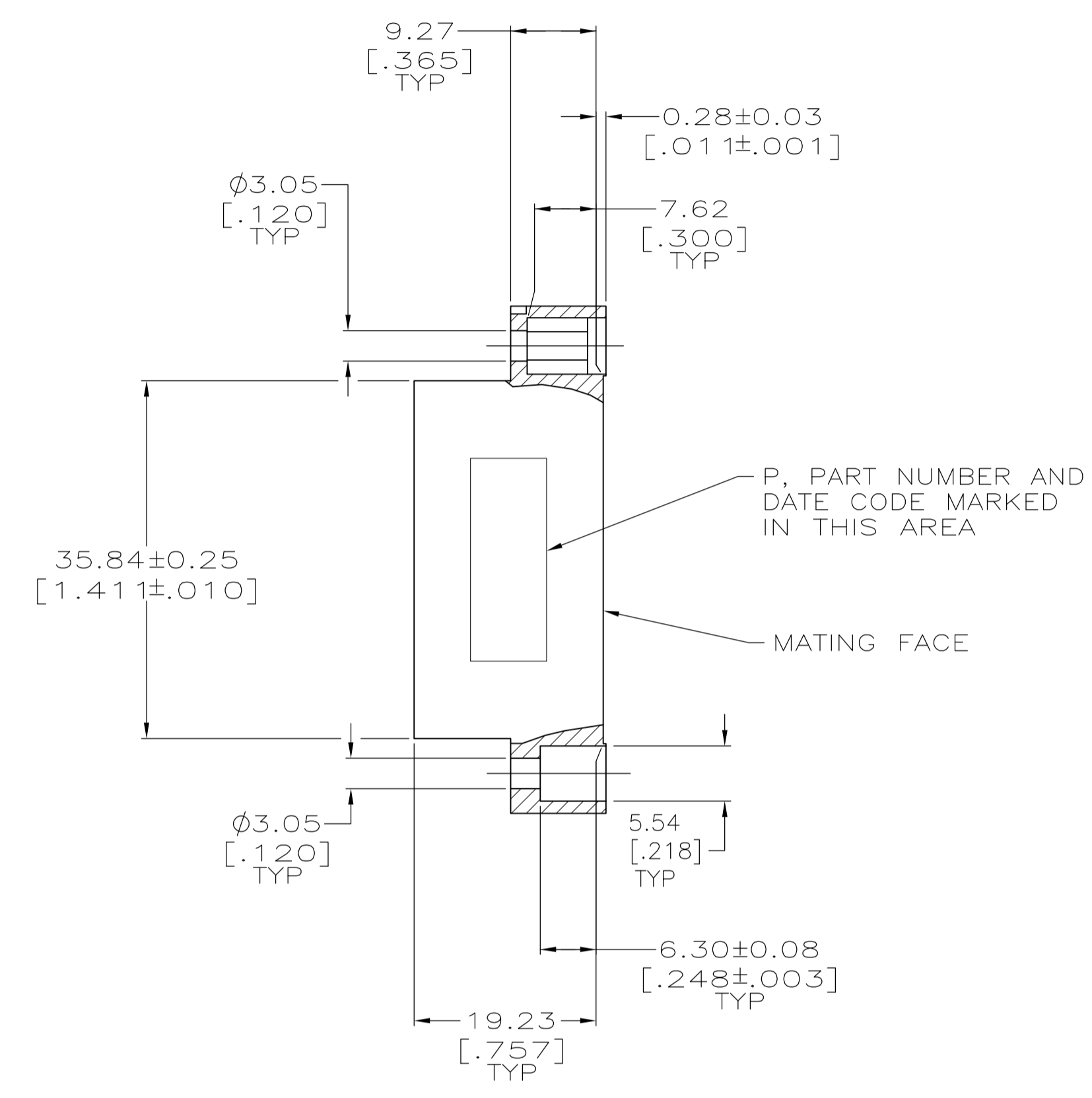
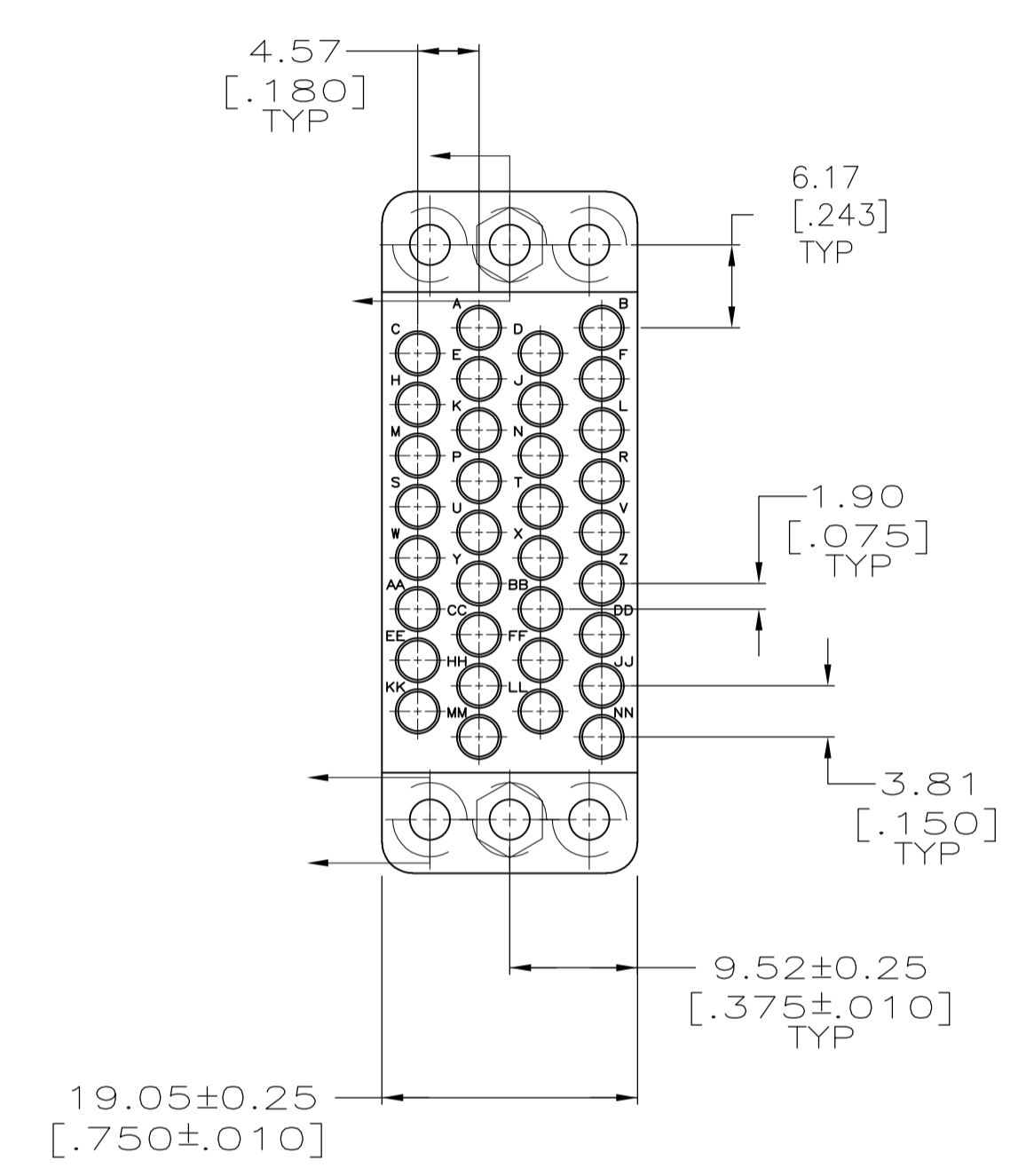
Tel: +86-755-8981 8866 Fax: +86-755-8427 6832

Email & Skype: info@chipsmall.com Web: www.chipsmall.com

Address: A1208, Overseas Decoration Building, #122 Zhenhua RD., Futian, Shenzhen, China



LOC		DIST		REVISIONS			
P	LTR	DESCRIPTION	DATE	DN	APVD		
Z		REVISED PER ECO-07-029096	12/11/07	SS	GS		



⚠ 5.54 [.218] IS REQUIRED WHEN JACKSCREWS ARE USED.  
 2. MATES WITH BLOCK 200838 AND ACCOMMODATES TYPE II #20 CONTACTS.

200837-2  
 PART NUMBER

THIS DRAWING IS A CONTROLLED DOCUMENT.		DN C. OBERMAN 14 OCT 97	Tyco Electronics Corporation Harrisburg, PA 17105-3608	
DIMENSIONS: mm [INCHES]		CHK R. STONE 15 OCT 97	NAME G. STEINHÄUER 09 JAN 98	RESTRICTED TO
TOLERANCES UNLESS OTHERWISE SPECIFIED:		PRODUCT SPEC		
0. PLC ± -		APPLICATION SPEC		
1. PLC ± -		SIZE		
2. PLC ± 0.13 [.005]		CAGE CODE		
3. PLC ± -		DRAWING NO		
4. PLC ± -		WEIGHT		
ANGLES ± -		A1 00779 C=200837		
MATERIAL PHENOLIC, BLACK		FINISH		
		CUSTOMER DRAWING		
		SCALE 2:1 SHEET 1 OF 1 REV Z		