



Chipsmall Limited consists of a professional team with an average of over 10 year of expertise in the distribution of electronic components. Based in Hongkong, we have already established firm and mutual-benefit business relationships with customers from,Europe,America and south Asia,supplying obsolete and hard-to-find components to meet their specific needs.

With the principle of "Quality Parts,Customers Priority,Honest Operation,and Considerate Service",our business mainly focus on the distribution of electronic components. Line cards we deal with include Microchip,ALPS,ROHM,Xilinx,Pulse,ON,Everlight and Freescale. Main products comprise IC,Modules,Potentiometer,IC Socket,Relay,Connector.Our parts cover such applications as commercial,industrial, and automotives areas.

We are looking forward to setting up business relationship with you and hope to provide you with the best service and solution. Let us make a better world for our industry!



Contact us

Tel: +86-755-8981 8866 Fax: +86-755-8427 6832

Email & Skype: info@chipsmall.com Web: www.chipsmall.com

Address: A1208, Overseas Decoration Building, #122 Zhenhua RD., Futian, Shenzhen, China



4

3

2

1

THIS DRAWING IS UNPUBLISHED. RELEASED FOR PUBLICATION 20
 © COPYRIGHT 20 BY - ALL RIGHTS RESERVED.

REVISIONS				
P	LTR	DESCRIPTION	DATE	APVD
A4		REVISED PER ECR-09-013820	17JUL2009	HMR DD
A5		REVISED PER ECR-16-015337	03NOV2016	RK ASM

NOTES:

- MATERIAL:
 HOUSING - PBT, UL94-V0, COLOR BLACK(2008552-2 & -3) OR
 PBT, UL94-V0, COLOR GRAY(1-2008552-2)
 CONTACTS - PHOSPHOR BRONZE
 0.35 MM STOCK THICKNESS
- PLATING:
 CONTACTS - PRE PLATED TIN OVER NICKEL
- WIRE SIZE: 18 AWG SOLID
 2.2 MM MAX INSULATION DIAMETER
 9.5±1.0 MM INSULATION STRIP LENGTH

△ SUPERSEDED BY P/N 1-2008552-2.

PCB LAYOUT
 VIEWED FROM CONNECTOR SIDE
 SCALE 4:1

WIDTH OF SOLDER TAIL

BOARDLOCK REMOVED
 FROM VIEW FOR CLARITY

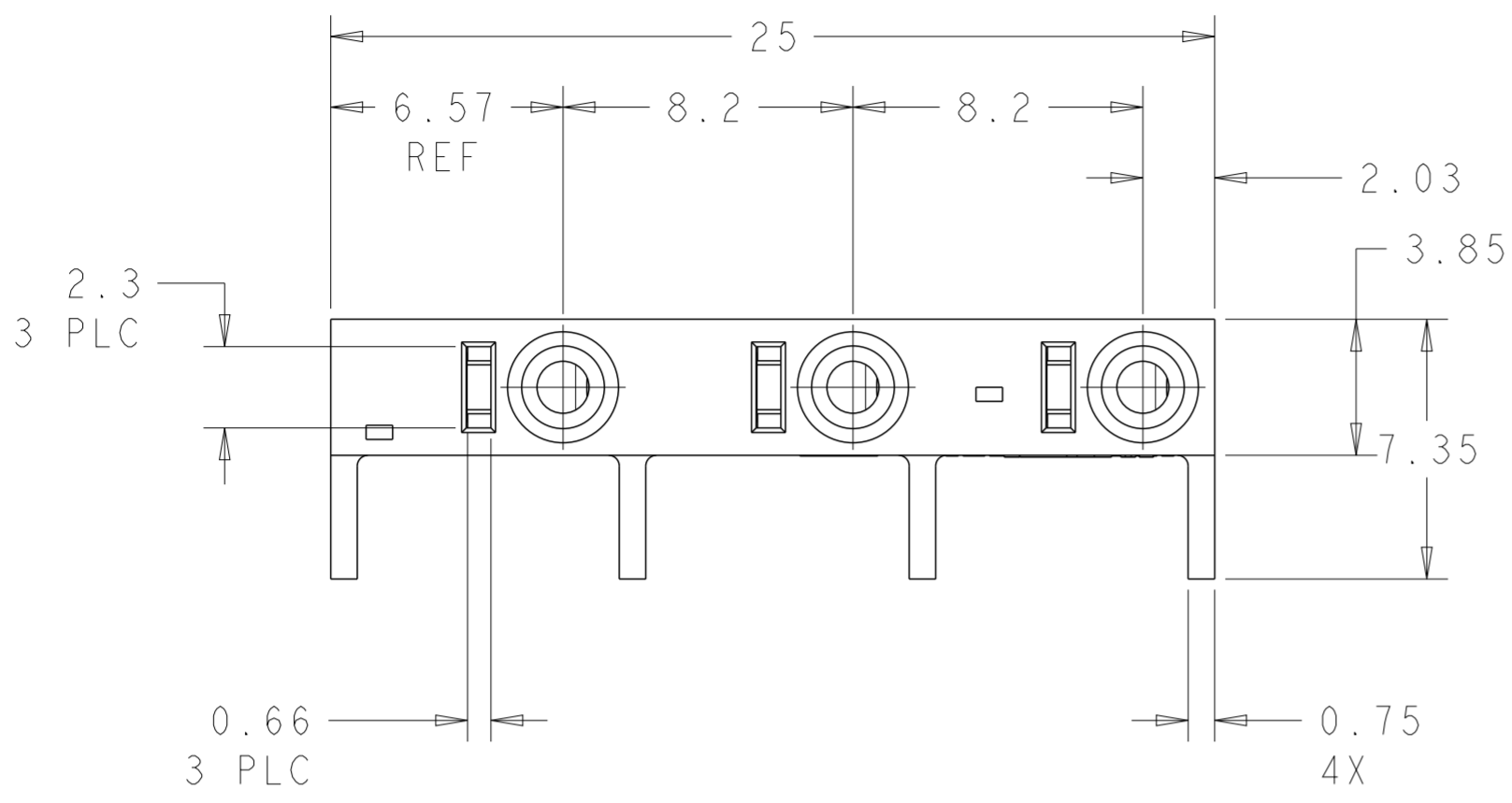
△ OBSOLETE	GRAY	2 POSITION CONNECTOR	1-2008552-2
	BLACK	2 POSITION CONNECTOR	2008552-2
	HOUSING COLOR	DESCRIPTION	PART NO

THIS DRAWING IS A CONTROLLED DOCUMENT.		DWN S FISHER 12OCT2007	TE Connectivity					
DIMENSIONS: mm		CHK S HORST 12OCT2007			NAME ASSEMBLY, WIRE CONNECTOR IN-LINE VERTICAL SCREWLESS			
TOLERANCES UNLESS OTHERWISE SPECIFIED:		APVD - 12OCT2007						
0 PLC ± 1 PLC ±0.5 2 PLC ±0.13 3 PLC ±0.013 4 PLC ±0.0001 ANGLES ± FINISH -		PRODUCT SPEC 108-2059-1	SIZE A2	CAGE CODE 00779	DRAWING NO C-2008552	RESTRICTED TO -		
MATERIAL -		APPLICATION SPEC 114-13223	WEIGHT -	CUSTOMER DRAWING		SCALE 3:1	SHEET 1 OF 2	REV A5

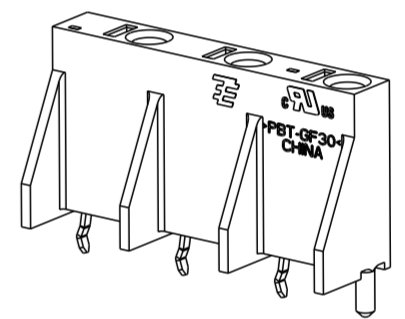
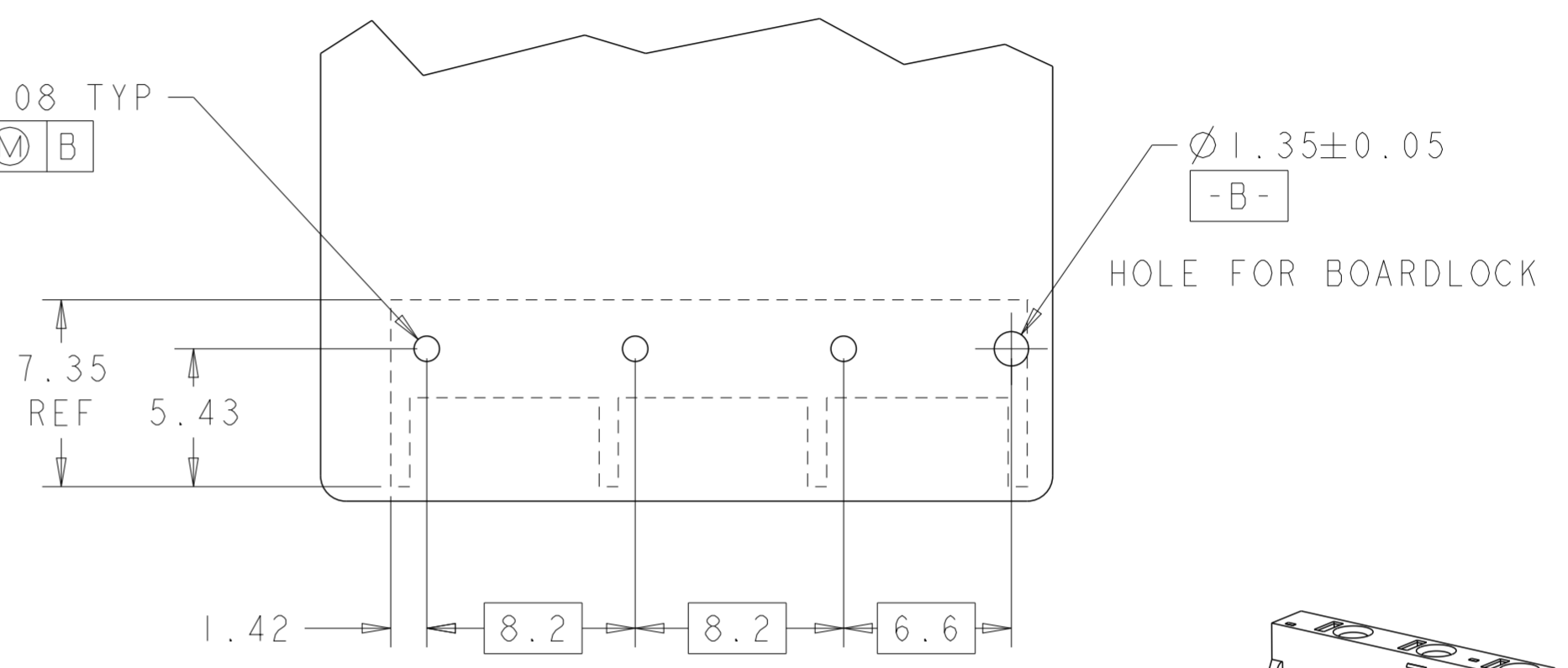
1471-9 (3/13)

THIS DRAWING IS UNPUBLISHED. RELEASED FOR PUBLICATION 20
 © COPYRIGHT 20 BY - ALL RIGHTS RESERVED.

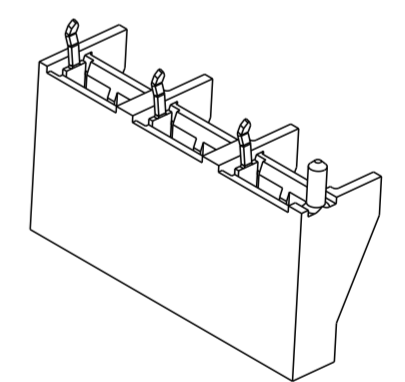
REVISIONS				
P	LTR	DESCRIPTION	DATE	APVD
-	-	SEE SHEET 1	-	-



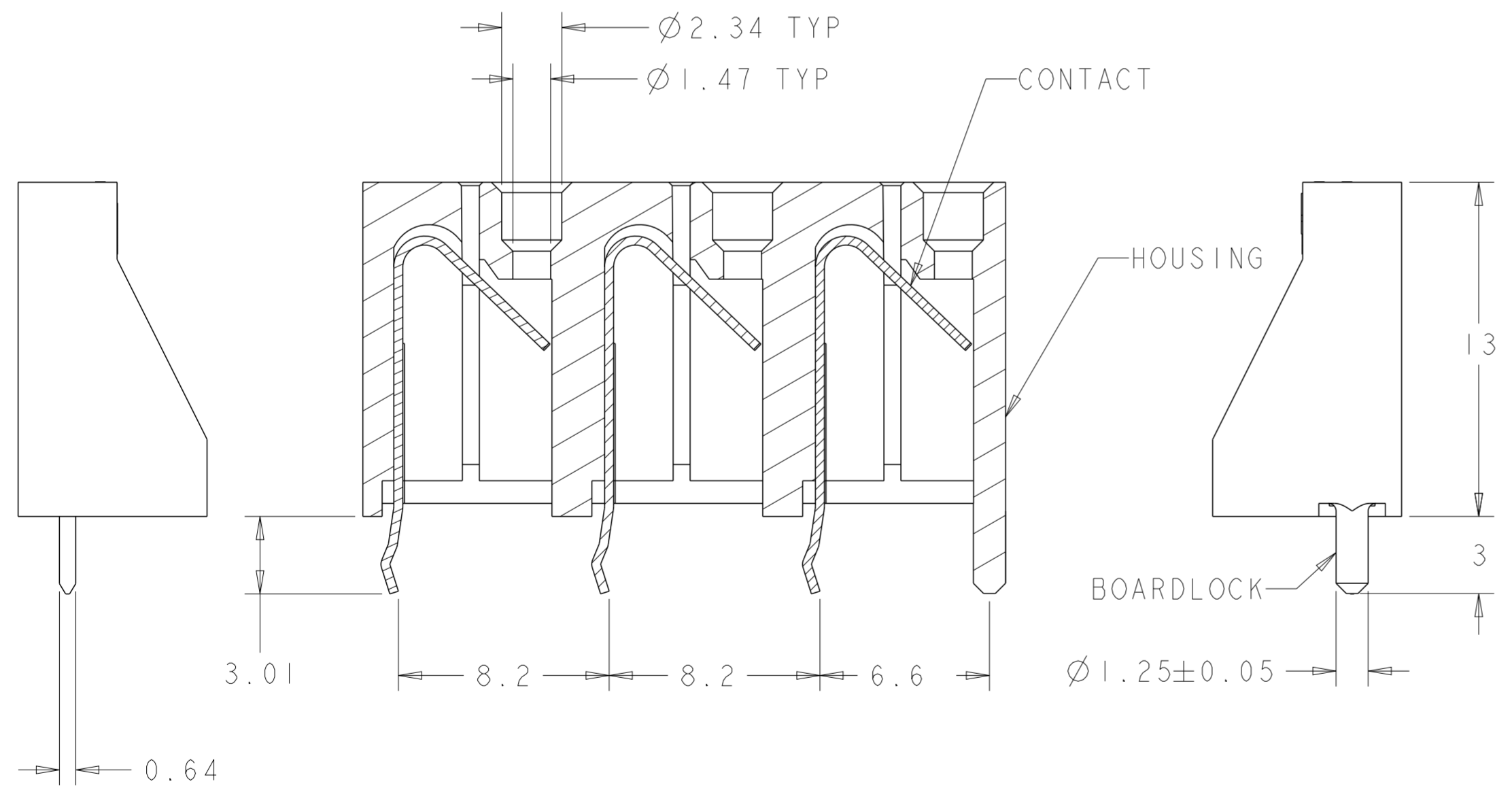
$\varnothing 1 \pm 0.08$ TYP
 $\varnothing 0.1 \text{ M } B$



SCALE 4:1



SCALE 2:1



WIDTH OF SOLDER TAIL
 BOARDLOCK REMOVED
 FROM VIEW FOR CLARITY

SECTION Z-Z

THIS DRAWING IS A CONTROLLED DOCUMENT.	
DIMENSIONS:	TOLERANCES UNLESS OTHERWISE SPECIFIED:
mm	0 PLC ±
	1 PLC ±0.5
	2 PLC ±0.13
	3 PLC ±0.013
	4 PLC ±0.0001
	ANGLES ±
MATERIAL	FINISH
-	-
-	-

3 POSITION CONNECTOR		2008552-3	
DESCRIPTION		PART NO	
DWN S FISHER 12OCT2007 CHK S HORST 12OCT2007 APVD - 12OCT2007		STE TE Connectivity	
PRODUCT SPEC 108-2059-1 APPLICATION SPEC 114-13223		NAME ASSEMBLY, WIRE CONNECTOR IN-LINE VERTICAL SCREWLESS	
SIZE	CAGE CODE	DRAWING NO	RESTRICTED TO
A2	00779	C-2008552	-
CUSTOMER DRAWING		SCALE 3:1	SHEET 2 OF 2 REV A5