



Chipsmall Limited consists of a professional team with an average of over 10 year of expertise in the distribution of electronic components. Based in Hongkong, we have already established firm and mutual-benefit business relationships with customers from,Europe,America and south Asia,supplying obsolete and hard-to-find components to meet their specific needs.

With the principle of “Quality Parts,Customers Priority,Honest Operation,and Considerate Service”,our business mainly focus on the distribution of electronic components. Line cards we deal with include Microchip,ALPS,ROHM,Xilinx,Pulse,ON,Everlight and Freescale. Main products comprise IC,Modules,Potentiometer,IC Socket,Relay,Connector.Our parts cover such applications as commercial,industrial, and automotives areas.

We are looking forward to setting up business relationship with you and hope to provide you with the best service and solution. Let us make a better world for our industry!



## Contact us

Tel: +86-755-8981 8866 Fax: +86-755-8427 6832

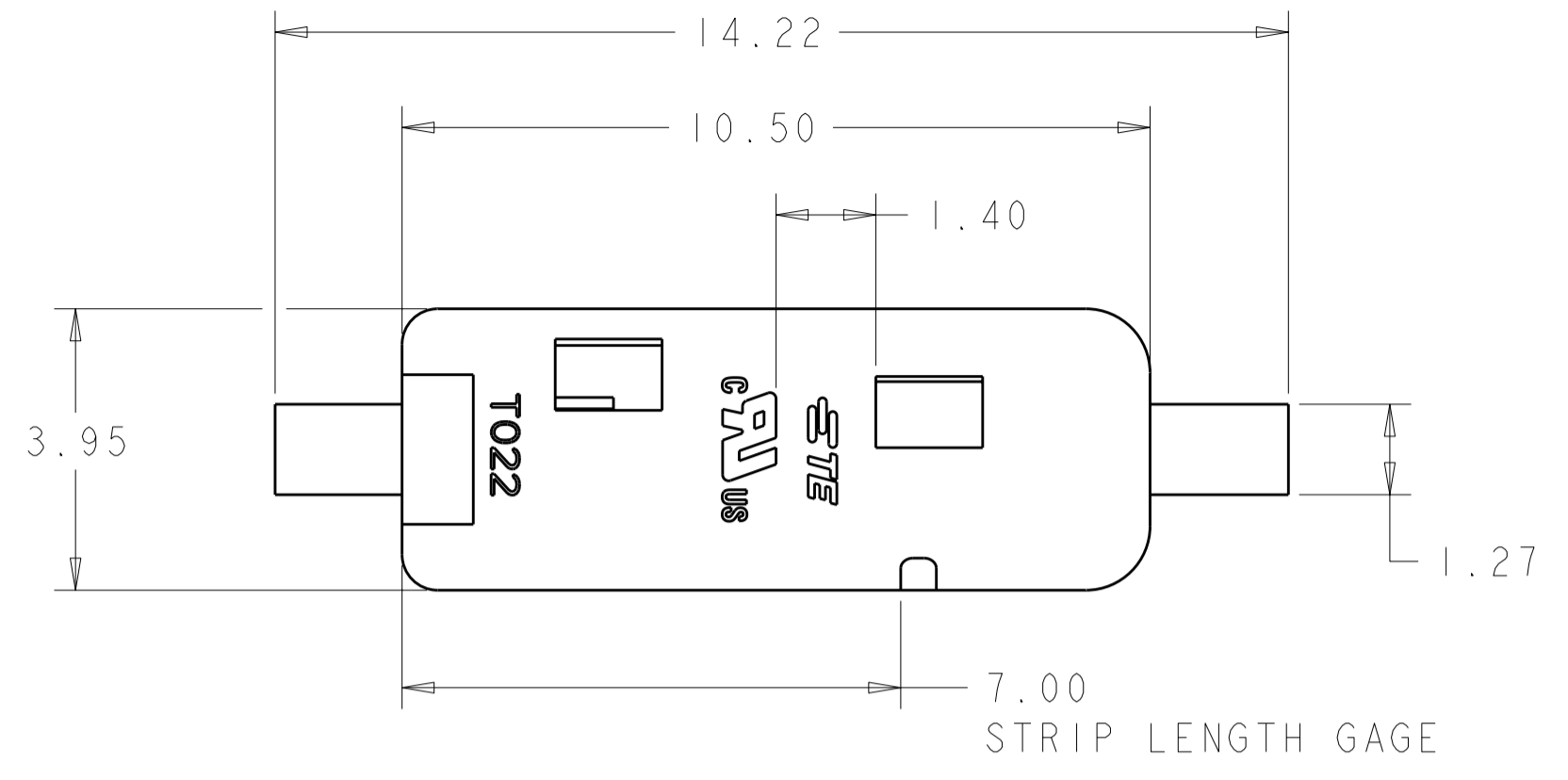
Email & Skype: info@chipsmall.com Web: www.chipsmall.com

Address: A1208, Overseas Decoration Building, #122 Zhenhua RD., Futian, Shenzhen, China

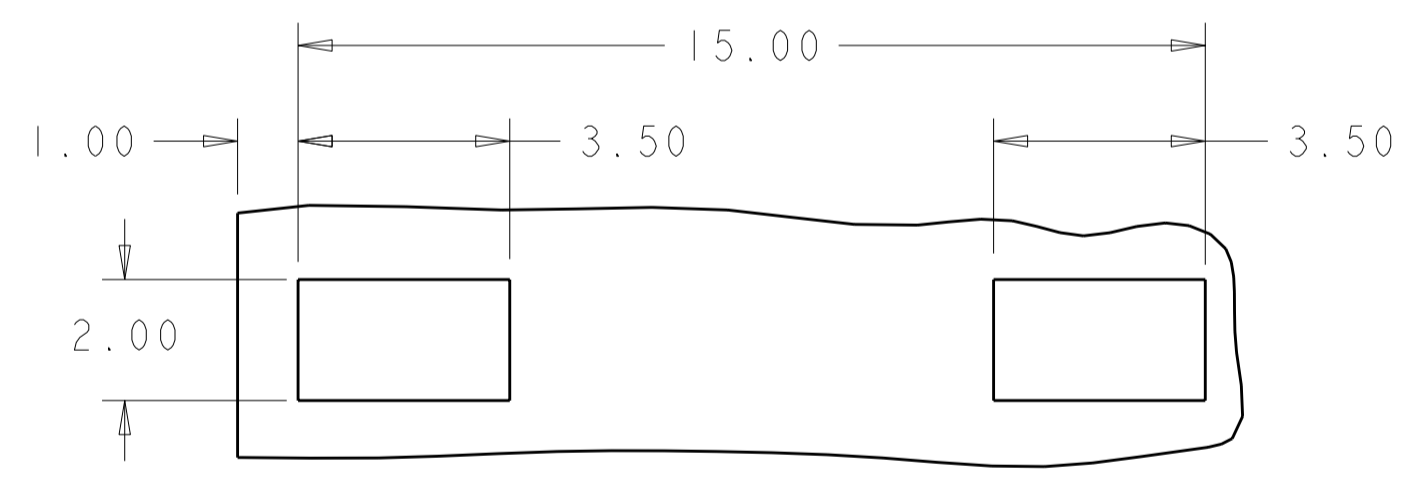
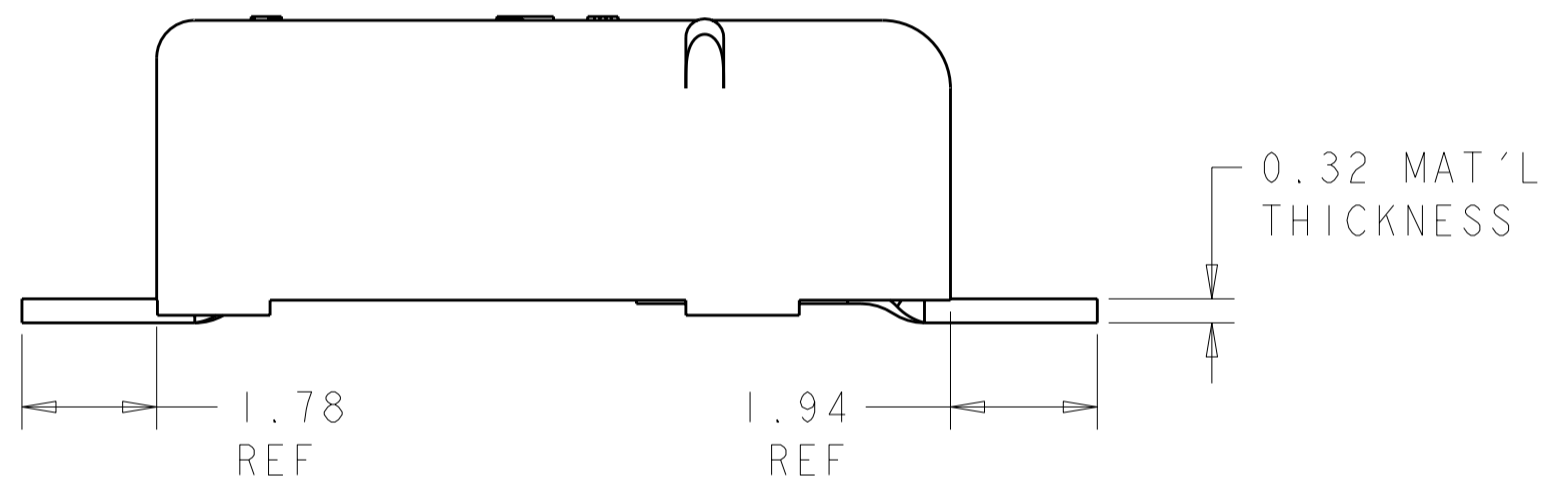
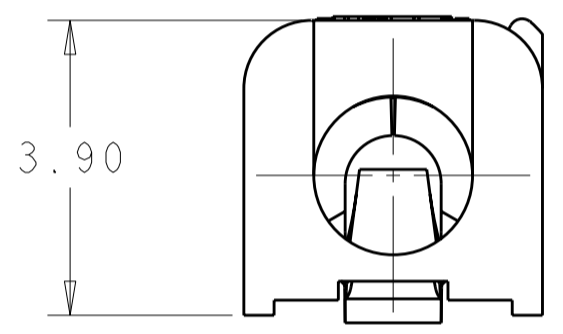


THIS DRAWING IS UNPUBLISHED. RELEASED FOR PUBLICATION 20  
 © COPYRIGHT 20 ALL RIGHTS RESERVED.

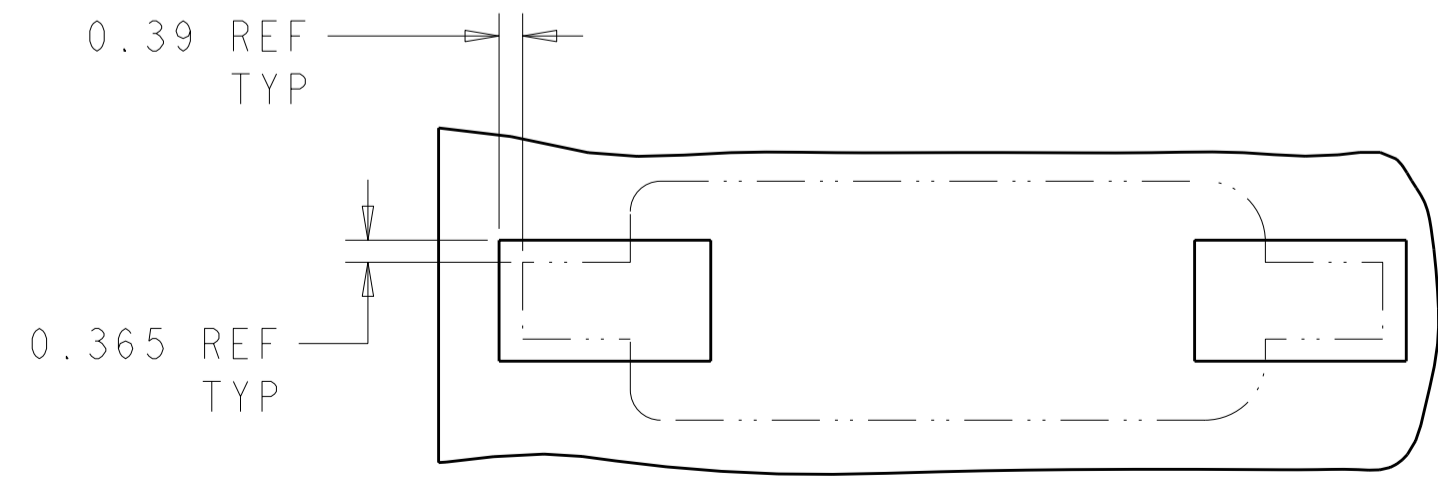
REVISIONS					
P	LTR	DESCRIPTION	DATE	DWN	APVD
A2		REVISED PER ECR-09-006358	19MAR2009	HMR	DD
A3		REVISED PER ECR-11-011090	03JUN2011	SK	DD



- △ 1. MATERIALS AND FINISH:  
 - HOUSING: LCP, COLOR: WHITE  
 - CONTACTS: COPPER ALLOY, FINISH: TIN
2. MUST COMPLY WITH DIRECTIVE 2002/95/EC (ROHS)
3. WIRE TYPES AND SIZES ACCEPTED  
 18, 20 AND 22 AWG SOLID WIRE  
 18 AND 20 AWG PREBOND STRANDED WIRE  
 18 AWG STRANDED WIRE (16 STRAND COUNT)  
 MAX INSULATION OD: 2.10 MM (.083")  
 STRIP LENGTH: 7.0±1.0 (.276")
4. PACKAGED IN TAPE AND REEL.



RECOMMENDED PCB LAYOUT  
SCALE 8:1



RECOMMENDED CONNECTOR PLACEMENT  
SCALE 8:1

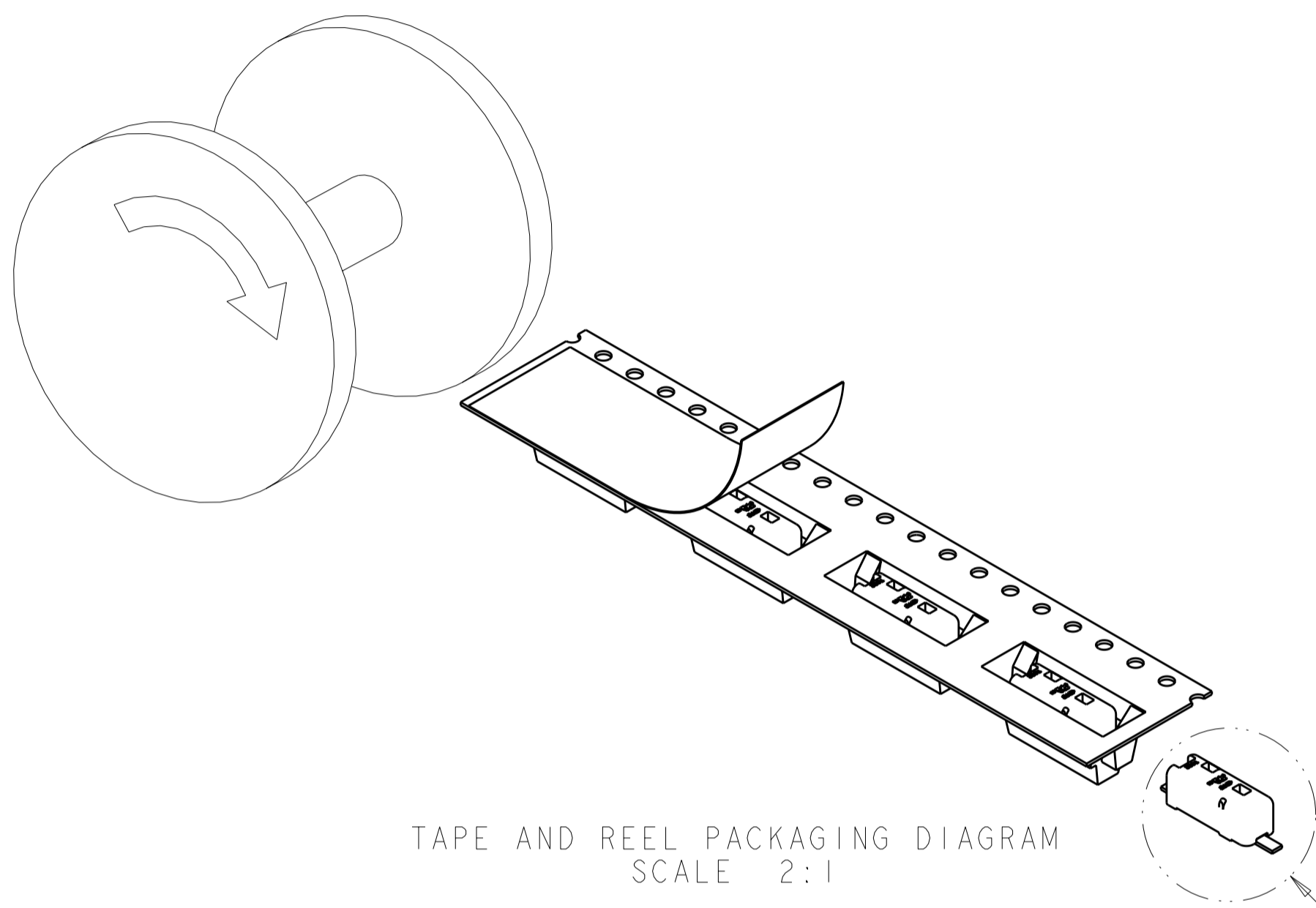
- △ 5. MATERIALS AND FINISH:  
 - HOUSING: LCP, COLOR: BLACK  
 - CONTACTS: COPPER ALLOY, FINISH: TIN

△ 5	BLACK	2008563-2
△ 1	WHITE	2008563-1
MATERIAL	COLOR	PART NUMBER

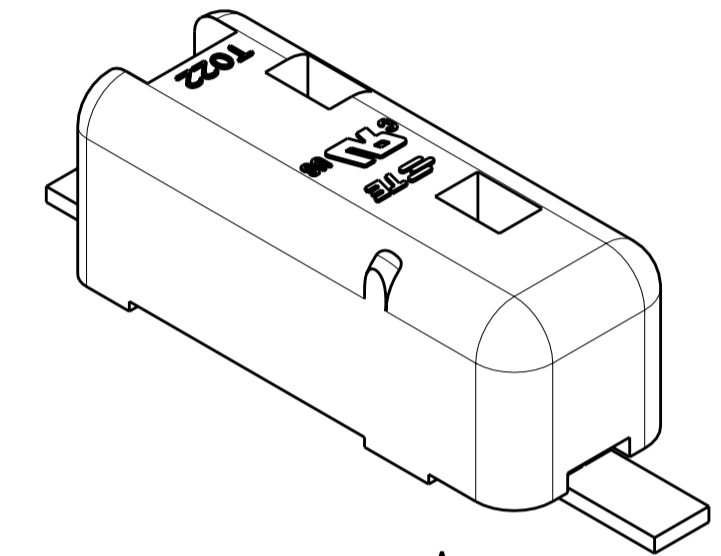
THIS DRAWING IS A CONTROLLED DOCUMENT.		DWN: GURURAJ S 17OCT2007	TE Connectivity	
DIMENSIONS: mm		CHK: -		
TOLERANCES UNLESS OTHERWISE SPECIFIED:		APVD: -	NAME: POKE-IN CONNECTOR ASSEMBLY, 1 POSITION SMT	
0 PLC ±		PRODUCT SPEC: -	SIZE: A2	
1 PLC ±0.5		APPLICATION SPEC: -	CAGE CODE: 00779	DRAWING NO: 2008563
2 PLC ±0.10		WEIGHT: -	RESTRICTED TO: -	
3 PLC ±		CUSTOMER DRAWING	SCALE: 10:1	SHEET 1 OF 2
4 PLC ±				REV A3
ANGLES ±3°				
FINISH				
SEE TABLE				

THIS DRAWING IS UNPUBLISHED.      RELEASED FOR PUBLICATION      20  
 © COPYRIGHT 20      ALL RIGHTS RESERVED.

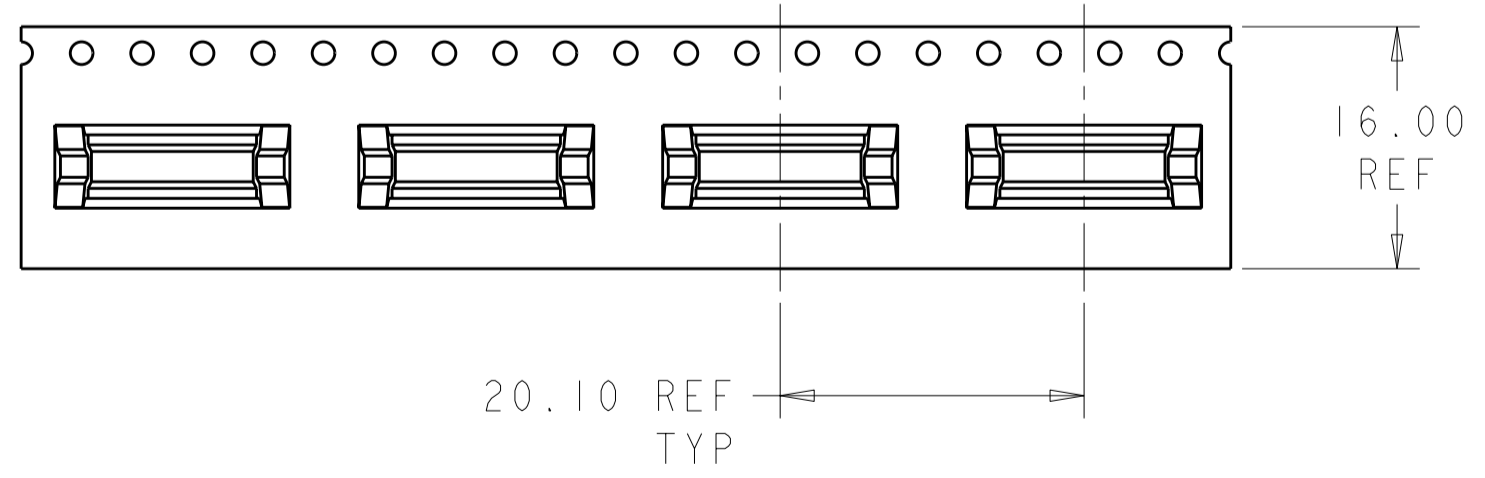
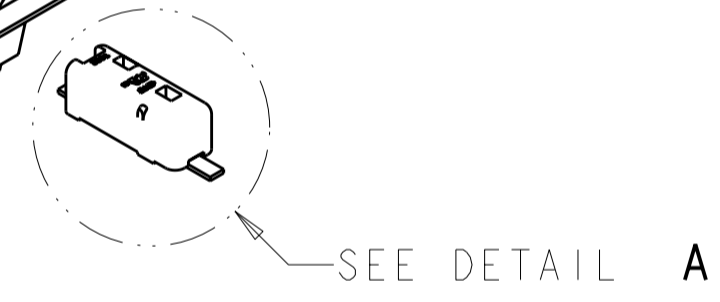
LOC		DIST		REVISIONS			
P	LTR	DESCRIPTION	DATE	DWN	APVD		
-	-	SEE SHEET 1	-	-	-		



TAPE AND REEL PACKAGING DIAGRAM  
 SCALE 2:1



DETAIL A  
 SCALE 8:1



THIS DRAWING IS A CONTROLLED DOCUMENT.		DWN 17OCT2007 GURURAJ S	TE Connectivity	
DIMENSIONS: mm		CHK -		
TOLERANCES UNLESS OTHERWISE SPECIFIED:		APVD -	POKE-IN CONNECTOR ASSEMBLY, 1 POSITION SMT	
0 PLC ±-		PRODUCT SPEC	SIZE	RESTRICTED TO
1 PLC ±0.5		APPLICATION SPEC	CAGE CODE	
2 PLC ±0.10		WEIGHT	DRAWING NO	
3 PLC ±-			A200779	
4 PLC ±-			C-2008563	
ANGLES ±3°				
FINISH				
MATERIAL	SEE TABLE	CUSTOMER DRAWING	SCALE 10:1	SHEET 2 OF 2
				REV A3