



Chipsmall Limited consists of a professional team with an average of over 10 year of expertise in the distribution of electronic components. Based in Hongkong, we have already established firm and mutual-benefit business relationships with customers from,Europe,America and south Asia,supplying obsolete and hard-to-find components to meet their specific needs.

With the principle of “Quality Parts,Customers Priority,Honest Operation,and Considerate Service”,our business mainly focus on the distribution of electronic components. Line cards we deal with include Microchip,ALPS,ROHM,Xilinx,Pulse,ON,Everlight and Freescale. Main products comprise IC,Modules,Potentiometer,IC Socket,Relay,Connector.Our parts cover such applications as commercial,industrial, and automotives areas.

We are looking forward to setting up business relationship with you and hope to provide you with the best service and solution. Let us make a better world for our industry!



Contact us

Tel: +86-755-8981 8866 Fax: +86-755-8427 6832

Email & Skype: info@chipsmall.com Web: www.chipsmall.com

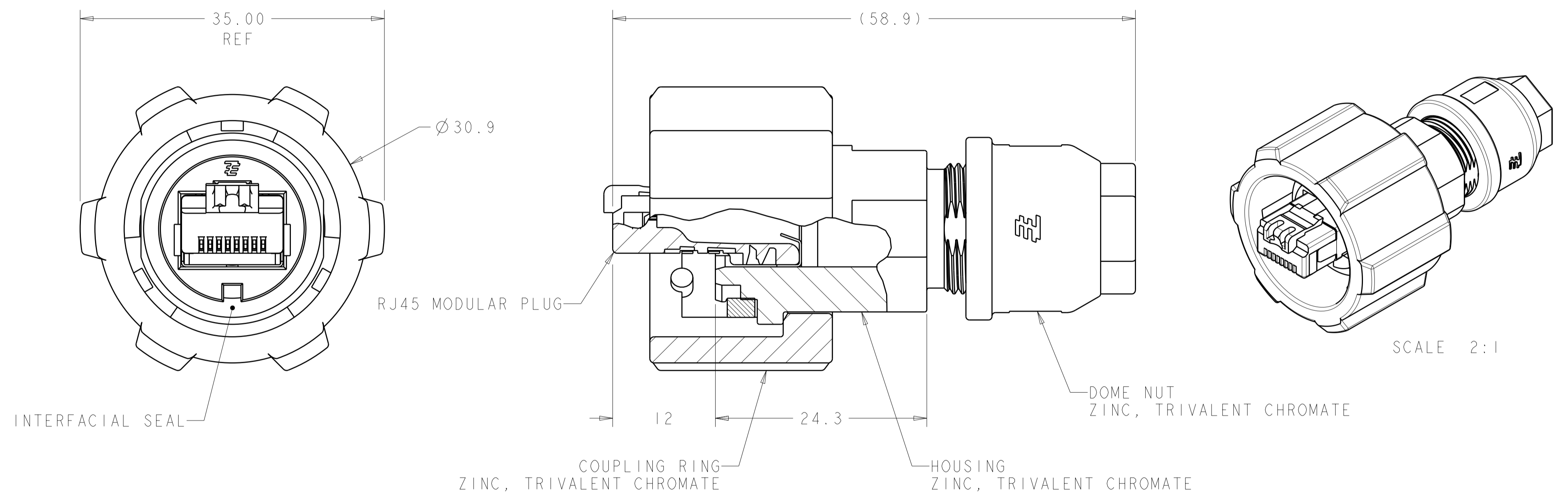
Address: A1208, Overseas Decoration Building, #122 Zhenhua RD., Futian, Shenzhen, China



THIS DRAWING IS UNPUBLISHED. RELEASED FOR PUBLICATION 20
 © COPYRIGHT 20 BY TYCO ELECTRONICS CORPORATION. ALL RIGHTS RESERVED.

LOC		DIST		REVISIONS			
P	LTR	DESCRIPTION	DATE	DWN	APVD		
	A2	REVISED PER ECO-11-004109	28FEB2011	HMR	MS		

- 1. CABLE DIAMETER RANGE: $\varnothing 4.5 - \varnothing 7.9$
- 2. 36.9 IN-LBS TORQUE RECOMMENDED FOR DOME NUT.
- 3. INTERFACIAL SEAL IS SECURED TO HOUSING WITH ADHESIVE.
- 4. MOD PLUG ASSEMBLY CABLE DIAMETER RANGE 4.83 [.190] TO 5.20 [.205].
- 5. MOD PLUG ASSEMBLY CABLE DIAMETER RANGE 6.99 [.275] TO 7.87 [.310].



5	SOLID OR STRANDED	2008614-3
4	SOLID WIRE	2008614-2
	STRANDED WIRE	2008614-1
	WIRE TYPE	PART NUMBER

<small>THIS DRAWING IS A CONTROLLED DOCUMENT FOR TYCO ELECTRONICS CORPORATION IT IS SUBJECT TO CHANGE AND THE CONTROLLING ENGINEERING ORGANIZATION SHOULD BE CONTACTED FOR THE LATEST REVISION.</small>		DWN S. WELDON 26MAR2008 CHK C. HERTZLER 26MAR2008 APVD C. HERTZLER 26MAR2008	Tyco Electronics Tyco Electronics Harrisburg, PA 17105-3608
DIMENSIONS: mm 	TOLERANCES UNLESS OTHERWISE SPECIFIED: 0 PLC ± 1.0 1 PLC ± 0.2 2 PLC ± 0.10 3 PLC ± 0.000 4 PLC ± 0.0000 ANGLES $\pm 1^\circ$ FINISH	PRODUCT SPEC 108-2198 APPLICATION SPEC 114-13136 WEIGHT - CUSTOMER DRAWING	NAME PLUG KIT, SHIELDED, INDUSTRIAL CIRCULAR ETHERNET CONNECTOR SIZE A2 CAGE CODE 00779 DRAWING NO. 2008614 RESTRICTED TO - SCALE 3:1 SHEET 1 OF 1 REV A2