



Chipsmall Limited consists of a professional team with an average of over 10 year of expertise in the distribution of electronic components. Based in Hongkong, we have already established firm and mutual-benefit business relationships with customers from,Europe,America and south Asia,supplying obsolete and hard-to-find components to meet their specific needs.

With the principle of “Quality Parts,Customers Priority,Honest Operation,and Considerate Service”,our business mainly focus on the distribution of electronic components. Line cards we deal with include Microchip,ALPS,ROHM,Xilinx,Pulse,ON,Everlight and Freescale. Main products comprise IC,Modules,Potentiometer,IC Socket,Relay,Connector.Our parts cover such applications as commercial,industrial, and automotives areas.

We are looking forward to setting up business relationship with you and hope to provide you with the best service and solution. Let us make a better world for our industry!



Contact us

Tel: +86-755-8981 8866 Fax: +86-755-8427 6832

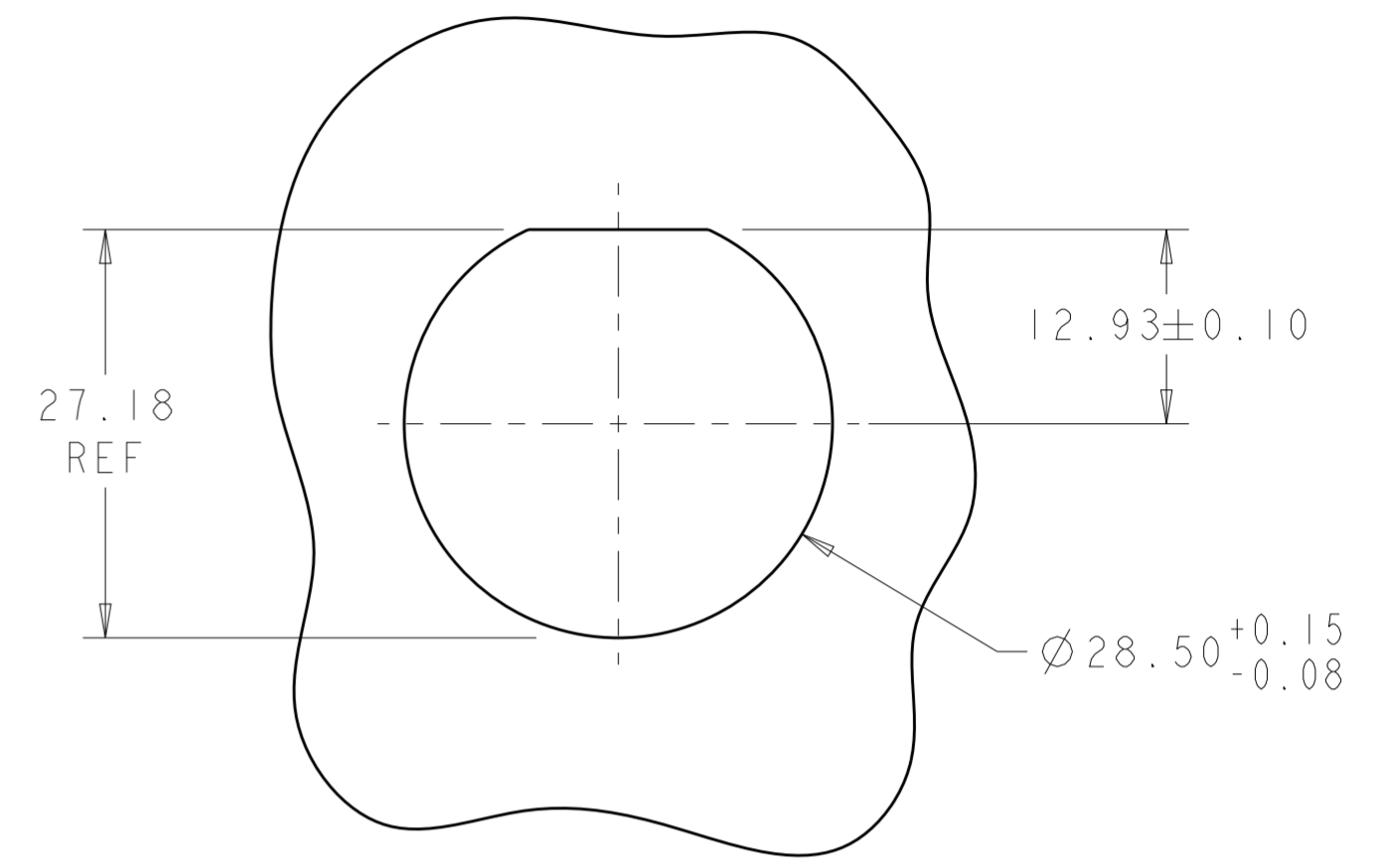
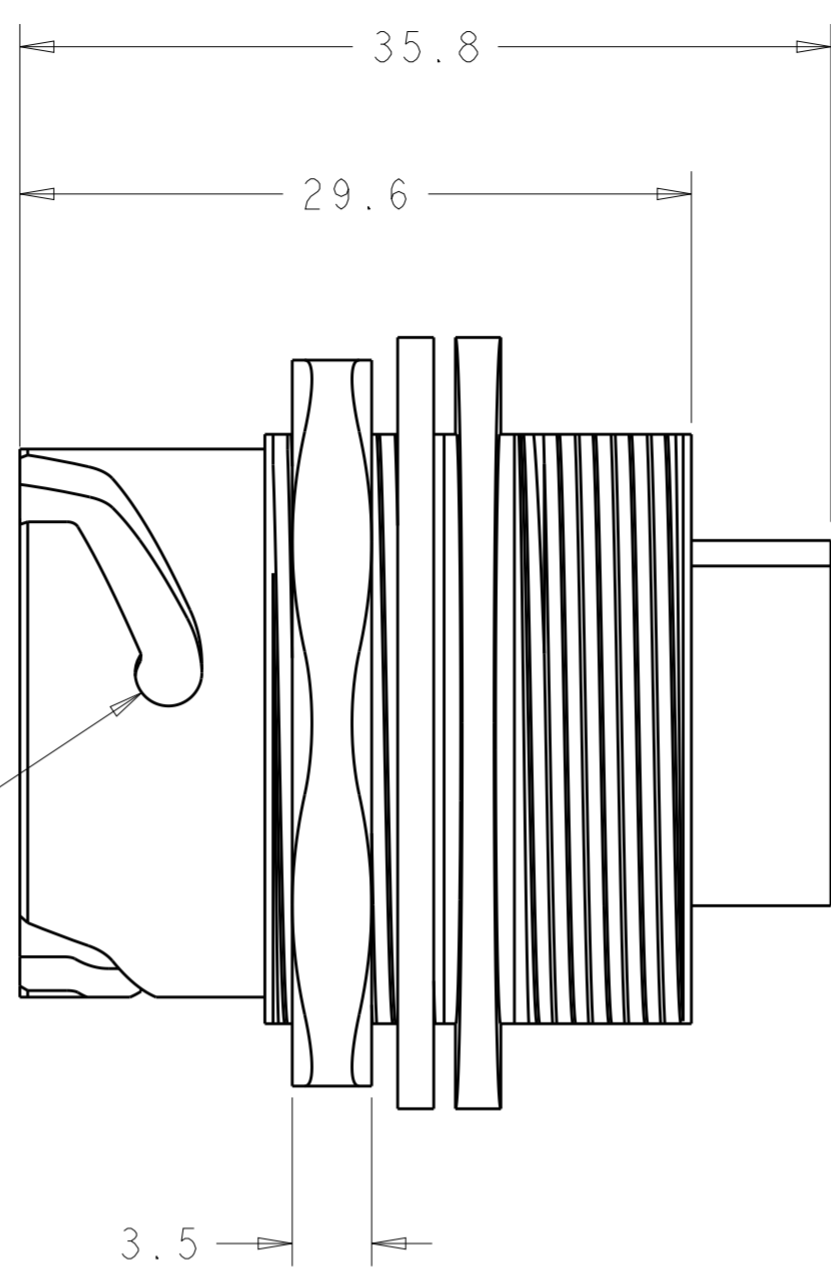
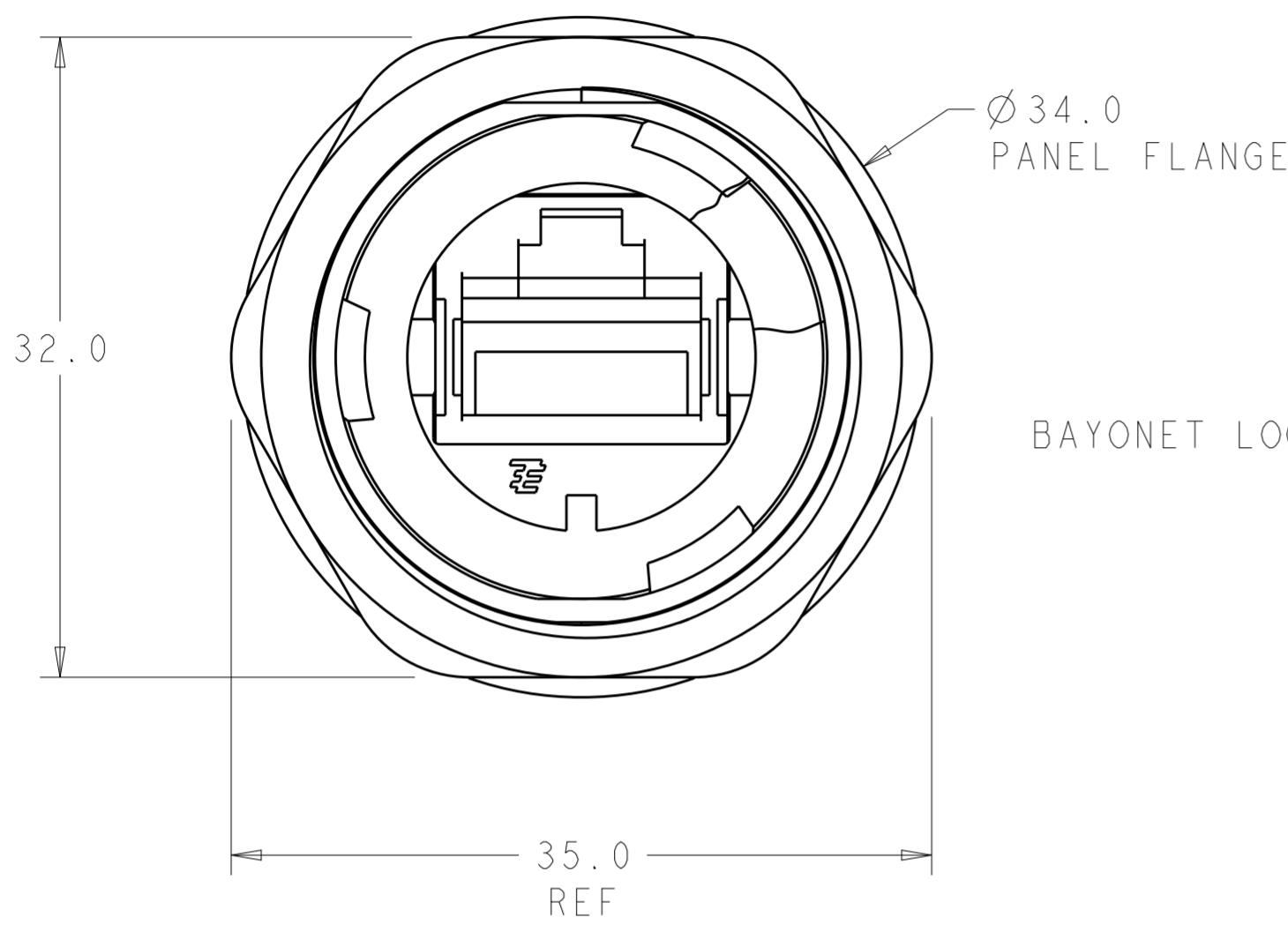
Email & Skype: info@chipsmall.com Web: www.chipsmall.com

Address: A1208, Overseas Decoration Building, #122 Zhenhua RD., Futian, Shenzhen, China

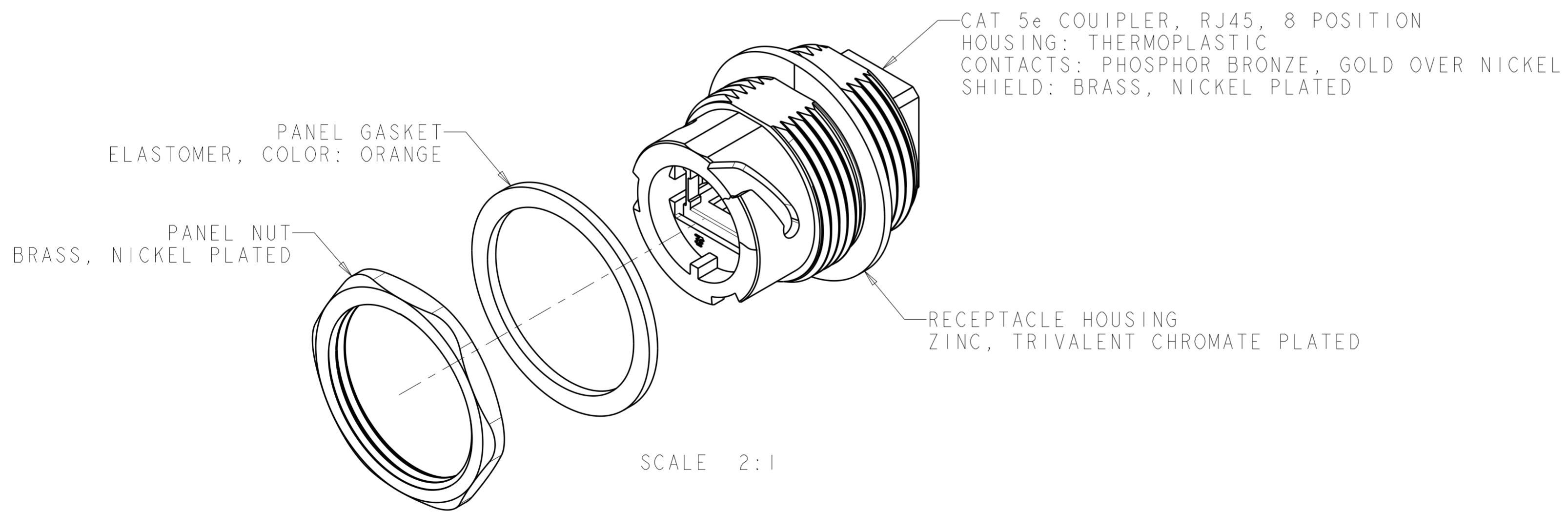


THIS DRAWING IS UNPUBLISHED. RELEASED FOR PUBLICATION 20
 © COPYRIGHT 20 BY - ALL RIGHTS RESERVED.

LOC		DIST		REVISIONS			
P	LTR	DESCRIPTION	DATE	DWN	APVD		
	A3	REVISED PER ECO-12-014757	14AUG2012	KH	MB		



RECOMMENDED PANEL CUTOUT
 3.2mm MAXIMUM PANEL THICKNESS



SHIELDED	2008615-2
UNSHIELDED	2008615-1
DESCRIPTION	PART NUMBER

- CONNECTOR MAY BE FRONT OR REAR PANEL MOUNTED. VIEWS SHOW PANEL NUT AND GASKET LOCATION FOR THE REAR PANEL MOUNTED VERSION.
- COUPLER LINES CROSSOVER BETWEEN POSTS.
- PANEL NUT AND PANEL GASKET ARE PACKAGED ASSEMBLED IN POLYBAG.

THIS DRAWING IS A CONTROLLED DOCUMENT.

DIMENSIONS:	TOLERANCES UNLESS OTHERWISE SPECIFIED:	DWN	01APR2008	TE Connectivity
mm	0 PLC ±1.0	CHK	01APR2008	
	1 PLC ±0.2	APVD	01APR2008	
	2 PLC ±0.10	PRODUCT SPEC		
	3 PLC ±0.000	APPLICATION SPEC		NAME
	4 PLC ±0.000	WEIGHT		RECEPTACLE KIT, 8 POSITION INDUSTRIAL ETHERNET CONNECTOR
MATERIAL	FINISH	CUSTOMER DRAWING		SIZE
				A200779
				CAGE CODE
				G-2008615
				DRAWING NO
				RESTRICTED TO
				SCALE
				3:1
				SHEET
				OF
				1
				REV
				A3