



Chipsmall Limited consists of a professional team with an average of over 10 year of expertise in the distribution of electronic components. Based in Hongkong, we have already established firm and mutual-benefit business relationships with customers from,Europe,America and south Asia,supplying obsolete and hard-to-find components to meet their specific needs.

With the principle of “Quality Parts,Customers Priority,Honest Operation,and Considerate Service”,our business mainly focus on the distribution of electronic components. Line cards we deal with include Microchip,ALPS,ROHM,Xilinx,Pulse,ON,Everlight and Freescale. Main products comprise IC,Modules,Potentiometer,IC Socket,Relay,Connector.Our parts cover such applications as commercial,industrial, and automotives areas.

We are looking forward to setting up business relationship with you and hope to provide you with the best service and solution. Let us make a better world for our industry!



Contact us

Tel: +86-755-8981 8866 Fax: +86-755-8427 6832

Email & Skype: info@chipsmall.com Web: www.chipsmall.com

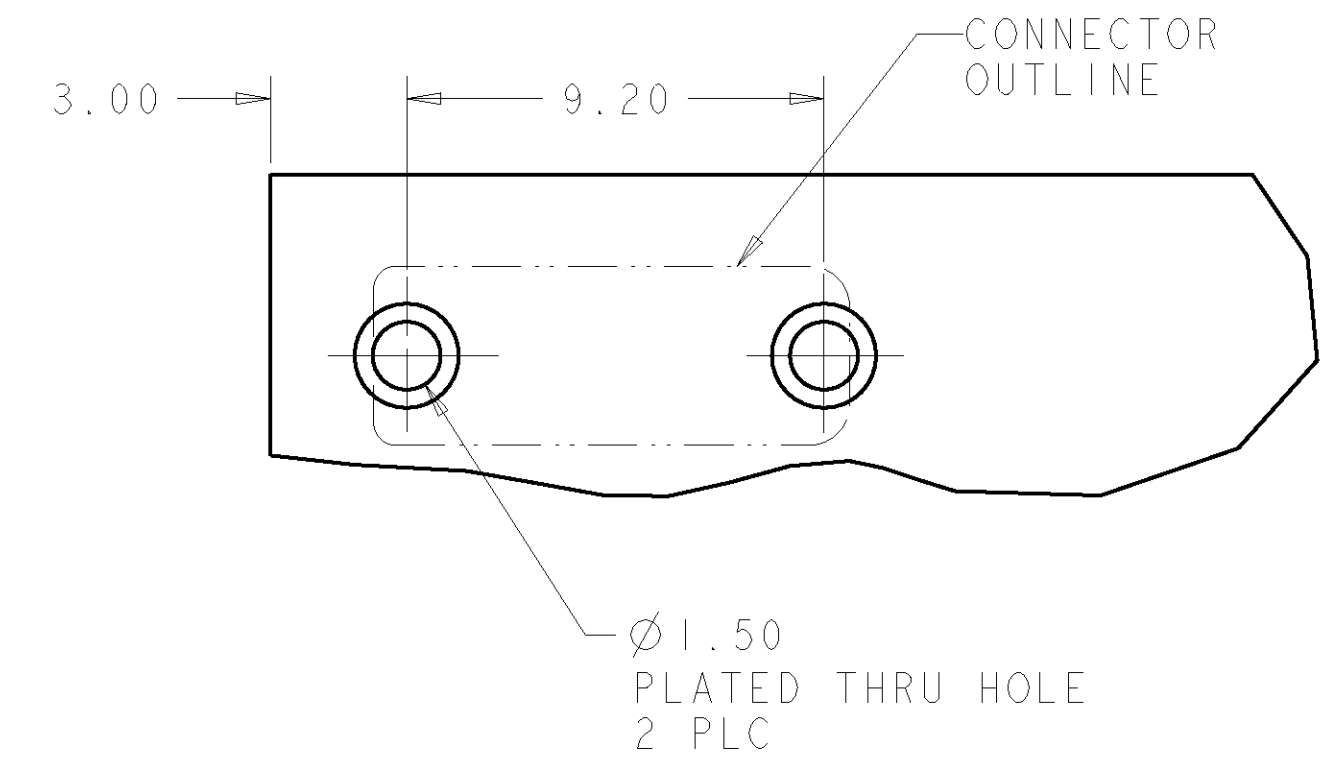
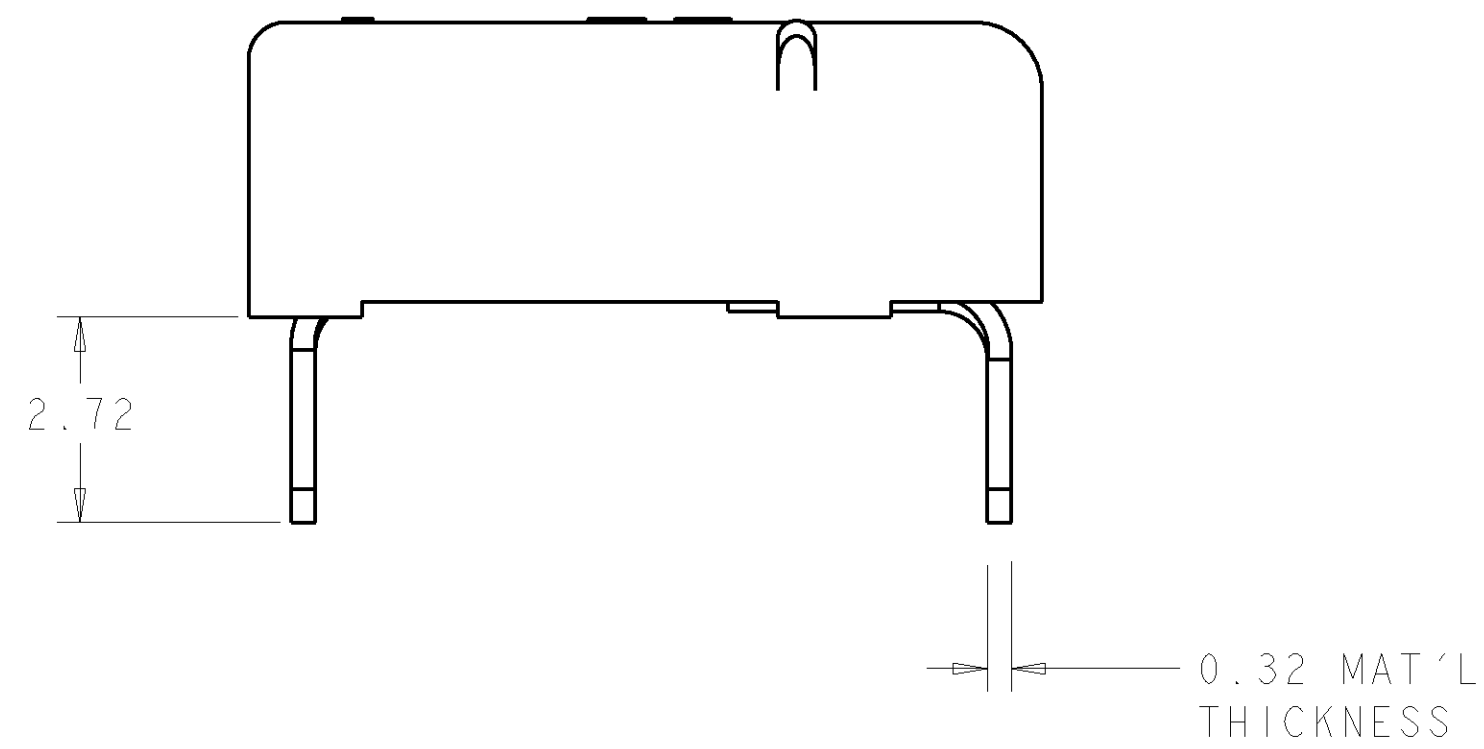
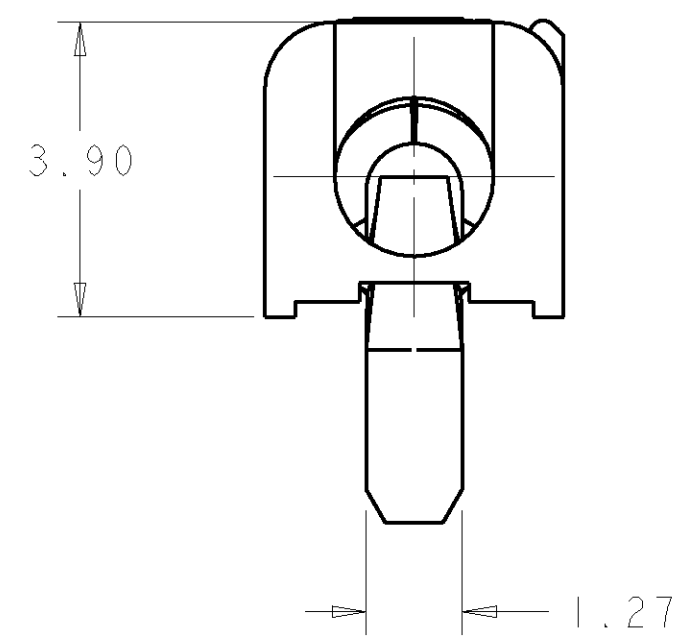
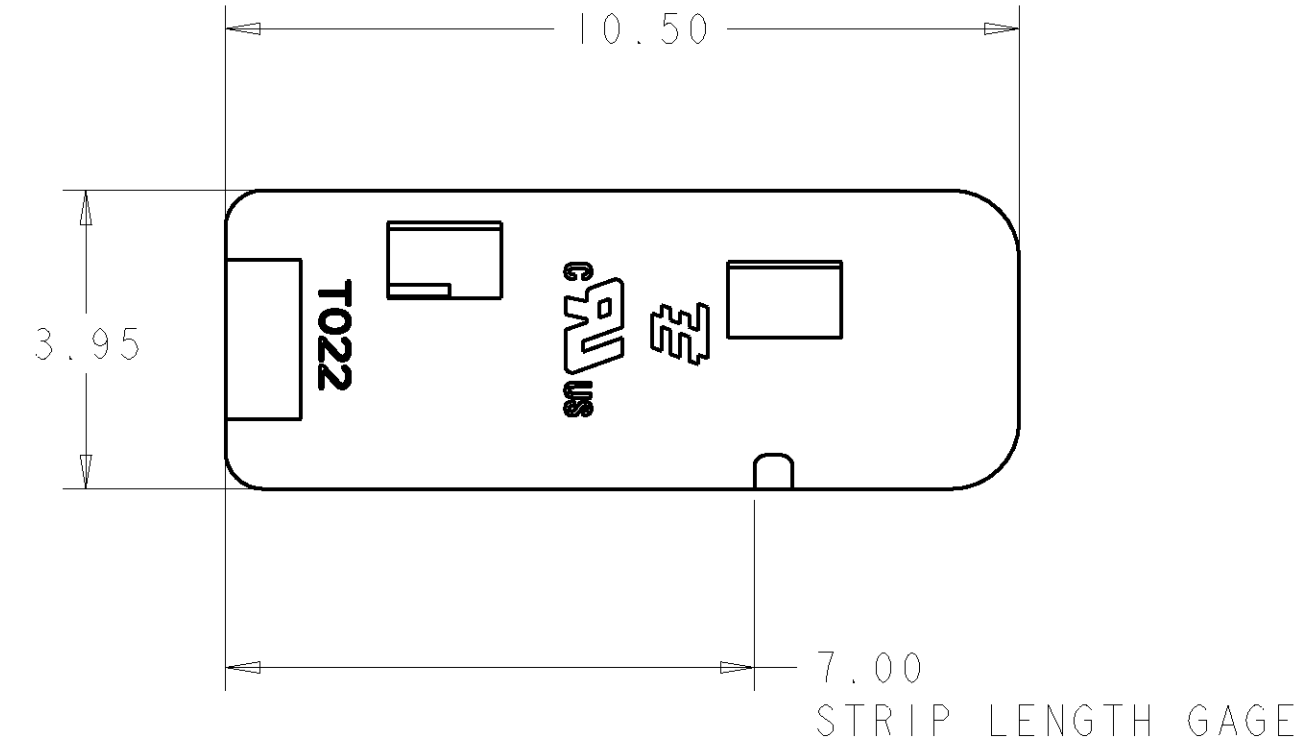
Address: A1208, Overseas Decoration Building, #122 Zhenhua RD., Futian, Shenzhen, China



THIS DRAWING IS UNPUBLISHED. RELEASED FOR PUBLICATION 20
 © COPYRIGHT 20 BY TYCO ELECTRONICS CORPORATION. ALL RIGHTS RESERVED.

LOC		DIST		REVISIONS			
P	LTR	DESCRIPTION	DATE	DWN	APVD		
	2	REVISED CONTACT LEAD-IN GEOMETRY	25FEB2008	RB	JD		
	3	REMOVED 7 AND 9 STRAND COUNT	14MAY2008	JD	JD		

- ⚠ MATERIALS AND FINISH:
 - HOUSING: LCP
 - CONTACTS: COPPER ALLOY, FINISH: TIN
- MUST COMPLY WITH DIRECTIVE 2002/95/EC (ROHS)
 - THIS PRODUCT HAS NOT COMPLETED VALIDATION TESTING
 - WIRE TYPES AND SIZES ACCEPTED
 18, 20 AND 22 AWG SOLID WIRE
 18 AND 20 AWG PREBOND STRANDED WIRE
 18 AWG STRANDED WIRE (16 STRAND COUNT)
 MAX INSULATION OD: 2.10 MM (.083")
 STRIP LENGTH: 7.0±1.0 (.276")
 - PACKAGED IN TAPE AND REEL PER EIA-481 SPECIFICATIONS



RECOMMENDED PCB LAYOUT
 SCALE 6:1

PROPOSED DESIGN
 NOT PRODUCTION TOOLED
 DESIGN IS SUBJECT TO
 CHANGE WITHOUT NOTICE

THIS DRAWING IS A CONTROLLED DOCUMENT FOR TYCO ELECTRONICS CORPORATION IT IS SUBJECT TO CHANGE AND THE CONTROLLING ENGINEERING ORGANIZATION SHOULD BE CONTACTED FOR THE LATEST REVISION		DWN GURURAJ S	17OCT2007	Tyco Electronics Harrisburg, PA 17105-3608	
DIMENSIONS: mm		CHK -	APVD -	NAME POKE-IN LED CONNECTOR ASSEMBLY 1 POSITION - THRU HOLE	
TOLERANCES UNLESS OTHERWISE SPECIFIED: 0 PLC ± 1 PLC ±0.5 2 PLC ±0.10 3 PLC ± 4 PLC ± ANGLES ±3° FINISH		PRODUCT SPEC -	APPLICATION SPEC -	SIZE A200779	DRAWING NO C-2008839
MATERIAL -		WEIGHT -	CUSTOMER DRAWING	RESTRICTED TO -	SCALE 10:1 SHEET 1 OF 1 REV 3

2008839-1
 PART NUMBER