



Chipsmall Limited consists of a professional team with an average of over 10 year of expertise in the distribution of electronic components. Based in Hongkong, we have already established firm and mutual-benefit business relationships with customers from,Europe,America and south Asia,supplying obsolete and hard-to-find components to meet their specific needs.

With the principle of “Quality Parts,Customers Priority,Honest Operation,and Considerate Service”,our business mainly focus on the distribution of electronic components. Line cards we deal with include Microchip,ALPS,ROHM,Xilinx,Pulse,ON,Everlight and Freescale. Main products comprise IC,Modules,Potentiometer,IC Socket,Relay,Connector.Our parts cover such applications as commercial,industrial, and automotives areas.

We are looking forward to setting up business relationship with you and hope to provide you with the best service and solution. Let us make a better world for our industry!



Contact us

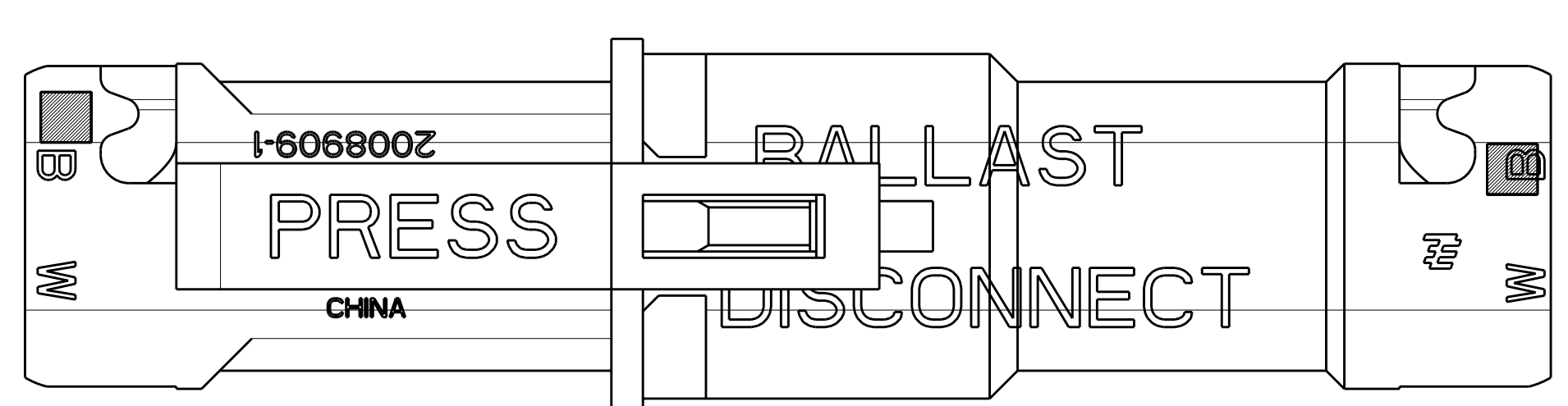
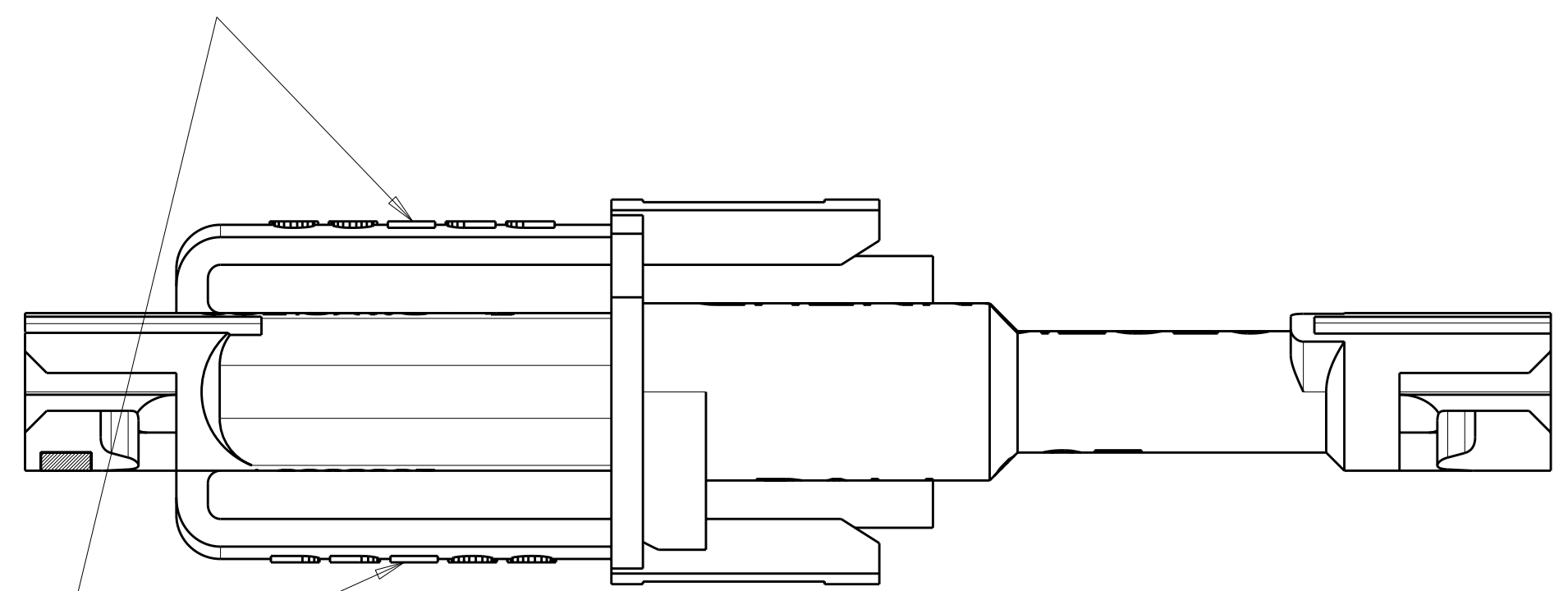
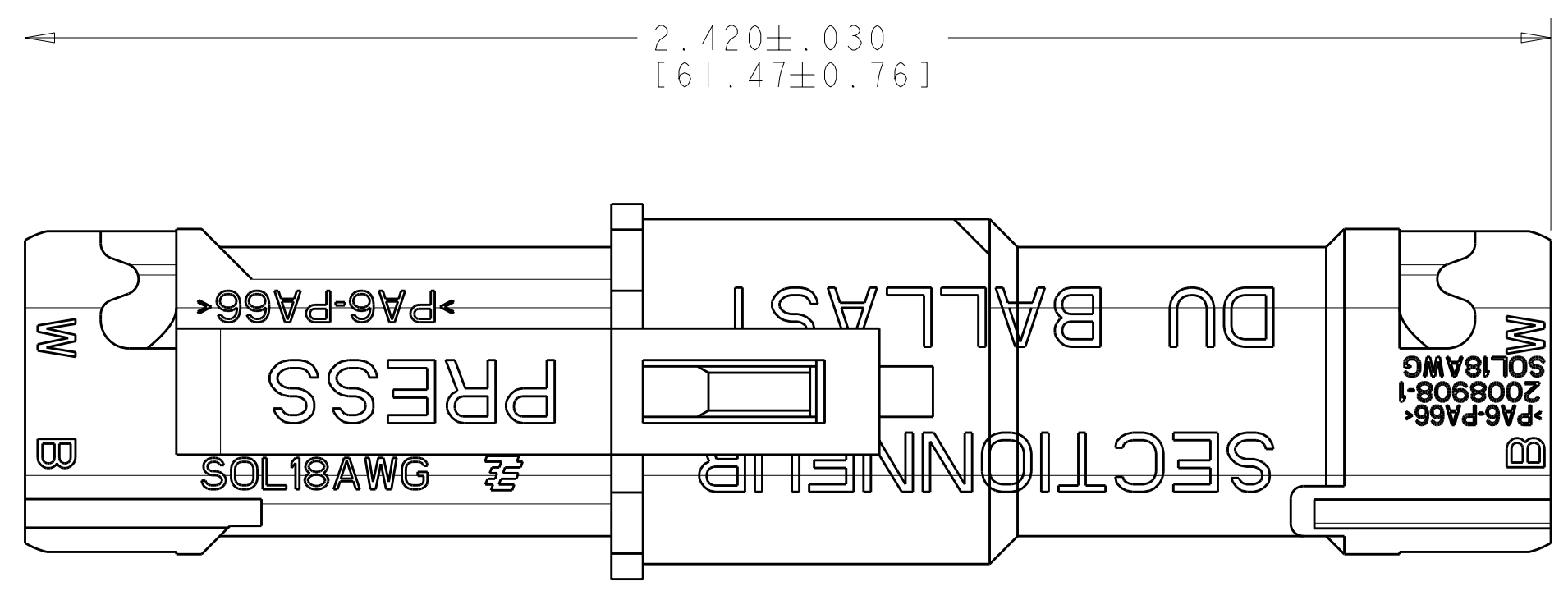
Tel: +86-755-8981 8866 Fax: +86-755-8427 6832

Email & Skype: info@chipsmall.com Web: www.chipsmall.com

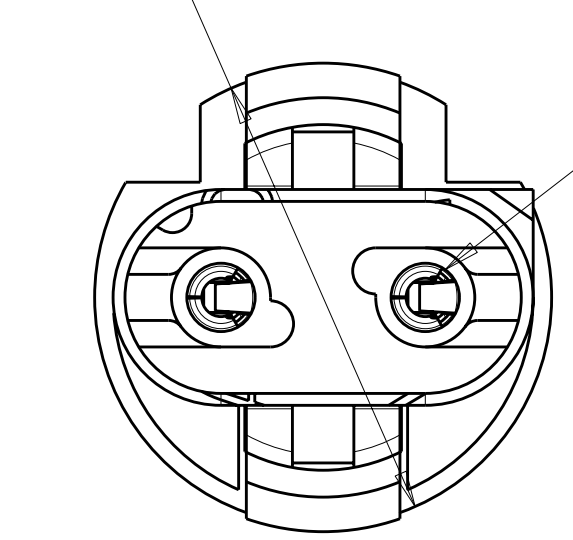
Address: A1208, Overseas Decoration Building, #122 Zhenhua RD., Futian, Shenzhen, China



LOC	DIST	REVISIONS			
REV	DATE	DESCRIPTION	DATE	DWN	APVD
AF	50	A	REVISED PER ECR-09-020882	05OCT2009	HMR DD

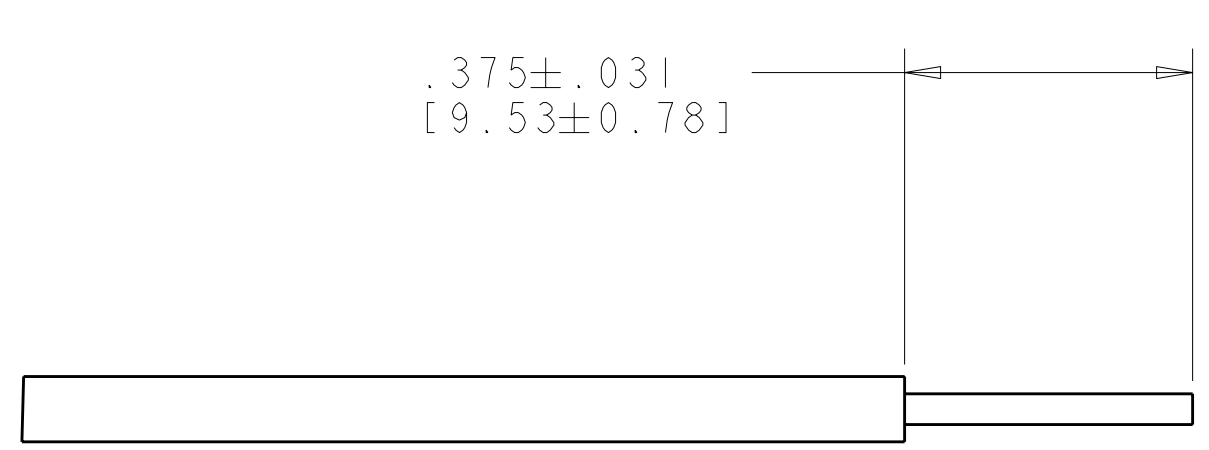


Ø .595 ± .010
[15.11 ± 0.25]

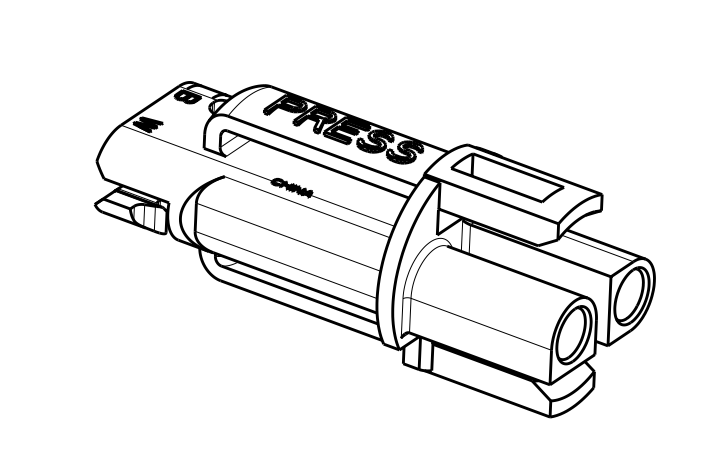


ACCEPTS 18 AWG SOLID WIRE
WITH .086 [2.18] MAX INSULATION DIAMETER
BOTH CONNECTORS

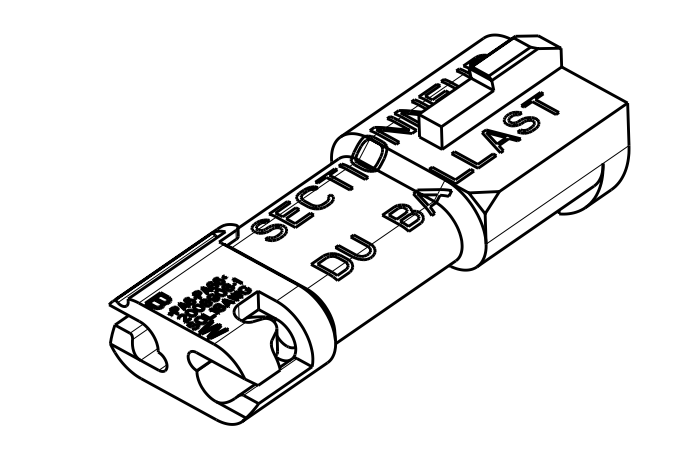
- △ MATERIAL:
HOUSINGS: POLYAMIDE, COLOR: ORANGE
CONTACTS: PHOSPHOR BRONZE
INK: BLACK
- △ FINISH:
CONTACTS: TIN PLATED
- 3. SEE INSTRUCTION SHEET 408-10153
- △ THIS PRODUCT HAS NOT COMPLETED
VALIDATION TESTING.



RECOMMENDED WIRE STRIP LENGTH



PLUG CONNECTOR ASSEMBLY



RECEPTACLE CONNECTOR ASSEMBLY

2008910-1
PART NUMBER

<small>THIS DRAWING IS UNPUBLISHED. RELEASED FOR PUBLICATION BY TYCO ELECTRONICS CORPORATION. ALL RIGHTS RESERVED.</small> <small>THIS IS SUBJECT TO CHANGE WITHOUT NOTICE AND WITHOUT OBLIGATION. SHOULD BE CONTACTED FOR THE LATEST REVISION.</small>		DWN S. GURURAJ 17JAN2008 CHK M. MCCARTHY 17JAN2008 APVD -	Tyco Electronics Harrisburg, PA 17105-3608
DIMENSIONS: IN [mm]	TOLERANCES UNLESS OTHERWISE SPECIFIED: 9 PLC ± 1 PLC ± 2 PLC ± 3 PLC ± 4 PLC ± ANGLES ± FINISH ±	PRODUCT SPEC 108-2275 APPLICATION SPEC 114-13204 WEIGHT - CUSTOMER DRAWING	NAME ASSEMBLY, MATED PAIR, 2 POSITION PLUG AND RECEPTACLE PT, LIGHT-N-LOK SIZE CAGE CODE DRAWING NO. RESTRICTED TO A100779C=2008910 SCALE 2:1 SHEET 1 OF 1 REV A