



Chipsmall Limited consists of a professional team with an average of over 10 year of expertise in the distribution of electronic components. Based in Hongkong, we have already established firm and mutual-benefit business relationships with customers from,Europe,America and south Asia,supplying obsolete and hard-to-find components to meet their specific needs.

With the principle of “Quality Parts,Customers Priority,Honest Operation,and Considerate Service”,our business mainly focus on the distribution of electronic components. Line cards we deal with include Microchip,ALPS,ROHM,Xilinx,Pulse,ON,Everlight and Freescale. Main products comprise IC,Modules,Potentiometer,IC Socket,Relay,Connector.Our parts cover such applications as commercial,industrial, and automotives areas.

We are looking forward to setting up business relationship with you and hope to provide you with the best service and solution. Let us make a better world for our industry!



Contact us

Tel: +86-755-8981 8866 Fax: +86-755-8427 6832

Email & Skype: info@chipsmall.com Web: www.chipsmall.com

Address: A1208, Overseas Decoration Building, #122 Zhenhua RD., Futian, Shenzhen, China

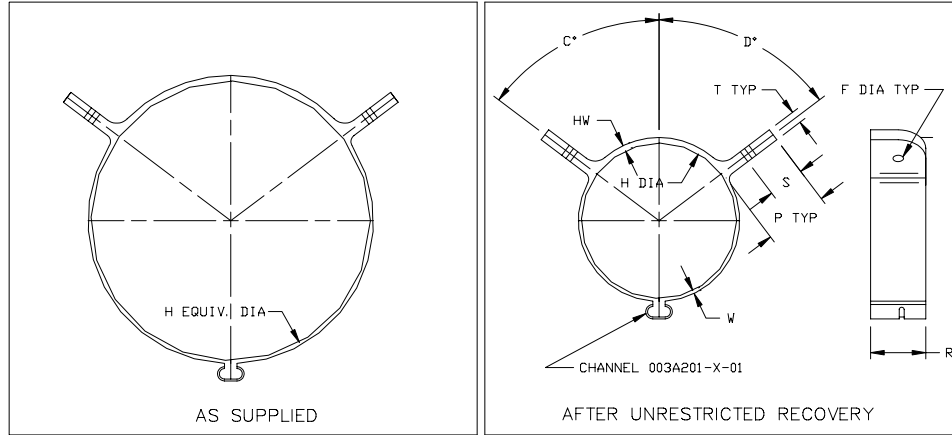


Thermofit[®] Molded Parts Specification Control Drawing

Part Number : 200C814
Description : Strap, Mounting
Heat Detection Sensor

NOTES

- All dimensions are in $\frac{\text{inches}}{[\text{millimeters}]}$
- Dimensions appearing in table are as follows:
 - a - As Supplied
 - b - After Unrestricted Recovery



| PART NUMBER | H | | P | R | S | T | HW | W | C & D | F |
|-------------|----------------|----------------|----------------|----------------|---------------|--------------|--------------|--------------|-------|--------------|
| | Min | Max | ±10% | ±10% | ±10% | ±10% | ±20% | ±20% | Ref | ±10% |
| | a | b | b | b | b | b | b | b | b | b |
| 200C814 | 3.60 [91,4] | 2.50 [63,5] | 1.00 [25,4] | 1.00 [25,4] | .50 [12,7] | .20 [5,1] | .09 [2,3] | .05 [1,3] | 53° | .17 [4,3] |

Raychem

RAYCHEM CORPORATION
300 CONSTITUTION DRIVE
MENLO PARK, CALIFORNIA 94025

Revision : D
Date : 4/9/97

Part Number : 200C814
Description : Strap, Mounting
Heat Detection Sensor

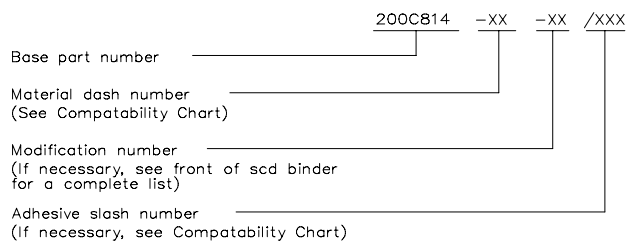
Thermofit[®] Molded Parts Specification Control Drawing

Part Number : 200C814
Description : Strap, Mounting
Heat Detection Sensor

| COMPATABILITY CHART | | | | | |
|---------------------|------------------------|---------|-------------------|---------------|---------------------|
| MATERIAL DASH NO. | MATERIAL DESCRIPTION | RT SPEC | COATING SLASH NO. | COATING S NO. | COATING DESCRIPTION |
| -3 | Polyolefin, Semi-rigid | RT-301 | N/A | | |
| -12 | *VITON, Flexible | RT-1312 | N/A | | |
| | | | | | |
| | | | | | |
| | | | | | |

*VITON is a Registered Trademark of Dupont

ORDERING INFORMATION



THIS DRAWING IS SUBJECT TO CHANGE WITHOUT NOTICE; CONSULT YOUR
NEAREST FIELD REPRESENTATIVE FOR CURRENT REVISION

If this document is printed it becomes uncontrolled.
Check with the web for latest revision.

Raychem

RAYCHEM CORPORATION
300 CONSTITUTION DRIVE
MENLO PARK, CALIFORNIA 94025

Revision : D
Date : 4/9/97

Part Number : 200C814
Description : Strap, Mounting
Heat Detection Sensor

CAD FILE MP97075