



Chipsmall Limited consists of a professional team with an average of over 10 year of expertise in the distribution of electronic components. Based in Hongkong, we have already established firm and mutual-benefit business relationships with customers from,Europe,America and south Asia,supplying obsolete and hard-to-find components to meet their specific needs.

With the principle of "Quality Parts,Customers Priority,Honest Operation,and Considerate Service",our business mainly focus on the distribution of electronic components. Line cards we deal with include Microchip,ALPS,ROHM,Xilinx,Pulse,ON,Everlight and Freescale. Main products comprise IC,Modules,Potentiometer,IC Socket,Relay,Connector.Our parts cover such applications as commercial,industrial, and automotives areas.

We are looking forward to setting up business relationship with you and hope to provide you with the best service and solution. Let us make a better world for our industry!



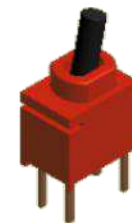
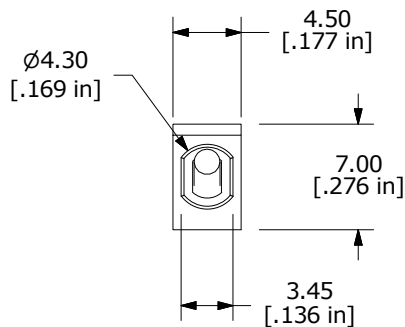
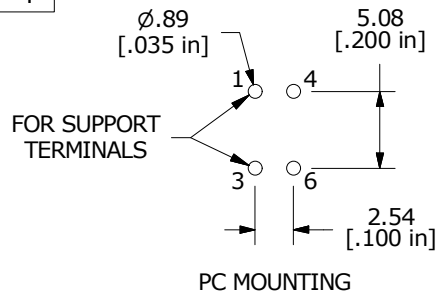
## Contact us

Tel: +86-755-8981 8866 Fax: +86-755-8427 6832

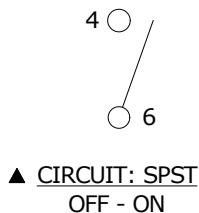
Email & Skype: info@chipsmall.com Web: www.chipsmall.com

Address: A1208, Overseas Decoration Building, #122 Zhenhua RD., Futian, Shenzhen, China

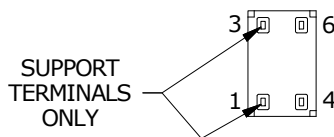
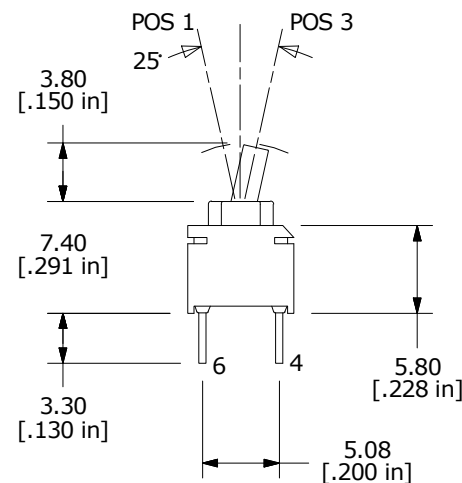
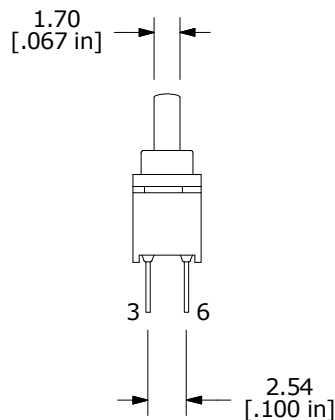




SWITCH FUNCTION		
POS. 1	POS. 2	POS. 3
ON	NONE	OFF
4-6	N/A	OPEN



- NOTE:
1. ALL DIMENSIONS IN MM [INCH]
  2. GENERAL TOLERANCE: X.X = ±0.4  
X.XX = ±0.25
  3. TERMINAL NUMBERS FOR REF ONLY
  - ▲ 4. STATIONARY CONTACTS: COPPER ALLOY W/ GOLD PLATING
  - ▲ 5. MOVING CONTACT: COPPER ALLOY W/ GOLD PLATING
  6. RATING: 0.4 VA max. @ 20V AC OR DC max.
  7. CONTACT RESISTANCE: <100 MILLI-OHM
  8. MECHANICAL LIFE: 40,000 MAKE-AND-BREAK CYCLES.
  9. INSULATION RESISTANCE: 500 MEGA-OHM min.
  10. DIELECTRIC STRENGTH: 500 V RMS @SEA LEVEL.
  11. OPERATING TEMP.: -30°C to 85°C
  12. ▲ DENOTES CRITICAL PARAMETER.
  13. SEAL RATING: IP67
  14. 2011/65/EU (ROHS) COMPLIANT



H	22815	correct Switch Function detail	4/20/17	MW
G	22807	correct Switch Function detail	4/13/17	MW
F	22739	correct PC Mounting detail	2/24/17	MW
E	21332	REMOVE PACKAGING NOTE	12/17/13	EBP
D	19874	CORRECT TITLE OF SWITCH FUNCTION	04/25/11	BMA
C	19633	CORRECT SWITCH FUNCTION	01/31/11	BMA
B	19606	UPDATE PLATING NOTE	01/20/11	BMA
REV	PCR NO	DESCRIPTION	DATE	BY

THE INFORMATION CONTAINED IN THIS DOCUMENT IS PROPRIETARY TO E-SWITCH AND IS NOT TO BE COPIED OR TRANSFERRED



TITLE 200USP9T1A1M2RE

SCALE	DATE	DR	DWG	REV
2:1	12/2/2010	BMA	T250008	H