



Chipsmall Limited consists of a professional team with an average of over 10 year of expertise in the distribution of electronic components. Based in Hongkong, we have already established firm and mutual-benefit business relationships with customers from,Europe,America and south Asia,supplying obsolete and hard-to-find components to meet their specific needs.

With the principle of “Quality Parts,Customers Priority,Honest Operation,and Considerate Service”,our business mainly focus on the distribution of electronic components. Line cards we deal with include Microchip,ALPS,ROHM,Xilinx,Pulse,ON,Everlight and Freescale. Main products comprise IC,Modules,Potentiometer,IC Socket,Relay,Connector.Our parts cover such applications as commercial,industrial, and automotives areas.

We are looking forward to setting up business relationship with you and hope to provide you with the best service and solution. Let us make a better world for our industry!



Contact us

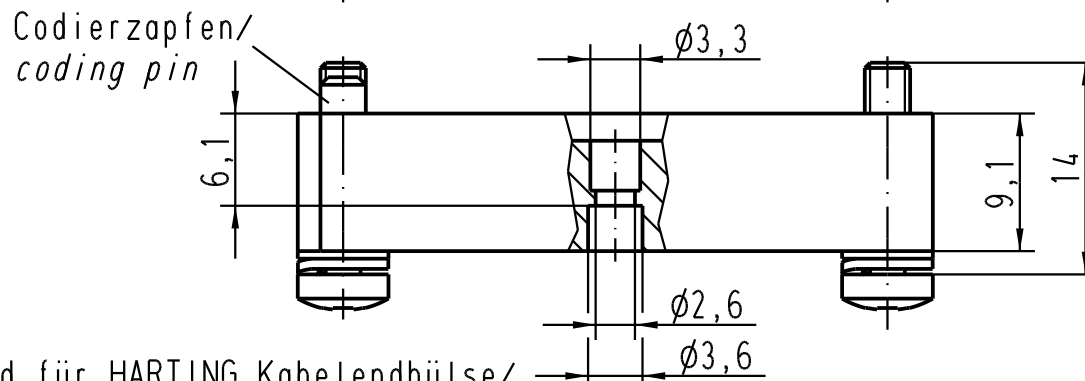
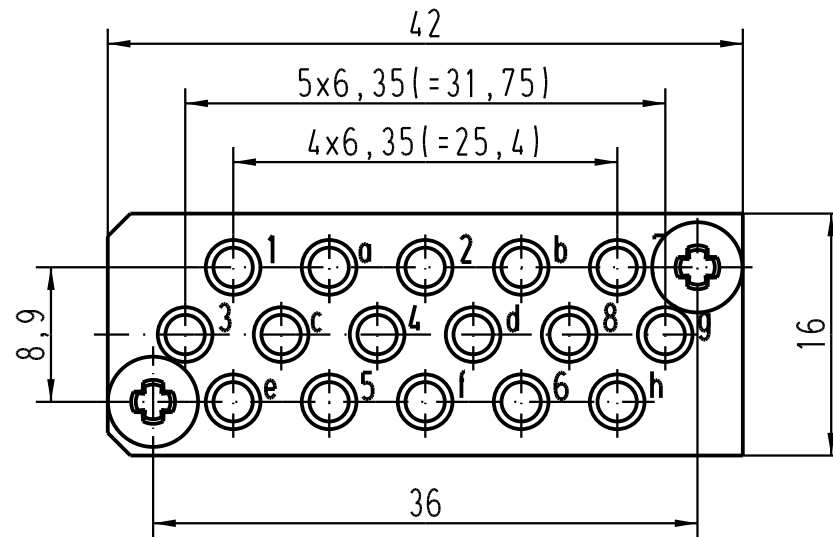
Tel: +86-755-8981 8866 Fax: +86-755-8427 6832

Email & Skype: info@chipsmall.com Web: www.chipsmall.com

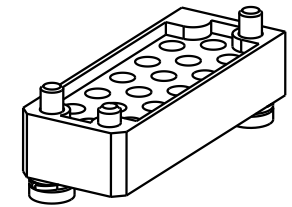
Address: A1208, Overseas Decoration Building, #122 Zhenhua RD., Futian, Shenzhen, China





1 2 3 4 5 6



Passend für HARTING Kabelendhülse/
Cavity designed for HARTING POF ferrule



2x M3 Schrauben mit Unterlegscheiben
verliersicher montiert/
2x M3 screws, washers assembled surely

 All Dimensions in mm Original Size DIN A 4	Techn. Character.			PC 30% gv		Nicht tolerierte Masse/ Free size tolerances	
				Dat.	Name	Massstab/Scale	Steckerhalter/Connector holder 16x Kabelendhülse/ 16x POF ferrule 1mm
			Detail.	05.08.91		2:1	
411382	10.06.05	Ste	Insp.		WIT		
	17.08.94	WIT	Stand.				
	15.04.93	WIT	HARTING Electric GmbH & Co. KG				Blatt/ page
	03.02.92	WIT	D-32339 Espelkamp				
Mod.	Dat.	Name					