



Chipsmall Limited consists of a professional team with an average of over 10 year of expertise in the distribution of electronic components. Based in Hongkong, we have already established firm and mutual-benefit business relationships with customers from,Europe,America and south Asia,supplying obsolete and hard-to-find components to meet their specific needs.

With the principle of “Quality Parts,Customers Priority,Honest Operation,and Considerate Service”,our business mainly focus on the distribution of electronic components. Line cards we deal with include Microchip,ALPS,ROHM,Xilinx,Pulse,ON,Everlight and Freescale. Main products comprise IC,Modules,Potentiometer,IC Socket,Relay,Connector.Our parts cover such applications as commercial,industrial, and automotives areas.

We are looking forward to setting up business relationship with you and hope to provide you with the best service and solution. Let us make a better world for our industry!



Contact us

Tel: +86-755-8981 8866 Fax: +86-755-8427 6832

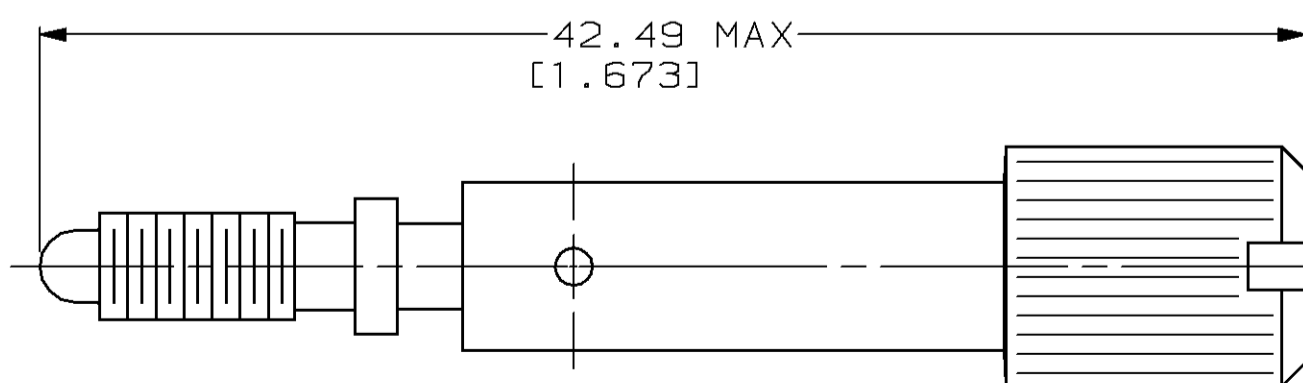
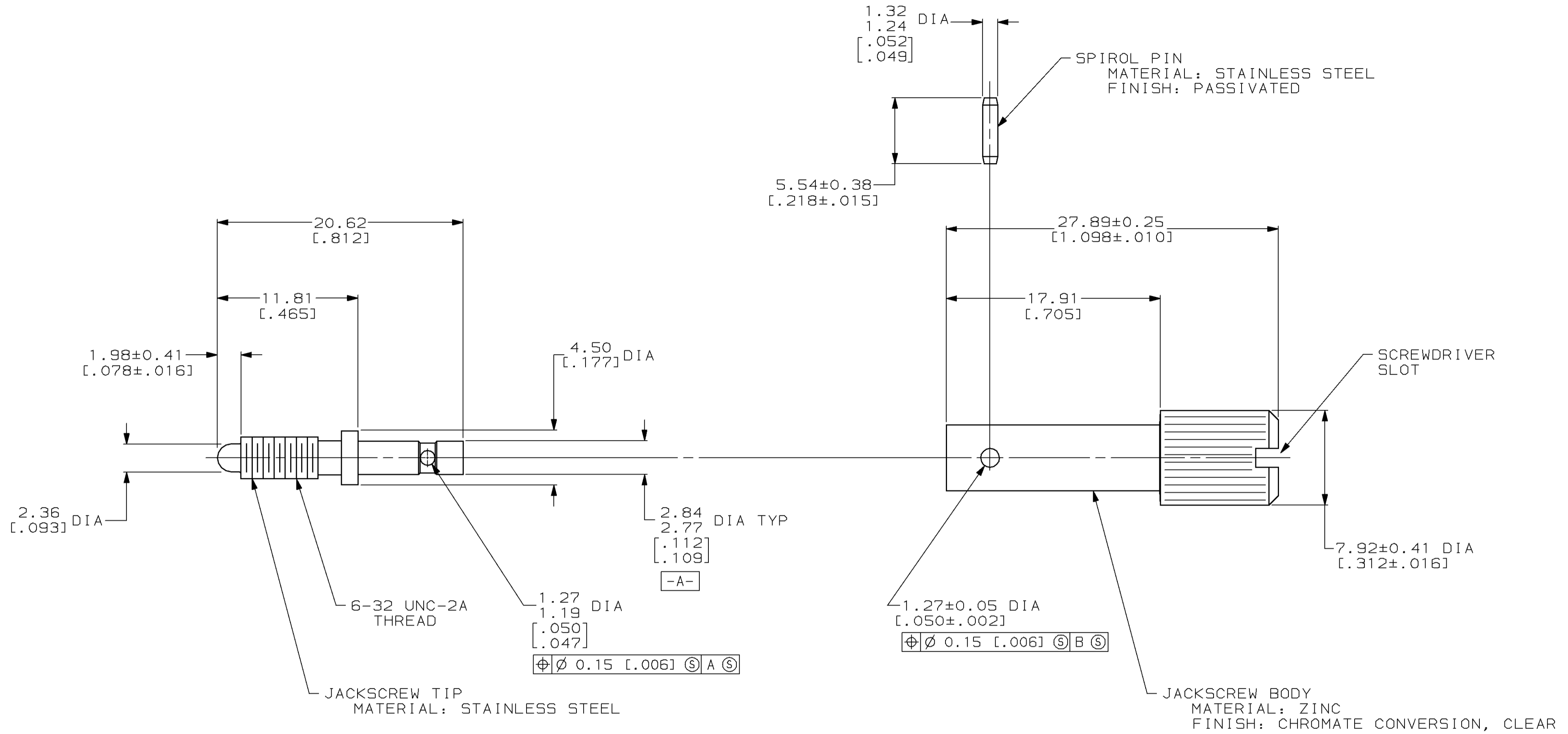
Email & Skype: info@chipsmall.com Web: www.chipsmall.com

Address: A1208, Overseas Decoration Building, #122 Zhenhua RD., Futian, Shenzhen, China



THIS DRAWING IS UNPUBLISHED. RELEASED FOR PUBLICATION
 BY AMP INCORPORATED. ALL RIGHTS RESERVED.

LOC		DIST		REVISIONS			
P	LTR	DESCRIPTION	DATE	DWN	APVD		
BD	36	H	REDRAWN PER EC 0020-1346-95	11 DEC 95	-	-	



ASSEMBLED VIEW

201087-1
PART NUMBER

THIS DRAWING IS A CONTROLLED DOCUMENT FOR AMP INCORPORATED. IT IS SUBJECT TO CHANGE AND THE CONTROLLING ENGINEERING ORGANIZATION SHOULD BE CONTACTED FOR THE LATEST REVISION.		DWN C. DORWART 11 DEC 95	AMP Incorporated Harrisburg, PA 17105-3608
		CHK R. STONE 29 FEB 96	
DIMENSIONS: mm [INCHES]		APVD G. STEINHAUER 07 MAR 96	NAME MALE JACKSCREW KIT, UNASSEMBLED, SHORT, M SERIES
TOLERANCES UNLESS OTHERWISE SPECIFIED:		PRODUCT SPEC	SIZE A2
0 PLC ±-		APPLICATION SPEC	CAGE CODE 00779
1 PLC ±-			DRAWING NO C-201087
2 PLC ±0.13 [.005]			SCALE 4:1
3 PLC ±-			SHEET 1 OF 1
4 PLC ±-			REV H
ANGLES ±-			
FINISH -			
MATERIAL -			
		CUSTOMER DRAWING	

201087