



Chipsmall Limited consists of a professional team with an average of over 10 year of expertise in the distribution of electronic components. Based in Hongkong, we have already established firm and mutual-benefit business relationships with customers from,Europe,America and south Asia,supplying obsolete and hard-to-find components to meet their specific needs.

With the principle of "Quality Parts,Customers Priority,Honest Operation,and Considerate Service",our business mainly focus on the distribution of electronic components. Line cards we deal with include Microchip,ALPS,ROHM,Xilinx,Pulse,ON,Everlight and Freescale. Main products comprise IC,Modules,Potentiometer,IC Socket,Relay,Connector.Our parts cover such applications as commercial,industrial, and automotives areas.

We are looking forward to setting up business relationship with you and hope to provide you with the best service and solution. Let us make a better world for our industry!



Contact us

Tel: +86-755-8981 8866 Fax: +86-755-8427 6832

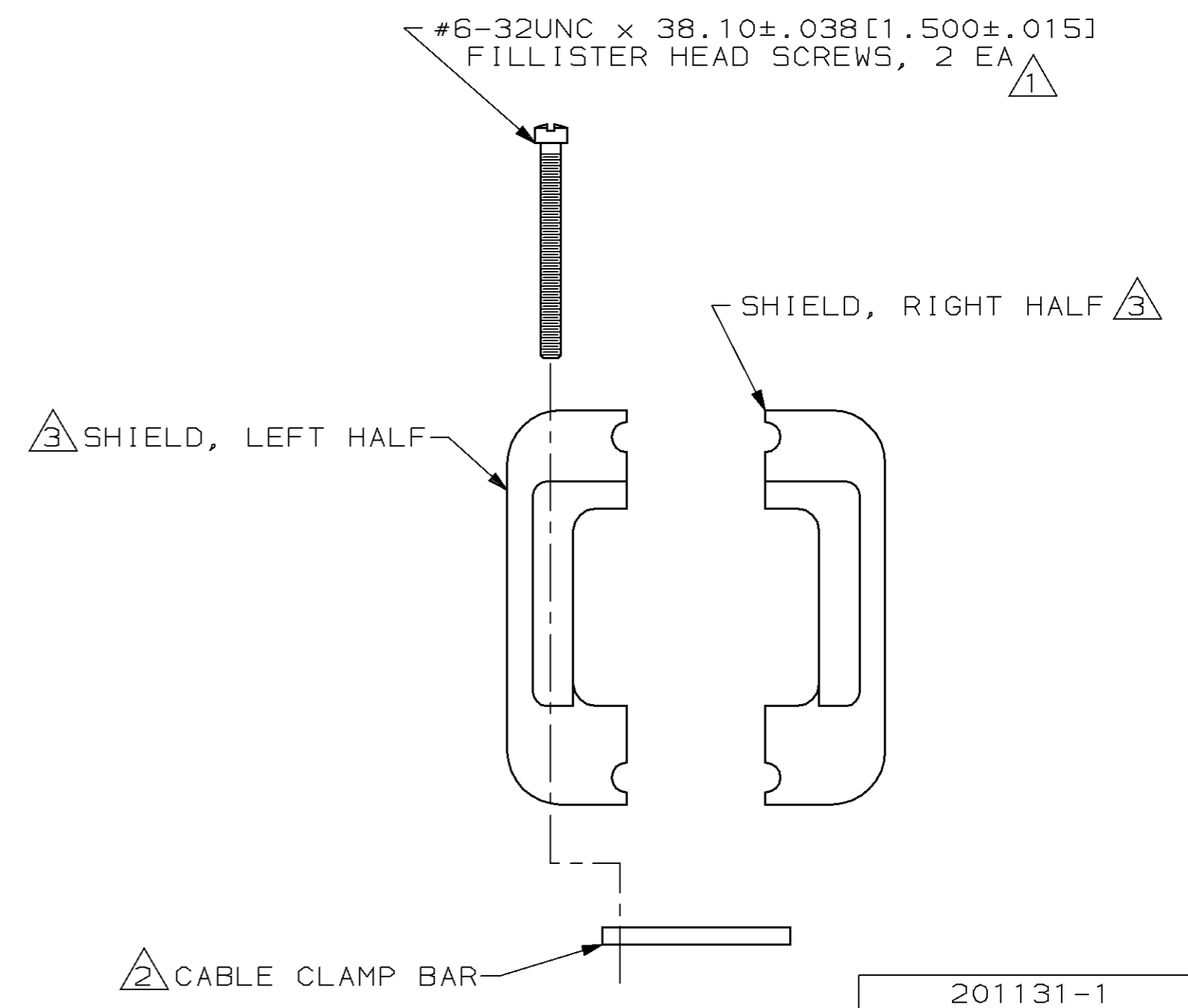
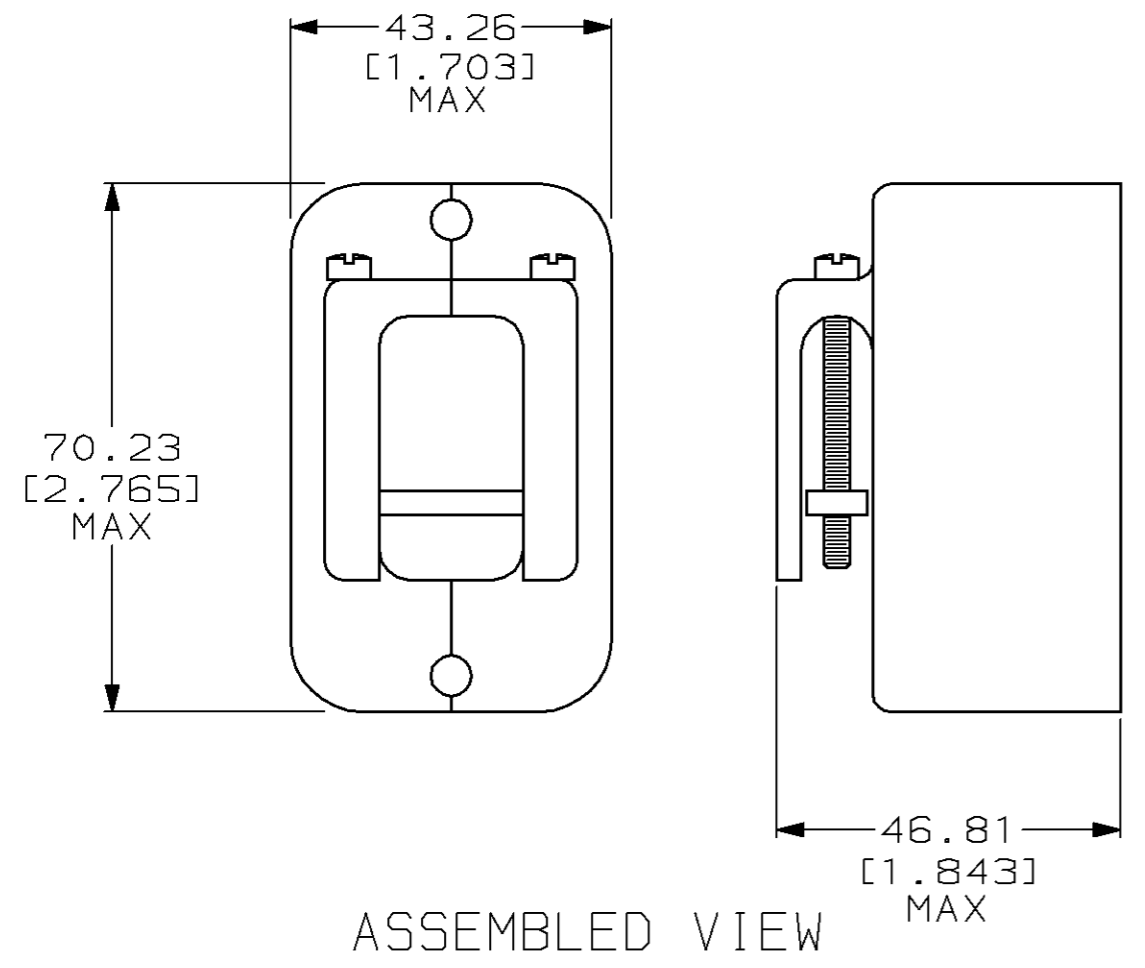
Email & Skype: info@chipsmall.com Web: www.chipsmall.com

Address: A1208, Overseas Decoration Building, #122 Zhenhua RD., Futian, Shenzhen, China



THIS DRAWING IS UNPUBLISHED. RELEASED FOR PUBLICATION ,19 .
 © COPYRIGHT 19 BY AMP INCORPORATED. ALL RIGHTS RESERVED.

LOC	DIST	REVISIONS			
P	LTR	DESCRIPTION	DATE	DWN	APVD
BD	36	M	REDRAWN PER EC 0020-1178-94	25 JUL 95	CR AC



- 1 MATERIAL: CARBON STEEL.
FINISH: ZINC PLATED.
- 2 MATERIAL: ALUMINUM.
FINISH: ANODIZED.
- 3 MATERIAL: ALUMINUM.
FINISH: 5.08µm [.000200] MIN NICKEL.

201131-1
 PART NUMBER

THIS DRAWING IS A CONTROLLED DOCUMENT FOR AMP INCORPORATED. IT IS SUBJECT TO CHANGE AND THE CONTROLLING ENGINEERING ORGANIZATION SHOULD BE CONTACTED FOR THE LATEST REVISION.		DWN C. REIFSNYDER 25 JUL 95	AMP Incorporated Harrisburg, PA 17105-3608
DIMENSIONS: mm [INCHES]		CHK R. STONE 26 JUL 95	
TOLERANCES UNLESS OTHERWISE SPECIFIED:		APVD G. STEINHAUER 05 OCT 95	NAME SHIELD KIT, UNASSEMBLED, 104 PLACE, COMPLETE, M SERIES
0 PLC ±-	1 PLC ±-	PRODUCT SPEC	SIZE A3
2 PLC ±-	3 PLC ±-	APPLICATION SPEC	CAGE CODE 00779
4 PLC ±-	ANGLES ±-	WEIGHT .1102 LB	DRAWING NO C-201131
MATERIAL SEE CALLOUTS	FINISH SEE CALLOUTS	CUSTOMER DRAWING	SCALE 1:1
			SHEET 1 OF 1
			REV M