



Chipsmall Limited consists of a professional team with an average of over 10 year of expertise in the distribution of electronic components. Based in Hongkong, we have already established firm and mutual-benefit business relationships with customers from,Europe,America and south Asia,supplying obsolete and hard-to-find components to meet their specific needs.

With the principle of “Quality Parts,Customers Priority,Honest Operation,and Considerate Service”,our business mainly focus on the distribution of electronic components. Line cards we deal with include Microchip,ALPS,ROHM,Xilinx,Pulse,ON,Everlight and Freescale. Main products comprise IC,Modules,Potentiometer,IC Socket,Relay,Connector.Our parts cover such applications as commercial,industrial, and automotives areas.

We are looking forward to setting up business relationship with you and hope to provide you with the best service and solution. Let us make a better world for our industry!



Contact us

Tel: +86-755-8981 8866 Fax: +86-755-8427 6832

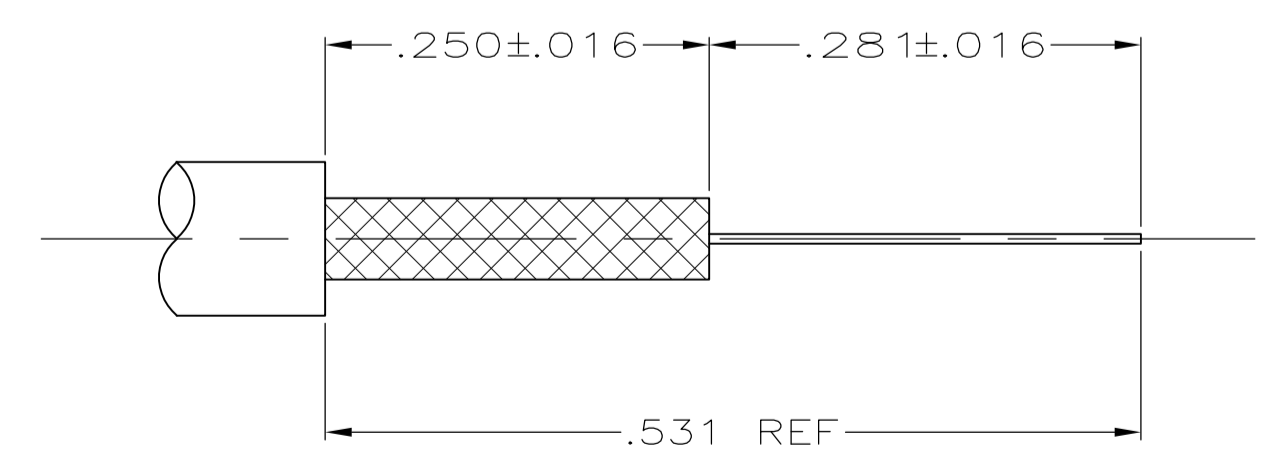
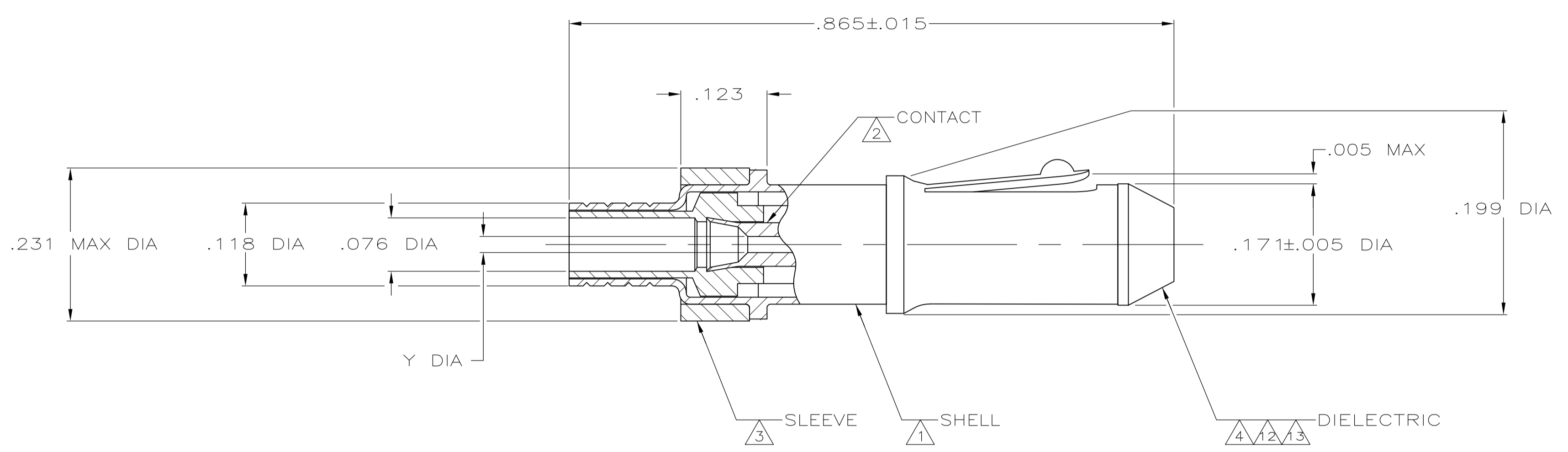
Email & Skype: info@chipsmall.com Web: www.chipsmall.com

Address: A1208, Overseas Decoration Building, #122 Zhenhua RD., Futian, Shenzhen, China



LOC	DIST	REVISIONS			
REV	DATE	DESCRIPTION	DATE	BY	APPV
AJ	16				
AZ1		REVISED PER ECO-11-005030	11MAR11	RK	HMR

- ① BRASS PER QQ-B-626.
- ② BERYLLIUM COPPER PER ASTM-B-196
- ③ NYLON PER ASTM-D-4066, BLACK
- ④ POLYMETHYLPENTENE GENERAL PURPOSE, NATURAL
- ⑤ .000030 MINIMUM GOLD PER MIL-G-45204.
- ⑥ .000050 MINIMUM GOLD PER MIL-G-45204.
- ⑦ .000100 MINIMUM GOLD PER MIL-G-45204.
- ⑧ RG-174/U, RG-179A/U, RG-187/U, AND 21-598.
- ⑨ SHIELDED CABLE #26=NAS-702 CLASS A & C, AND MIL-W-16878 TYPES E & EE, SHIELDED CABLE #24=NAS-702 CLASS A & C, AND MIL-W-16878 TYPES E & EE, SHIELDED CABLE #22=NAS-702 CLASS C, AND MIL-W-16878 TYPE E, AND MIL-C-7078A TYPE I NUMBER 1 DIELECTRIC .068 O.D.
- 10. SEE IS 408-1770
- ⑫ NYLON PER ASTM-D-4066, NATURAL
- ⑬ DIELECTRIC MATERIAL: VALOX 325 WHITE



VIEW D
RECOMMENDED STRIP LENGTH

⑬	⑤	⑤	.030 OUNCES	-	-	.032±.003	-	-	-	2-201143-5
⑬	⑤	⑤	.030 OUNCES	-	-	.032±.003	-	-	-	2-201143-4
	⑦	⑦	.030 OUNCES	-	-	.032±.003	-	-	-	201143-7
	⑤	⑤	.030 OUNCES	-	-	.032±.003	-	-	-	201143-5
	⑤	⑤	.030 OUNCES	-	-	.042±.003	-	-	-	201143-3
	⑤	⑤	.030 OUNCES	-	-	.023±.003	-	-	-	201143-1
CONTACT PLATING	SHELL PLATING	WEIGHT	CABLE OR WIRE SIZE	CRIMP TOOL	Y	③ FERRULE QTY=1	② SPRING RETENTION QTY=1	① PIN ASSY QTY=1	PART NUMBER	

THIS DRAWING IS A CONTROLLED DOCUMENT.

DIMENSIONS: INCHES	TOLERANCES UNLESS OTHERWISE SPECIFIED:	0. PLC ± -	1. PLC ± -	2. PLC ± .008	3. PLC ± -	4. PLC ± -	ANGLES ± -						
MATERIAL		FINISH		WEIGHT	SEE TABLE	SIZE	A1	CAGE CODE	00779	DRAWING NO	C=201143	RESTRICTED TO	-
CUSTOMER DRAWING				SCALE	8:1	SHEET	1 OF 1	REV	AZ1				

STE TE Connectivity
PIN, MINIATURE SERIES
108-12021