



Chipsmall Limited consists of a professional team with an average of over 10 year of expertise in the distribution of electronic components. Based in Hongkong, we have already established firm and mutual-benefit business relationships with customers from,Europe,America and south Asia,supplying obsolete and hard-to-find components to meet their specific needs.

With the principle of “Quality Parts,Customers Priority,Honest Operation,and Considerate Service”,our business mainly focus on the distribution of electronic components. Line cards we deal with include Microchip,ALPS,ROHM,Xilinx,Pulse,ON,Everlight and Freescale. Main products comprise IC,Modules,Potentiometer,IC Socket,Relay,Connector.Our parts cover such applications as commercial,industrial, and automotives areas.

We are looking forward to setting up business relationship with you and hope to provide you with the best service and solution. Let us make a better world for our industry!



Contact us

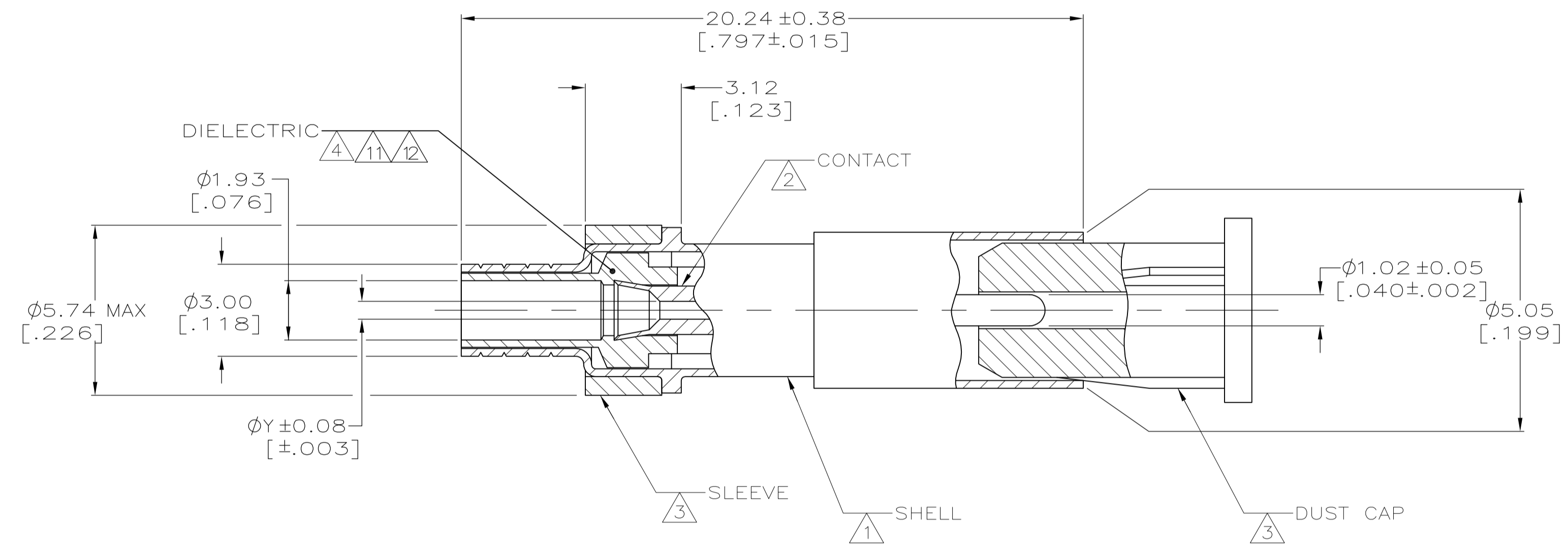
Tel: +86-755-8981 8866 Fax: +86-755-8427 6832

Email & Skype: info@chipsmall.com Web: www.chipsmall.com

Address: A1208, Overseas Decoration Building, #122 Zhenhua RD., Futian, Shenzhen, China



LOC		DIST		REVISIONS			
REV	DATE	DESCRIPTION	DATE	BY	CHK	APPV	
AV	11MAY05	REVISED PER EC OS14-0163-05		BM	JL		
AV1	09SEP09	REVISED PER ECO-09-020935		KK	AEG		



- 1 BRASS PER QQ-B-626.
- 2 BERYLLIUM COPPER PER ASTM-B-196
- 3 NYLON PER ASTM-D-4066, BLACK
- 4 POLYMETHYLPENTENE GENERAL PURPOSE, NATURAL
- 5 0.00076[.000030] MINIMUM GOLD PER MIL-G-45204.
- 6 0.00254[.000100] MINIMUM GOLD PER MIL-G-45204.
- 7 SHIELDED CABLE #26=NAS-702 CLASS A & C, AND MIL-W-16878 TYPES E & EE, SHIELDED CABLE #24=NAS-702 CLASS A & C, AND MIL-W-16878 TYPES E & EE, SHIELDED CABLE #22=NAS-702 CLASS C, AND MIL-W-16878 TYPE E, AND MIL-C-7078A TYPE I NUMBER 1 DIELECTRIC .068 O.D.
- 8 RG-174/U, RG-179A/U, RG-187/U, AND 21-598.
- 9 SHIELDED CABLE #26=NAS-702 CLASS A, AND MIL-C-7078A TYPE II.
- 10. SEE IS 408-1770
- 11 NYLON PER ASTM-D-4066, NATURAL
- 12 OBSOLETE PARTS: OBSOLETE CIS STREAMLINING PER D.RENAUD/D.SINISI

OBSOLETE	5	5	.034 OUNCES	-	-	0.81[.032]	-	-	-	1-201144-8
	-	-	1.65 GRAMS MAX	8	45368-2	-	328666	201142-2	201144-1	1-201144-1
OBSOLETE	6	6	.034 OUNCES	-	-	0.81[.032]	-	-	-	201144-7
OBSOLETE	6	6	.034 OUNCES	-	-	0.58[.023]	-	-	-	201144-6
	5	5	.034 OUNCES	-	-	0.81[.032]	-	-	-	201144-5
	5	5	.034 OUNCES	-	-	1.07[.042]	-	-	-	201144-3
	6	6	.034 OUNCES	-	-	0.58[.023]	-	-	-	201144-1
CONTACT PLATING	SHELL PLATING	WEIGHT	CABLE OR WIRE SIZE	CRIMP TOOL	Y	3 FERRULE QTY=1	2 SPRING RETENTION QTY=1	1 SOCKET ASSY QTY=1	PART NUMBER	

THIS DRAWING IS A CONTROLLED DOCUMENT.

DIMENSIONS: mm [INCHES]	TOLERANCES UNLESS OTHERWISE SPECIFIED:	DIN J. LIPPERT 18 DEC 89	Tyco Electronics Corporation Harrisburg, Pa 17105-3608
0 PLC ± -	1 PLC ± -	22 FEB 90	
2 PLC ± -	3 PLC ± 0.20(.008)	22 FEB 90	SOCKET, MINIATURE SERIES
4 PLC ± -	ANGLES ± -		108-12021
MATERIAL	FINISH	WEIGHT	SIZE: A1 00779 C=201144
CUSTOMER DRAWINGS		SCALE: 8:1	SHEET 1 OF 1 REV AV1