



Chipsmall Limited consists of a professional team with an average of over 10 year of expertise in the distribution of electronic components. Based in Hongkong, we have already established firm and mutual-benefit business relationships with customers from,Europe,America and south Asia,supplying obsolete and hard-to-find components to meet their specific needs.

With the principle of "Quality Parts,Customers Priority,Honest Operation,and Considerate Service",our business mainly focus on the distribution of electronic components. Line cards we deal with include Microchip,ALPS,ROHM,Xilinx,Pulse,ON,Everlight and Freescale. Main products comprise IC,Modules,Potentiometer,IC Socket,Relay,Connector.Our parts cover such applications as commercial,industrial, and automotives areas.

We are looking forward to setting up business relationship with you and hope to provide you with the best service and solution. Let us make a better world for our industry!



## Contact us

Tel: +86-755-8981 8866 Fax: +86-755-8427 6832

Email & Skype: info@chipsmall.com Web: www.chipsmall.com

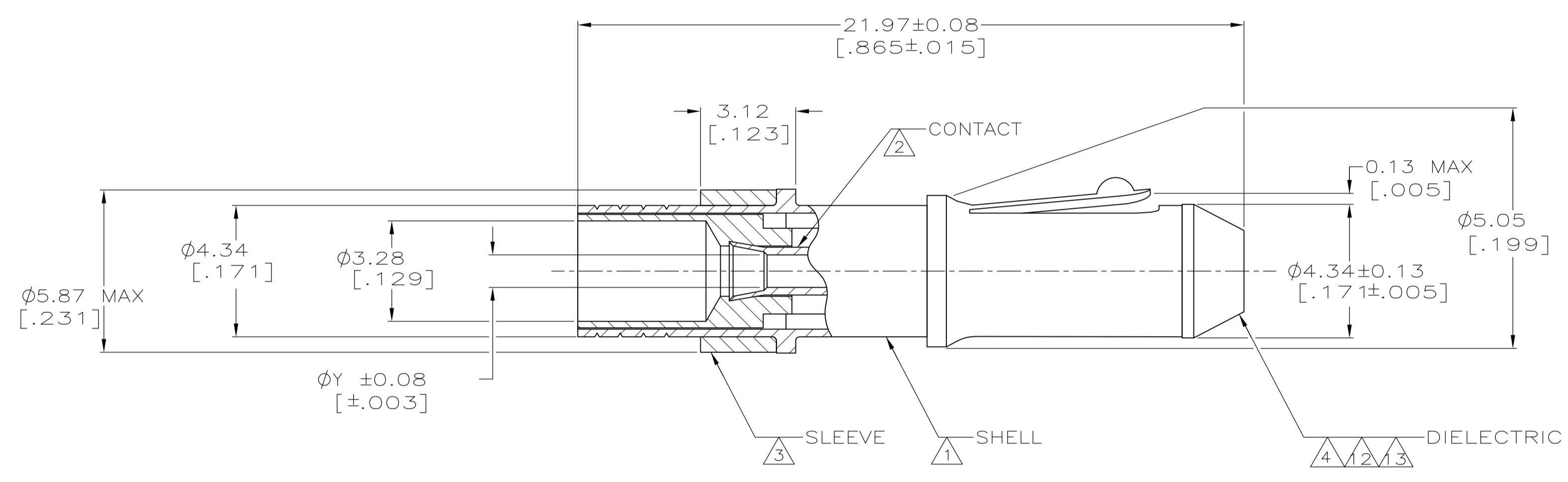
Address: A1208, Overseas Decoration Building, #122 Zhenhua RD., Futian, Shenzhen, China



THIS DRAWING IS UNPUBLISHED. RELEASED FOR PUBLICATION .19  
 © COPYRIGHT 19 BY AMP INCORPORATED. ALL RIGHTS RESERVED.

LOC	DIST	REVISIONS					
		P	LTR	DESCRIPTION	DATE	DWN	APVD
AJ	16	BH		REVISED PER EC 0S14-0288-02	18DEC02	DD	KW
		BH1		REVISED PER ECO-09-020935	09SEP09	KK	AEG

- 1 BRASS PER QQ-B-626.
- 2 BERYLLIUM COPPER PER ASTM-B-196
- 3 NYLON PER ASTM-D-4066, BLACK.
- 4 POLYMETHYLPENTENE GENERAL PURPOSE, NATURAL.
- 5 0.00076[.000030] MINIMUM GOLD PER MIL-G-45204.
- 6 0.00254[.000100] MINIMUM GOLD PER MIL-G-45204.
- 7 RG-180/U, RG-180A/U, RG-195/U, AND 21-597.
- 8 RG-58/U, RG-58A/U, RG-58B/U, AND RG-58C/U.
- 9 RG-55/U, RG-55A/U, RG-55B/U, RG-141/U, RG-142/U, AND RG-223/U.
- 10 BRAND REX T-209A.
- 11. SEE IS 1770.
- 12 NYLON PER ASTM-D-4066, NATURAL
- 13 DIELECTRIC MATERIAL: VALOX 325, WHITE
- 14 OBSOLETE PARTS: OBSOLETE CIS STREAMLINING PER D.RENAUD/D.SINISI



13	OBSOLETE	5	5	.030 OUNCES	-	-	1.07 [.042]	-	-	-	2-201145-7		
12	OBSOLETE	5	5	.030 OUNCES	-	-	1.07 [.042]	-	-	-	2-201145-6		
	OBSOLETE	6	6	.030 OUNCES	-	-	0.58 [.023]	-	-	-	1-201145-0		
	OBSOLETE	5	5	.030 OUNCES	-	-	0.81 [.032]	-	-	-	201145-8		
		5	5	.030 OUNCES	-	-	1.07 [.042]	-	-	-	201145-4		
		5	5	.030 OUNCES	-	-	0.58 [.023]	-	-	-	201145-2		
14	OBSOLETE	5	5	.030 OUNCES	-	-	1.07 [.042]	-	-	-	201145-1		
				CONTACT PLATING	SHELL PLATING	WEIGHT	CABLE SIZE	CRIMP TOOL	Y	3 FERRULE QTY=1	2 SPRING RETENTION QTY=1	1 PIN ASSY QTY=1	PART NUMBER

THIS DRAWING IS A CONTROLLED DOCUMENT.

DIMENSIONS: mm [INCHES]	TOLERANCES UNLESS OTHERWISE SPECIFIED: 0 PLC ±- 1 PLC ±- 2 PLC ±- 3 PLC ±0.20[.008] 4 PLC ±- ANGLES ±-	DWN J. LIPPERT 08 JAN 90	CHK M. SNEED 23 FEB 90	APVD B. ADAMS 23 FEB 90	NAME
MATERIAL SEE NOTES	FINISH SEE NOTES	TYCO Electronics Harrisburg, PA 17105-3608		PRODUCT SPEC 108-12021 APPLICATION SPEC	SIZE A100779
CUSTOMER DRAWING		SCALE 8:1	SHEET 1 of 1	REV BHI	RESTRICTED TO