



Chipsmall Limited consists of a professional team with an average of over 10 year of expertise in the distribution of electronic components. Based in Hongkong, we have already established firm and mutual-benefit business relationships with customers from,Europe,America and south Asia,supplying obsolete and hard-to-find components to meet their specific needs.

With the principle of “Quality Parts,Customers Priority,Honest Operation,and Considerate Service”,our business mainly focus on the distribution of electronic components. Line cards we deal with include Microchip,ALPS,ROHM,Xilinx,Pulse,ON,Everlight and Freescale. Main products comprise IC,Modules,Potentiometer,IC Socket,Relay,Connector.Our parts cover such applications as commercial,industrial, and automotives areas.

We are looking forward to setting up business relationship with you and hope to provide you with the best service and solution. Let us make a better world for our industry!



Contact us

Tel: +86-755-8981 8866 Fax: +86-755-8427 6832

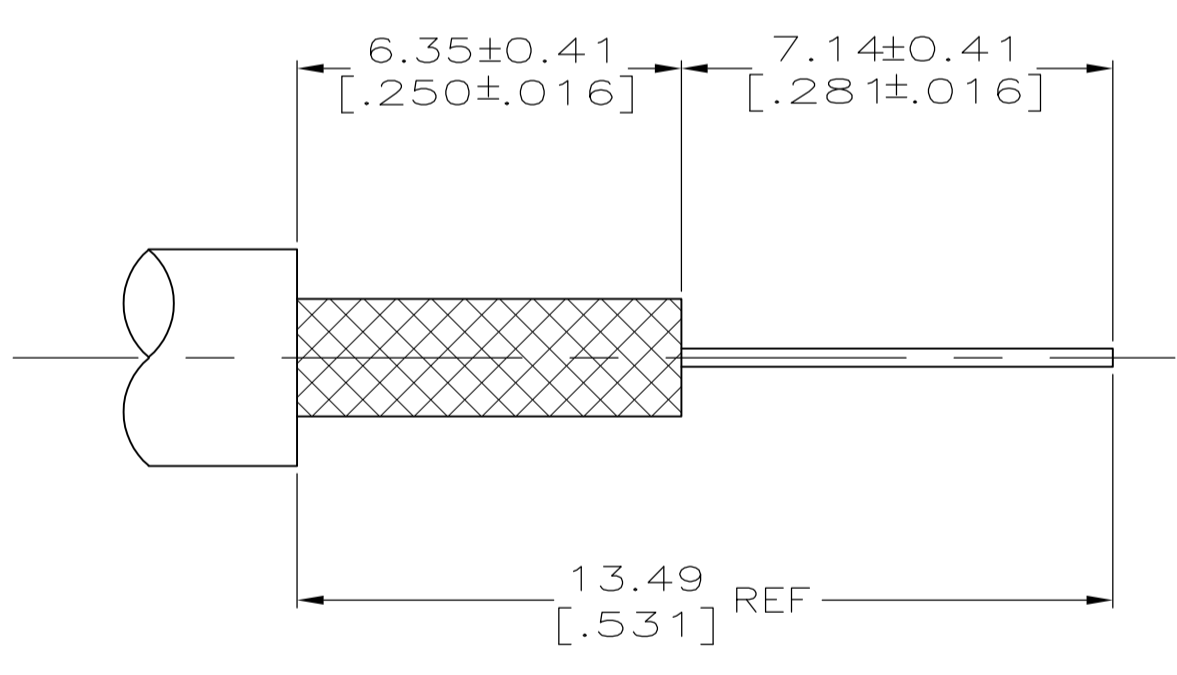
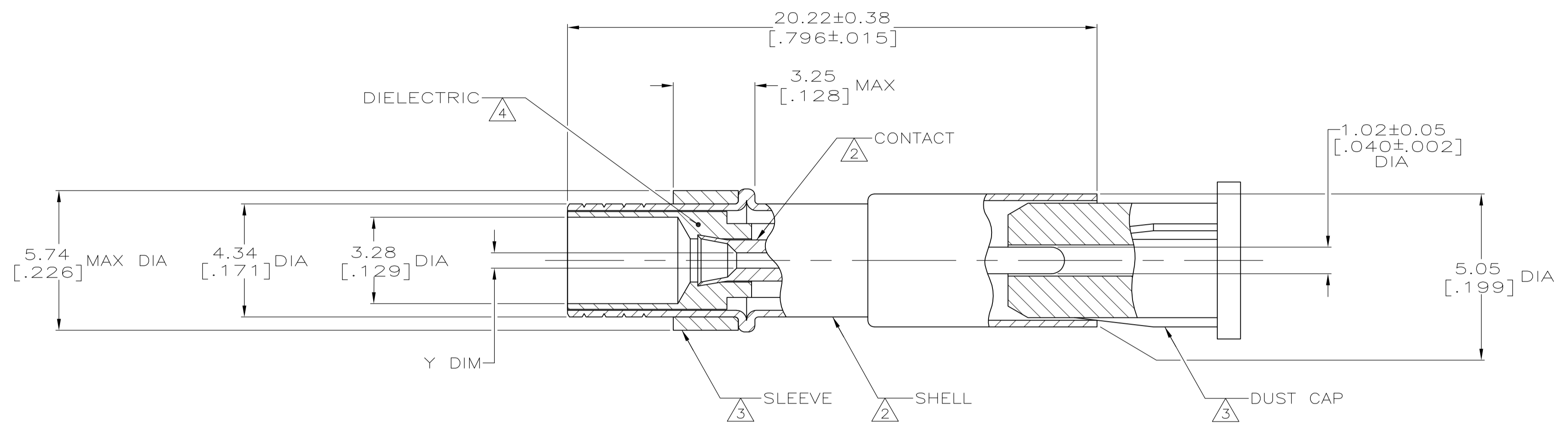
Email & Skype: info@chipsmall.com Web: www.chipsmall.com

Address: A1208, Overseas Decoration Building, #122 Zhenhua RD., Futian, Shenzhen, China



LOC		DIST		REVISIONS			
REV	BY	DATE	DESCRIPTION	DATE	BY	APPV	
AJ		16					
BL1			REVISED PER ECO-11-005030	11MAR11	RK	HMR	

1. SEE IS 1770
2. BRASS PER QQ-B-626
3. NYLON PER ASTM-D-4066, NATURAL.
4. POLYMETHYLPENTENE GENERAL PURPOSE.
5. .000030 MINIMUM GOLD PER MIL-G-45204.
6. .000100 MINIMUM GOLD PER MIL-G-45204.



RECOMMENDED STRIP LENGTH

REV	DESCRIPTION	DATE	BY	APPV
OBsolete				
5				
6				
5				
5				
5				
5				
5				

THIS DRAWING IS A CONTROLLED DOCUMENT.		DIN 8-9-94		WERNER	
DIMENSIONS: mm [INCHES]		TOLERANCES UNLESS OTHERWISE SPECIFIED:		CIRK 8-9-94	
0. PLC ± -		1. PLC ± -		J. McLEOD 8-9-94	
2. PLC ± 0.20 [.008]		3. PLC ± -		APVD J. McLEOD 8-9-94	
4. PLC ± -		5. ANGLES ± -		NAME	
MATERIAL		FINISH		SIZE	
1 2 3 4		5 6		CAGE CODE	
CUSTOMER DRAWING		SCALE 8:1		DRAWING NO	
		SHEET 1 of 1		RESTRICTED TO	
				A1 00779 C=201146	
				SOCKET, MINIATURE SERIES	
				TE Connectivity	