



Chipsmall Limited consists of a professional team with an average of over 10 year of expertise in the distribution of electronic components. Based in Hongkong, we have already established firm and mutual-benefit business relationships with customers from,Europe,America and south Asia,supplying obsolete and hard-to-find components to meet their specific needs.

With the principle of “Quality Parts,Customers Priority,Honest Operation,and Considerate Service”,our business mainly focus on the distribution of electronic components. Line cards we deal with include Microchip,ALPS,ROHM,Xilinx,Pulse,ON,Everlight and Freescale. Main products comprise IC,Modules,Potentiometer,IC Socket,Relay,Connector.Our parts cover such applications as commercial,industrial, and automotives areas.

We are looking forward to setting up business relationship with you and hope to provide you with the best service and solution. Let us make a better world for our industry!



Contact us

Tel: +86-755-8981 8866 Fax: +86-755-8427 6832

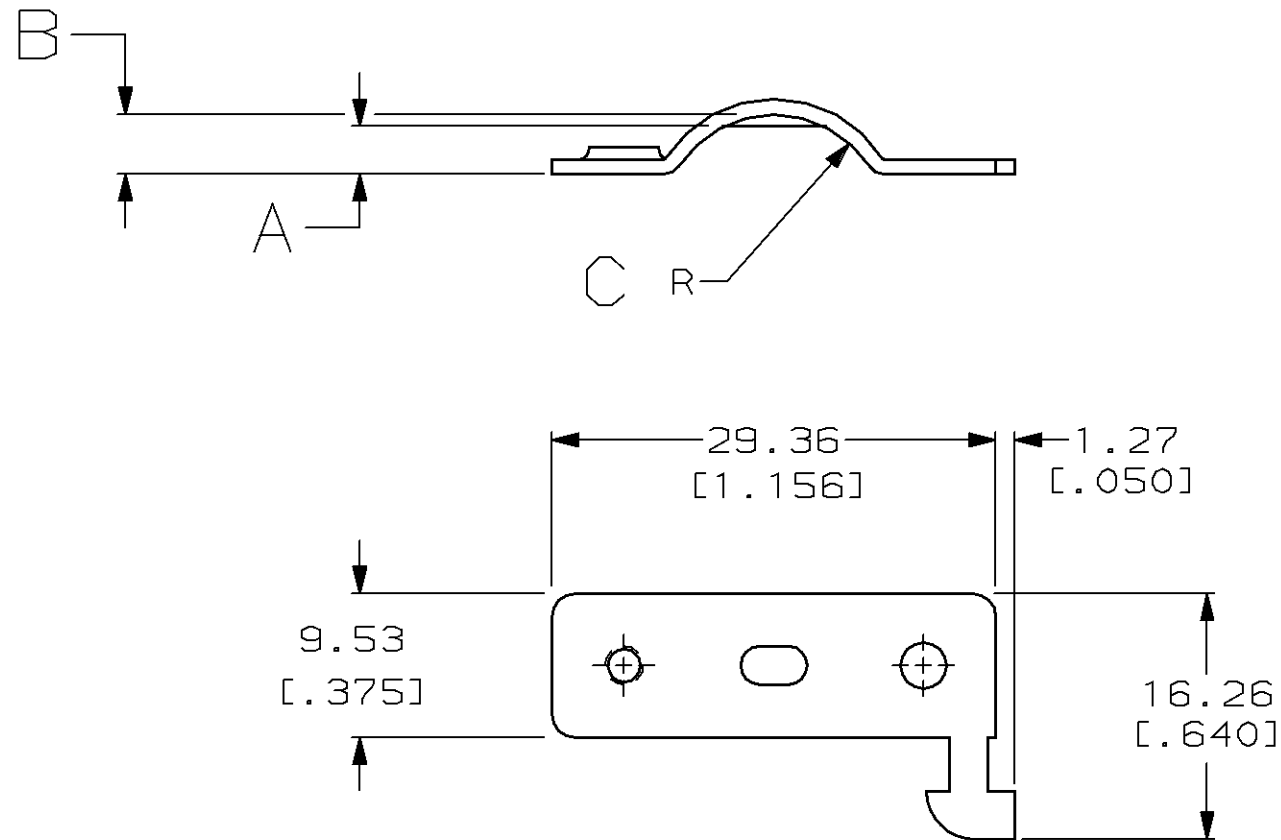
Email & Skype: info@chipsmall.com Web: www.chipsmall.com

Address: A1208, Overseas Decoration Building, #122 Zhenhua RD., Futian, Shenzhen, China



THIS DRAWING IS UNPUBLISHED. RELEASED FOR PUBLICATION, 19
 © COPYRIGHT 19 BY AMP INCORPORATED. ALL INTERNATIONAL RIGHTS RESERVED.

MOD	LOC	DIST	P	F	REVISIONS				
					ZONE	LTR	DESCRIPTION	DATE	APPD
2	BD	36				0	RELEASED	01/23/91	-
						01	ADDED -9 NPR 4784 WAS 93-5034-1	05/13/93	RK
						A	REV PER EC 0020-1470-93	01/03/94	TC



8.89 [.350]	3.07 [.121]	2.29 [.090]	201162-9
7.54 [.297]	3.96 [.156]	3.18 [.125]	201162-7
5.54 [.218]	5.54 [.218]	5.08 [.200]	201162-4

	C	B	A	PART NO
DO NOT SCALE PRINT. UNLESS SPECIFIED DIMENSIONS IN mm [INCHES] TOLERANCES ON: 2 PLC DEC ± 0.13 [.005] 3 PLC DEC ± - ANGLES ± -	DR 01/23/91 L.SIPE	AMP AMP Incorporated Harrisburg, PA 17105-3608		
MATERIAL CARBON STEEL	CHK 1-25-91 W.LENKER			
FINISH 5.08µm [.000200] MIN NICKEL	APPD 1-31-91 R.WALTER	NAME CABLE CLAMP, 34 PLACE SHIELD, M SERIES		
	APPD 1-31-91 W.PARKER	SIZE B	CAGE CODE 00779	DRAWING NO 201162
	PRODUCT SPEC -	SCALE 2:1	SHEET 1 OF 1	
	APPLICATION SPEC -			
	WEIGHT -			