



Chipsmall Limited consists of a professional team with an average of over 10 year of expertise in the distribution of electronic components. Based in Hongkong, we have already established firm and mutual-benefit business relationships with customers from,Europe,America and south Asia,supplying obsolete and hard-to-find components to meet their specific needs.

With the principle of “Quality Parts,Customers Priority,Honest Operation,and Considerate Service”,our business mainly focus on the distribution of electronic components. Line cards we deal with include Microchip,ALPS,ROHM,Xilinx,Pulse,ON,Everlight and Freescale. Main products comprise IC,Modules,Potentiometer,IC Socket,Relay,Connector.Our parts cover such applications as commercial,industrial, and automotives areas.

We are looking forward to setting up business relationship with you and hope to provide you with the best service and solution. Let us make a better world for our industry!



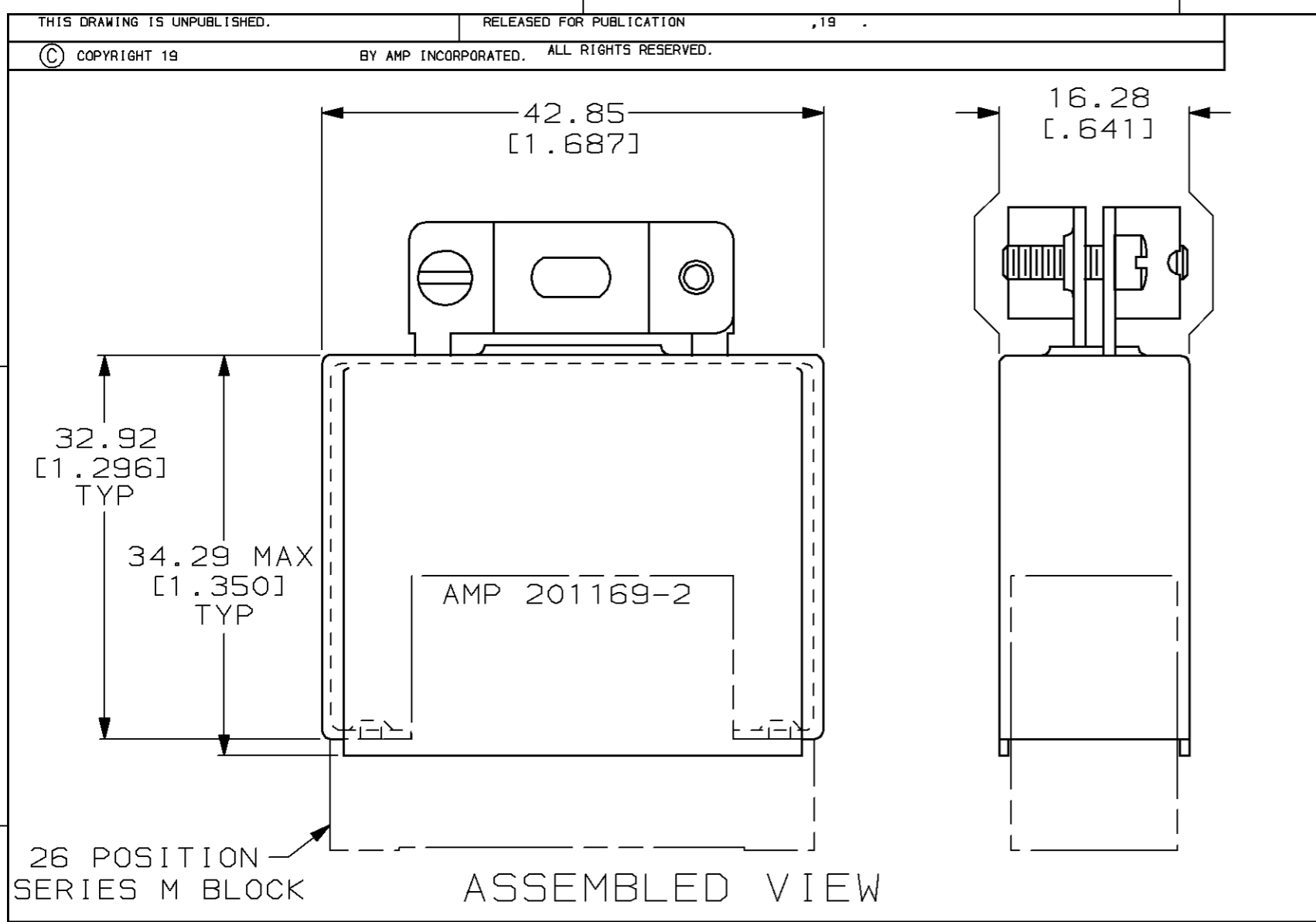
Contact us

Tel: +86-755-8981 8866 Fax: +86-755-8427 6832

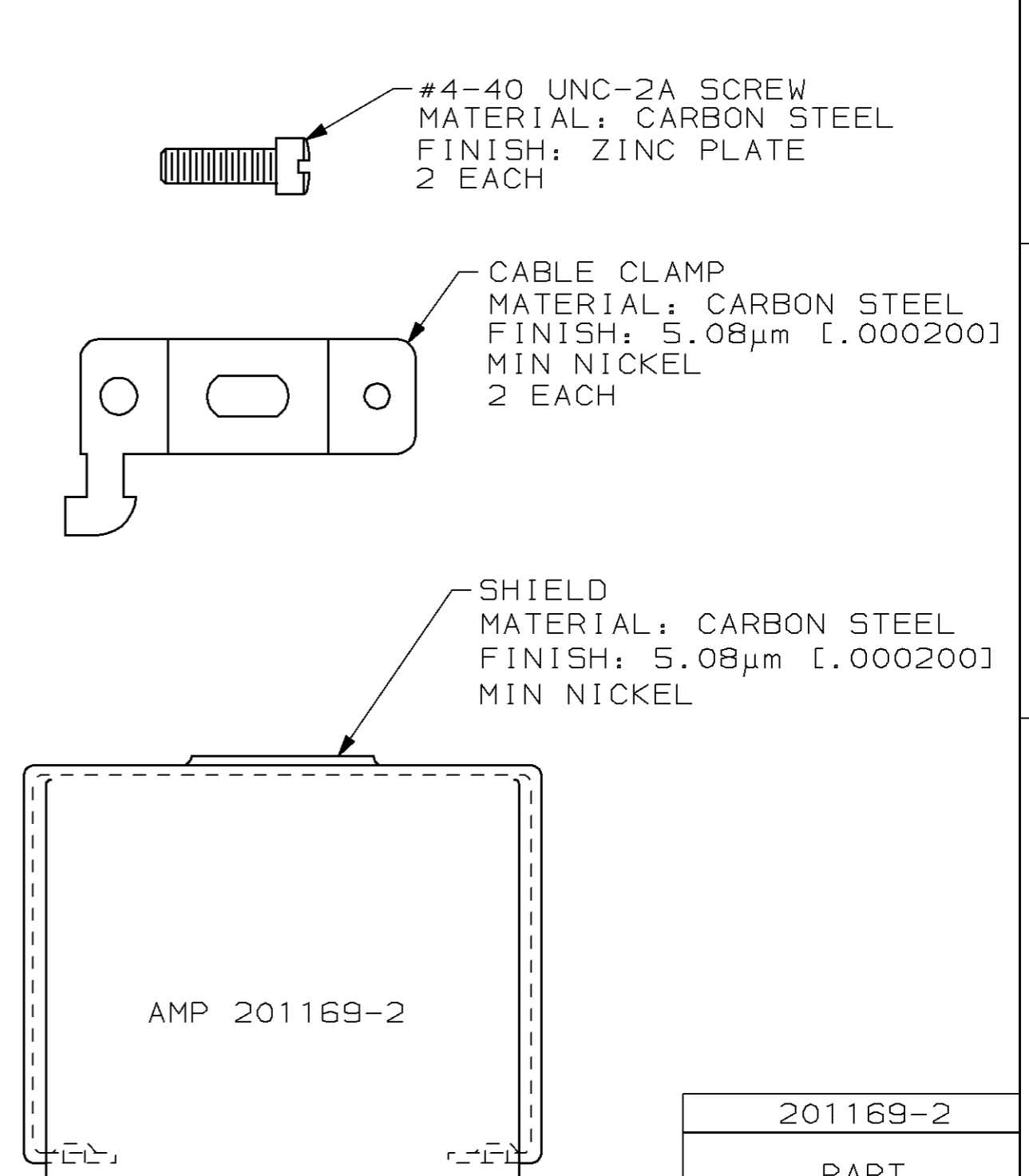
Email & Skype: info@chipsmall.com Web: www.chipsmall.com

Address: A1208, Overseas Decoration Building, #122 Zhenhua RD., Futian, Shenzhen, China





LOC	DIST	REVISIONS			
P	LTR	DESCRIPTION	DATE	DWN	APVD
FT	8	S	REDWN W/O CHNG PER EC 0020-291-96	05 JUN 96	TS GS



1. CLAMP AREA WILL ACCEPT 26 WIRES OF
1.78 [.070] MAX DIA.

201169-2
PART NUMBER

THIS DRAWING IS A CONTROLLED DOCUMENT.		DWN T. SMITH 05 JUN 96	AMP AMP Incorporated Harrisburg, PA 17105-3608
		CHK R. STONE 06 JUN 96	
DIMENSIONS: mm [INCHES]		APVD G. STEINHAUER 21 JAN 97	NAME SHIELD KIT, UNASSEMBLED, 26 POSITION, M SERIES
TOLERANCES UNLESS OTHERWISE SPECIFIED:		PRODUCT SPEC -	SIZE A3
0 PLC ±-		APPLICATION SPEC -	CAGE CODE 00779
1 PLC ±-		WEIGHT -	DRAWING NO C-201169
2 PLC ±0.38 [.015]		CUSTOMER DRAWING	SCALE 2:1
3 PLC ±-			SHEET 1 OF 1
4 PLC ±-			REV S
ANGLES ±-			
MATERIAL SEE CALLOUTS	FINISH SEE CALLOUTS		