



Chipsmall Limited consists of a professional team with an average of over 10 year of expertise in the distribution of electronic components. Based in Hongkong, we have already established firm and mutual-benefit business relationships with customers from,Europe,America and south Asia,supplying obsolete and hard-to-find components to meet their specific needs.

With the principle of "Quality Parts,Customers Priority,Honest Operation,and Considerate Service",our business mainly focus on the distribution of electronic components. Line cards we deal with include Microchip,ALPS,ROHM,Xilinx,Pulse,ON,Everlight and Freescale. Main products comprise IC,Modules,Potentiometer,IC Socket,Relay,Connector.Our parts cover such applications as commercial,industrial, and automotives areas.

We are looking forward to setting up business relationship with you and hope to provide you with the best service and solution. Let us make a better world for our industry!



Contact us

Tel: +86-755-8981 8866 Fax: +86-755-8427 6832

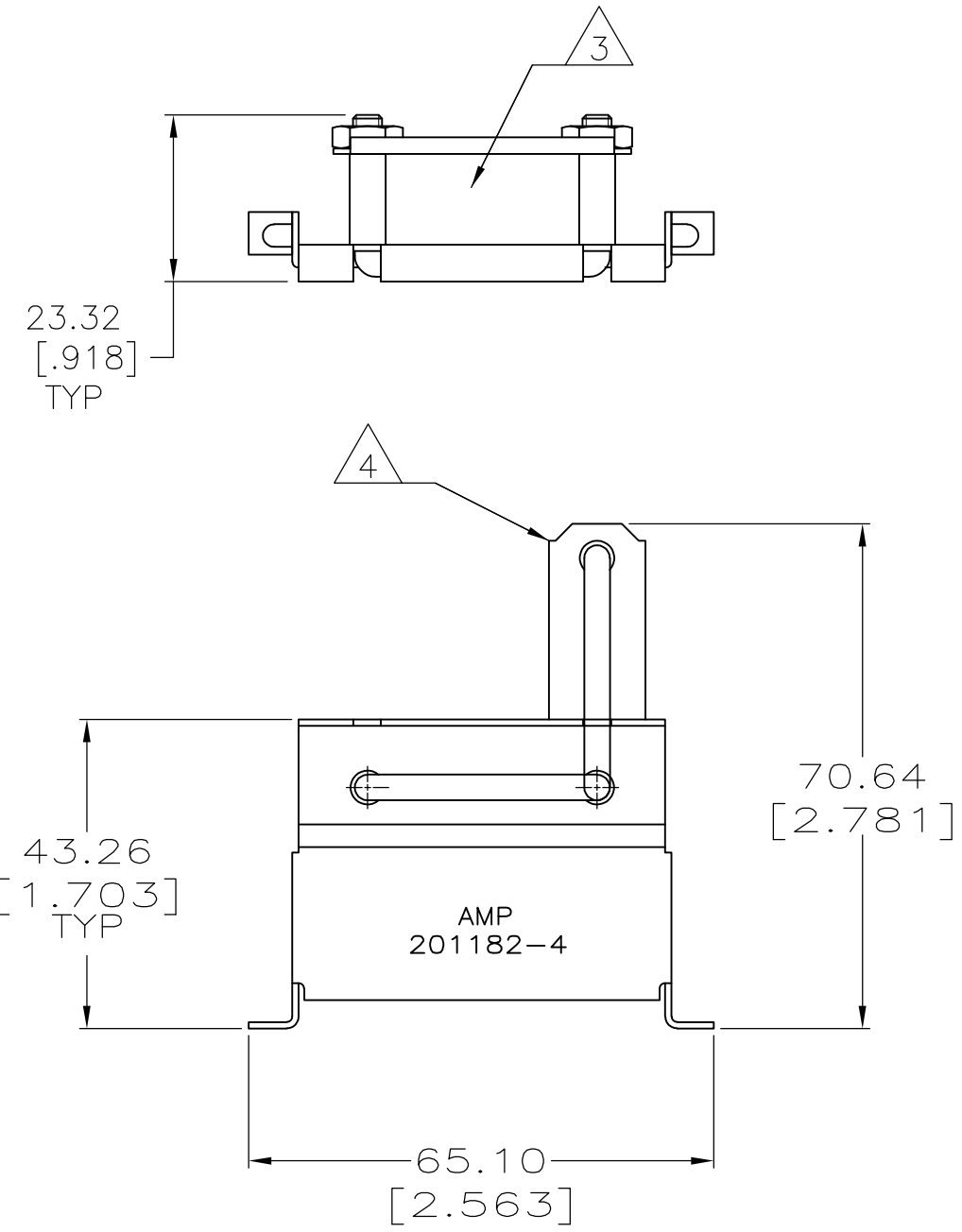
Email & Skype: info@chipsmall.com Web: www.chipsmall.com

Address: A1208, Overseas Decoration Building, #122 Zhenhua RD., Futian, Shenzhen, China

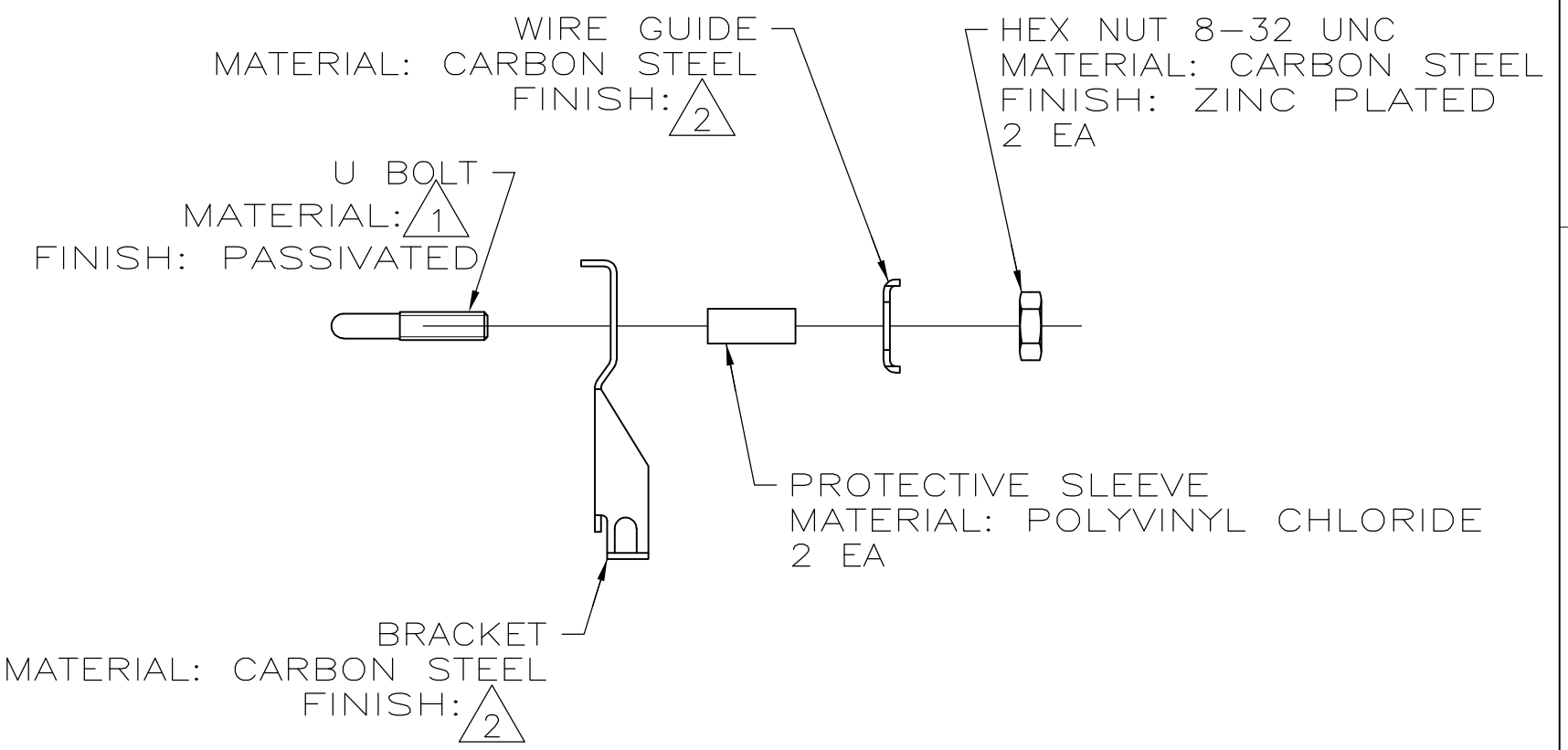


THIS DRAWING IS UNPUBLISHED. RELEASED FOR PUBLICATION
 © COPYRIGHT BY TYCO ELECTRONICS CORPORATION. ALL INTERNATIONAL RIGHTS RESERVED.

LOC	DIST	REVISIONS					
FT	0	P	LTR	DESCRIPTION	DATE	DWN	APVD
		N		REVISED PER ECO-10-021995	12JAN11	HMR	MG



ASSEMBLED VIEW



- 1 STAINLESS STEEL.
- 2 5.08um[.000200] MIN NICKEL.
- 3 384.52 SQ mm[.596 SQ IN] MAX CABLE AREA.
- 4 ALTERNATE POSITION OF CLAMP FOR 90° CABLE OUTLET.

201182-4	201182-1
PART NUMBER	
SUPERSEDED BY 201182-4	

THIS DRAWING IS A CONTROLLED DOCUMENT.		DWN C.REIFSNYDER 17 APR 96	Tyco Electronics Corporation Harrisburg, PA 17105-3608	
DIMENSIONS: mm [INCHES]		CHK R.STONE 24 MAY 96	NAME	
TOLERANCES UNLESS OTHERWISE SPECIFIED:		APVD G. STEINHAUER 21 JUN 96	CLAMP KIT, UNASSEMBLED, STRAIN RELIEF, 50 PLACE, M SERIES	
0 PLC ± -		PRODUCT SPEC	SIZE	CAGE CODE
1 PLC ± -		APPLICATION SPEC	A3	00779
2 PLC ± 0.38[.015]		WEIGHT	DRAWING NO	
3 PLC ± -			G-201182	
4 PLC ± -			RESTRICTED TO	
ANGLES ± -				
MATERIAL SEE CALLOUTS	FINISH SEE CALLOUTS	CUSTOMER DRAWING	SCALE 2:1	SHEET 1 OF 1
			REV N	