



Chipsmall Limited consists of a professional team with an average of over 10 year of expertise in the distribution of electronic components. Based in Hongkong, we have already established firm and mutual-benefit business relationships with customers from,Europe,America and south Asia,supplying obsolete and hard-to-find components to meet their specific needs.

With the principle of “Quality Parts,Customers Priority,Honest Operation,and Considerate Service”,our business mainly focus on the distribution of electronic components. Line cards we deal with include Microchip,ALPS,ROHM,Xilinx,Pulse,ON,Everlight and Freescale. Main products comprise IC,Modules,Potentiometer,IC Socket,Relay,Connector.Our parts cover such applications as commercial,industrial, and automotives areas.

We are looking forward to setting up business relationship with you and hope to provide you with the best service and solution. Let us make a better world for our industry!



Contact us

Tel: +86-755-8981 8866 Fax: +86-755-8427 6832

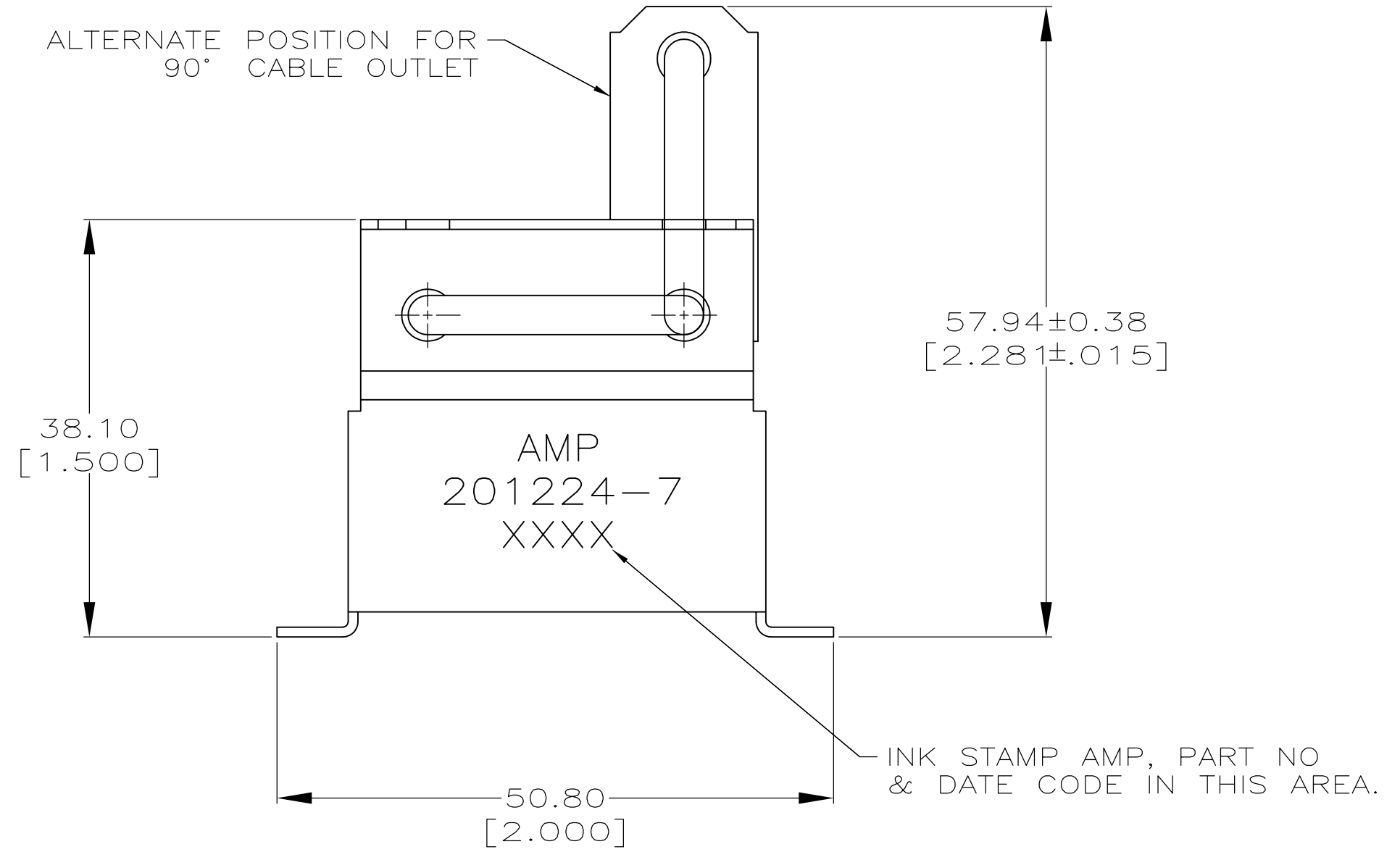
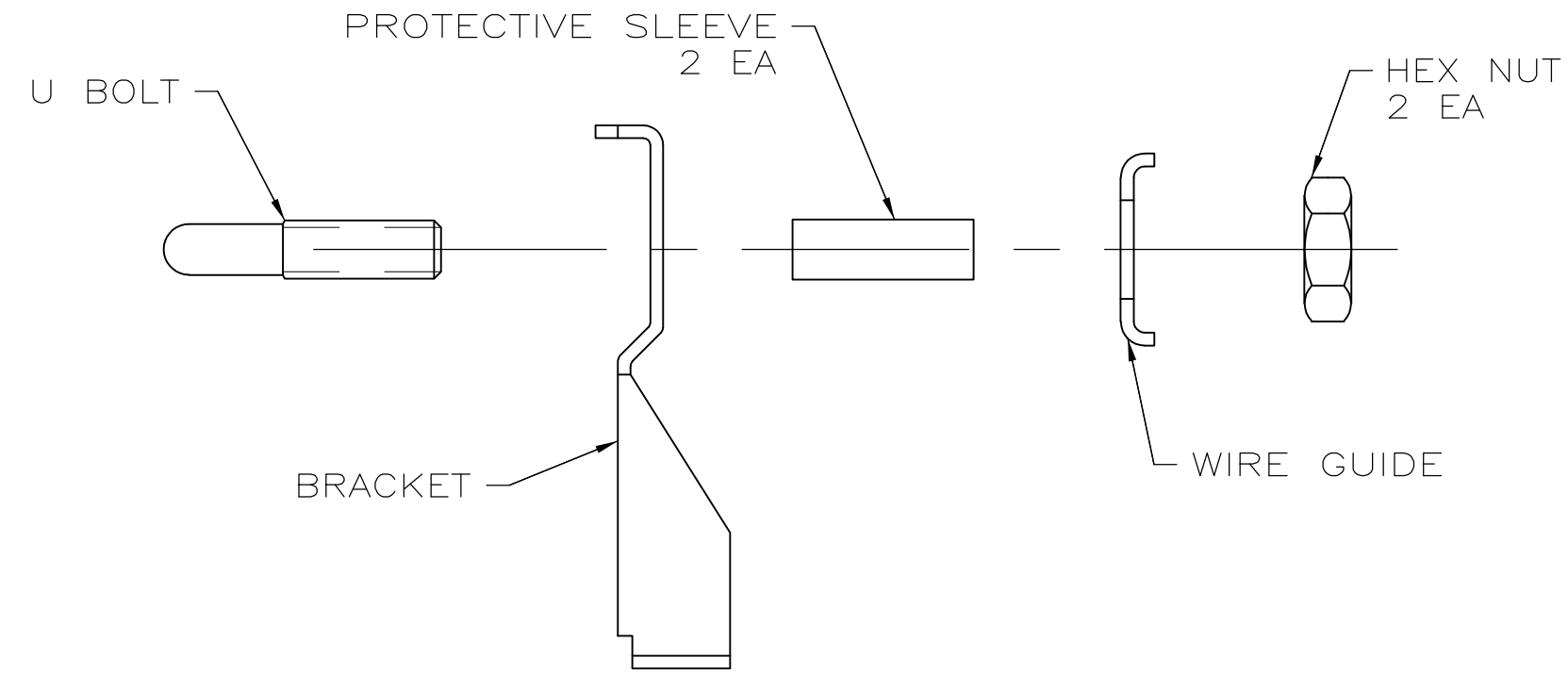
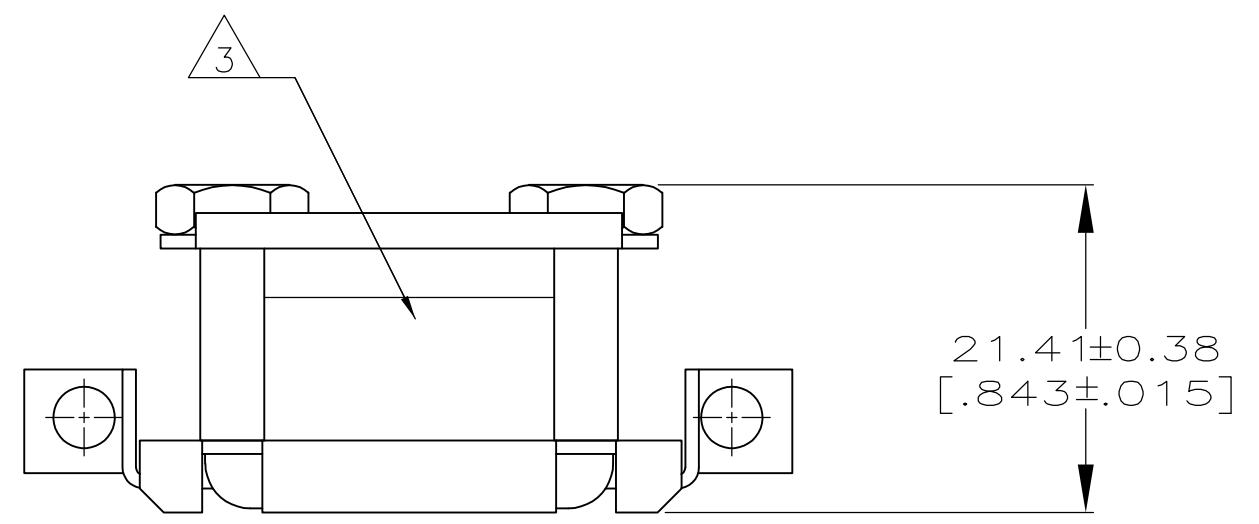
Email & Skype: info@chipsmall.com Web: www.chipsmall.com

Address: A1208, Overseas Decoration Building, #122 Zhenhua RD., Futian, Shenzhen, China



THIS DRAWING IS UNPUBLISHED. RELEASED FOR PUBLICATION
 © COPYRIGHT BY TYCO ELECTRONICS CORPORATION. ALL INTERNATIONAL RIGHTS RESERVED.

| LOC | | DIST | | REVISIONS | | | |
|-----|-----|-------------|--|---------------------------|---------|------|----|
| P | LTR | DESCRIPTION | | DATE | DWN | APVD | |
| FT | 0 | V | | REVISED PER ECO-10-021995 | 12JAN11 | HMR | MC |



- 1 BRACKET: STAINLESS STEEL PER QQ-S-766.
U BOLT: STAINLESS STEEL PER ASTM-A-582.
WIRE GUIDE & HEX NUT: CARBON STEEL.
PROTECTIVE SLEEVE: POLYVINYL CHLORIDE.
- 2 U BOLT: PASSIVATED.
WIRE GUIDE: 5.08um[.000200] MIN NICKEL PLATE.
HEX NUT: ZINC PLATED PER ASTM-B-633.
- 3 MAX CLAMP AREA = 225.81 SQ mm [.350 SQ IN]

| | |
|------------------------|----------|
| SUPERSEDED BY 201224-7 | 201224-7 |
| | 201224-1 |
| PART NUMBER | |

| | | | | | |
|---|--|-----------------------------------|--|--------------------|------------------------|
| THIS DRAWING IS A CONTROLLED DOCUMENT. | | DWN C.REIFSNYDER 06 SEP 95 | Tyco Electronics Corporation Harrisburg, PA 17105-3608 | | |
| DIMENSIONS: mm [INCHES] | | CHK R.STONE 15 SEP 95 | | | |
| TOLERANCES UNLESS OTHERWISE SPECIFIED: | | APVD G.STEINHAUER 03 OCT 95 | NAME CLAMP KIT, UNASSEMBLED, 34 PLACE, MINIATURE RECTANGULAR, STRAIN RELIEF, M SERIES | | |
| 0 PLC ± - 1 PLC ± - 2 PLC ± 0.13 [.005] 3 PLC ± - 4 PLC ± - ANGLES ± - | | PRODUCT SPEC APPLICATION SPEC | SIZE A2 | CAGE CODE 00779 | DRAWING NO C=201224 |
| MATERIAL - | | FINISH - | WEIGHT - | RESTRICTED TO - | |
| CUSTOMER DRAWING | | | SCALE 2:1 | SHEET 1 OF 1 | REV V |