



Chipsmall Limited consists of a professional team with an average of over 10 year of expertise in the distribution of electronic components. Based in Hongkong, we have already established firm and mutual-benefit business relationships with customers from,Europe,America and south Asia,supplying obsolete and hard-to-find components to meet their specific needs.

With the principle of "Quality Parts,Customers Priority,Honest Operation,and Considerate Service",our business mainly focus on the distribution of electronic components. Line cards we deal with include Microchip,ALPS,ROHM,Xilinx,Pulse,ON,Everlight and Freescale. Main products comprise IC,Modules,Potentiometer,IC Socket,Relay,Connector.Our parts cover such applications as commercial,industrial, and automotives areas.

We are looking forward to setting up business relationship with you and hope to provide you with the best service and solution. Let us make a better world for our industry!



## Contact us

Tel: +86-755-8981 8866 Fax: +86-755-8427 6832

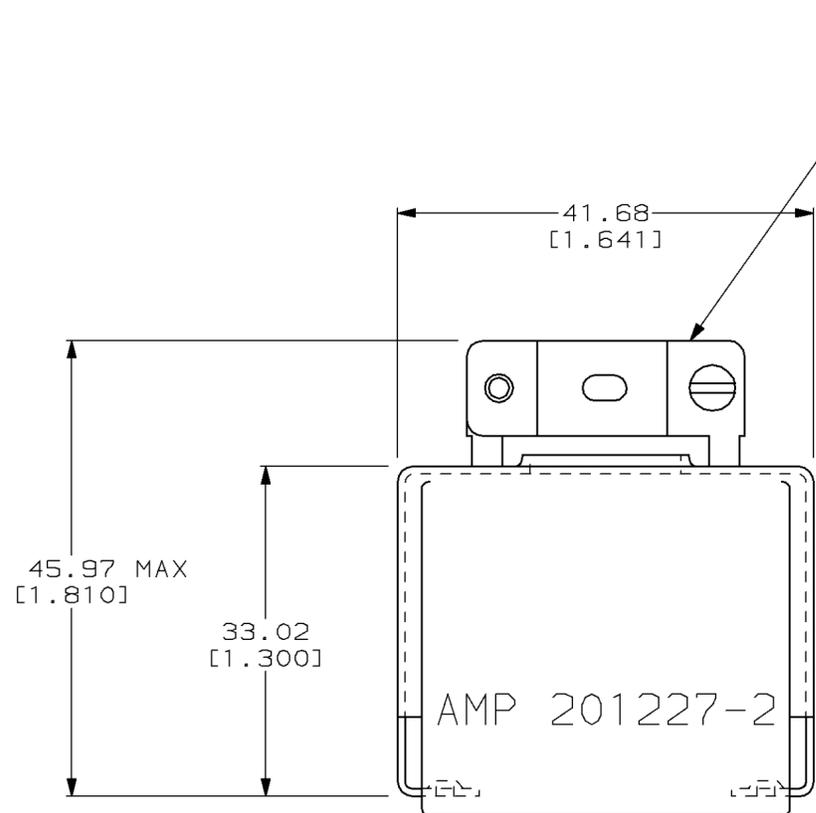
Email & Skype: info@chipsmall.com Web: www.chipsmall.com

Address: A1208, Overseas Decoration Building, #122 Zhenhua RD., Futian, Shenzhen, China

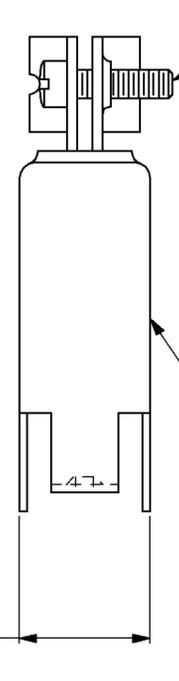


THIS DRAWING IS UNPUBLISHED. RELEASED FOR PUBLICATION  
 BY AMP INCORPORATED. ALL RIGHTS RESERVED.

LOC	DIST	REVISIONS					
		P	LTR	DESCRIPTION	DATE	DWN	APVD
BD	36	U		REDRAWN PER EC 0020-1346-95	16 JAN 96	-	-



CABLE CLAMP  
 MATERIAL: CARBON STEEL  
 FINISH: 5.08µm [.000200] MIN NICKEL  
 2 EACH



4-40 UNC FILLISTER HEAD SCREW  
 MATERIAL: CARBON STEEL  
 FINISH: 3.81µm [.000150] MIN ZINC  
 2 EACH

SHIELD  
 MATERIAL: CARBON STEEL  
 FINISH: 5.08µm [.000200] MIN NICKEL

ASSEMBLED VIEW

1. CABLE CLAMP WILL ACCEPT 20 WIRES OF 1.78 [.070] MAX DIA.

201227-2  
 PART NUMBER

<small>THIS DRAWING IS A CONTROLLED DOCUMENT FOR AMP INCORPORATED. IT IS SUBJECT TO CHANGE AND THE CONTROLLING ENGINEERING ORGANIZATION SHOULD BE CONTACTED FOR THE LATEST REVISION.</small>		DWN C. DORWART 16 JAN 96 CHK R. STONE 29 FEB 96 APVD G. STEINHAUER 07 MAR 96	<b>AMP</b> AMP Incorporated Harrisburg, PA 17105-3608
DIMENSIONS: mm [INCHES]	TOLERANCES UNLESS OTHERWISE SPECIFIED: 0 PLC ±- 1 PLC ±- 2 PLC ±0.41 [.016] 3 PLC ±- 4 PLC ±- ANGLES ±- FINISH -	PRODUCT SPEC - APPLICATION SPEC - WEIGHT -	NAME SIZE A2 CAGE CODE 00779 DRAWING NO. C-201227 SCALE 2:1 SHEET 1 OF 1 REV U
MATERIAL - CUSTOMER DRAWING			SHIELD KIT, UNASSEMBLED, 20 POSITION, M SERIES

201227