



Chipsmall Limited consists of a professional team with an average of over 10 year of expertise in the distribution of electronic components. Based in Hongkong, we have already established firm and mutual-benefit business relationships with customers from,Europe,America and south Asia,supplying obsolete and hard-to-find components to meet their specific needs.

With the principle of “Quality Parts,Customers Priority,Honest Operation,and Considerate Service”,our business mainly focus on the distribution of electronic components. Line cards we deal with include Microchip,ALPS,ROHM,Xilinx,Pulse,ON,Everlight and Freescale. Main products comprise IC,Modules,Potentiometer,IC Socket,Relay,Connector.Our parts cover such applications as commercial,industrial, and automotives areas.

We are looking forward to setting up business relationship with you and hope to provide you with the best service and solution. Let us make a better world for our industry!



## Contact us

Tel: +86-755-8981 8866 Fax: +86-755-8427 6832

Email & Skype: info@chipsmall.com Web: www.chipsmall.com

Address: A1208, Overseas Decoration Building, #122 Zhenhua RD., Futian, Shenzhen, China



THIS DRAWING IS UNPUBLISHED. RELEASED FOR PUBLICATION  
 © COPYRIGHT BY TYCO ELECTRONICS CORPORATION. ALL RIGHTS RESERVED.

LOC	DIST	REVISIONS			
P	LTR	DESCRIPTION	DATE	DWN	APVD
FT	0				
	N	REVISED PER ECO-08-031035	15DEC08	HMR	GS
	N1	REVISED PER ECO-09-020935	09SEP09	KK	AEG

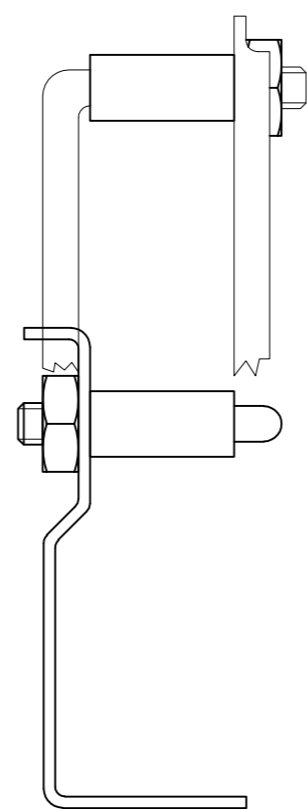
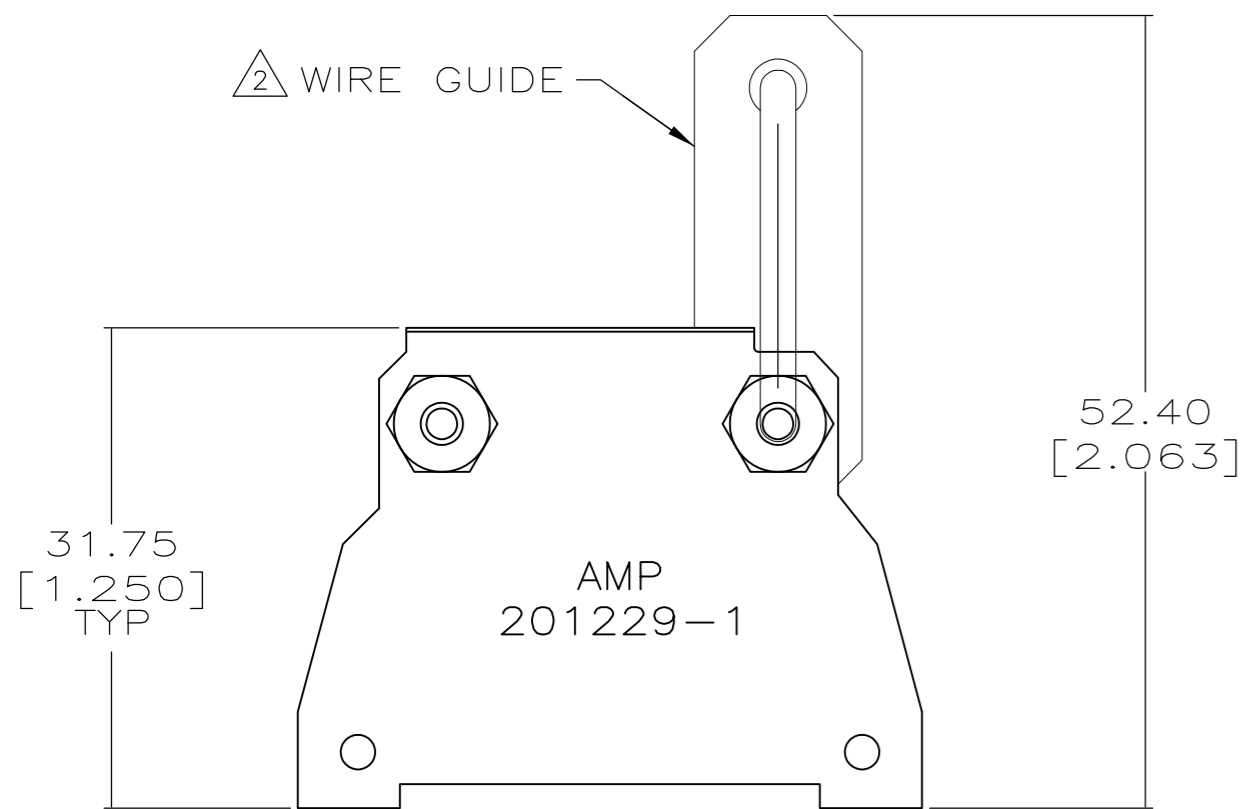
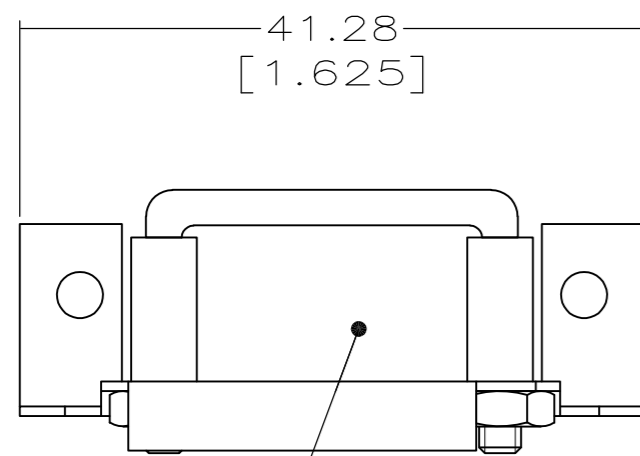
HEX NUT, 4-40 UNC  
 MATERIAL: CARBON STEEL  
 FINISH:  $\triangle 4$   
 2 EA

U BOLT  
 MATERIAL: STAINLESS STEEL  
 FINISH: PASSIVATED

WIRE GUIDE  
 MATERIAL: CARBON STEEL  
 FINISH:  $\triangle 1$

PROTECTIVE SLEEVE  
 MATERIAL: POLYVINYL CHLORIDE  
 2 EA

STRAIN RELIEF  
 MATERIAL: CARBON STEEL  
 FINISH:  $\triangle 1$



- $\triangle 1$  5.08um[.000200] MIN NICKEL.
- $\triangle 2$  WIRE GUIDE USED IN ALTERNATE POSITION FOR 90° CABLE OUTLET ONLY.
- $\triangle 3$  206.45 SQ mm [.320 SQ IN] MAX CLAMP AREA.
- $\triangle 4$  ZINC PLATED.
- $\triangle 5$  OBSOLETE PARTS: OBSOLETE CIS STREAMLINING PER D.RENAUD/D.SINISI

$\triangle 5$ OBSOLETE	201229-5
	201229-1

PART NUMBER

ASSEMBLED VIEW

THIS DRAWING IS A CONTROLLED DOCUMENT.		DWN C.REIFSNYDER 14 MAY 96	Tyco Electronics Corporation Harrisburg, Pa 17105-3608	
DIMENSIONS: mm [INCHES]		CHK R.STONE 24 MAY 96	NAME CLAMP KIT, UNASSEMBLED, STRAIN RELIEF, 26 PLACE M SERIES	
TOLERANCES UNLESS OTHERWISE SPECIFIED:		APVD G. STEINHAUER 21 JUN 96	SIZE A2	CAGE CODE 00779
0 PLC ± -		PRODUCT SPEC	DRAWING NO C=201229	RESTRICTED TO
1 PLC ± -		APPLICATION SPEC	SCALE 2:1	SHEET 1 OF 1
2 PLC ± 0.38[.015]		WEIGHT -	REV N1	
3 PLC ± -		CUSTOMER DRAWING		
4 PLC ± -				
ANGLES ± -				
FINISH SEE CALLOUTS				