



Chipsmall Limited consists of a professional team with an average of over 10 year of expertise in the distribution of electronic components. Based in Hongkong, we have already established firm and mutual-benefit business relationships with customers from,Europe,America and south Asia,supplying obsolete and hard-to-find components to meet their specific needs.

With the principle of “Quality Parts,Customers Priority,Honest Operation,and Considerate Service”,our business mainly focus on the distribution of electronic components. Line cards we deal with include Microchip,ALPS,ROHM,Xilinx,Pulse,ON,Everlight and Freescale. Main products comprise IC,Modules,Potentiometer,IC Socket,Relay,Connector.Our parts cover such applications as commercial,industrial, and automotives areas.

We are looking forward to setting up business relationship with you and hope to provide you with the best service and solution. Let us make a better world for our industry!



Contact us

Tel: +86-755-8981 8866 Fax: +86-755-8427 6832

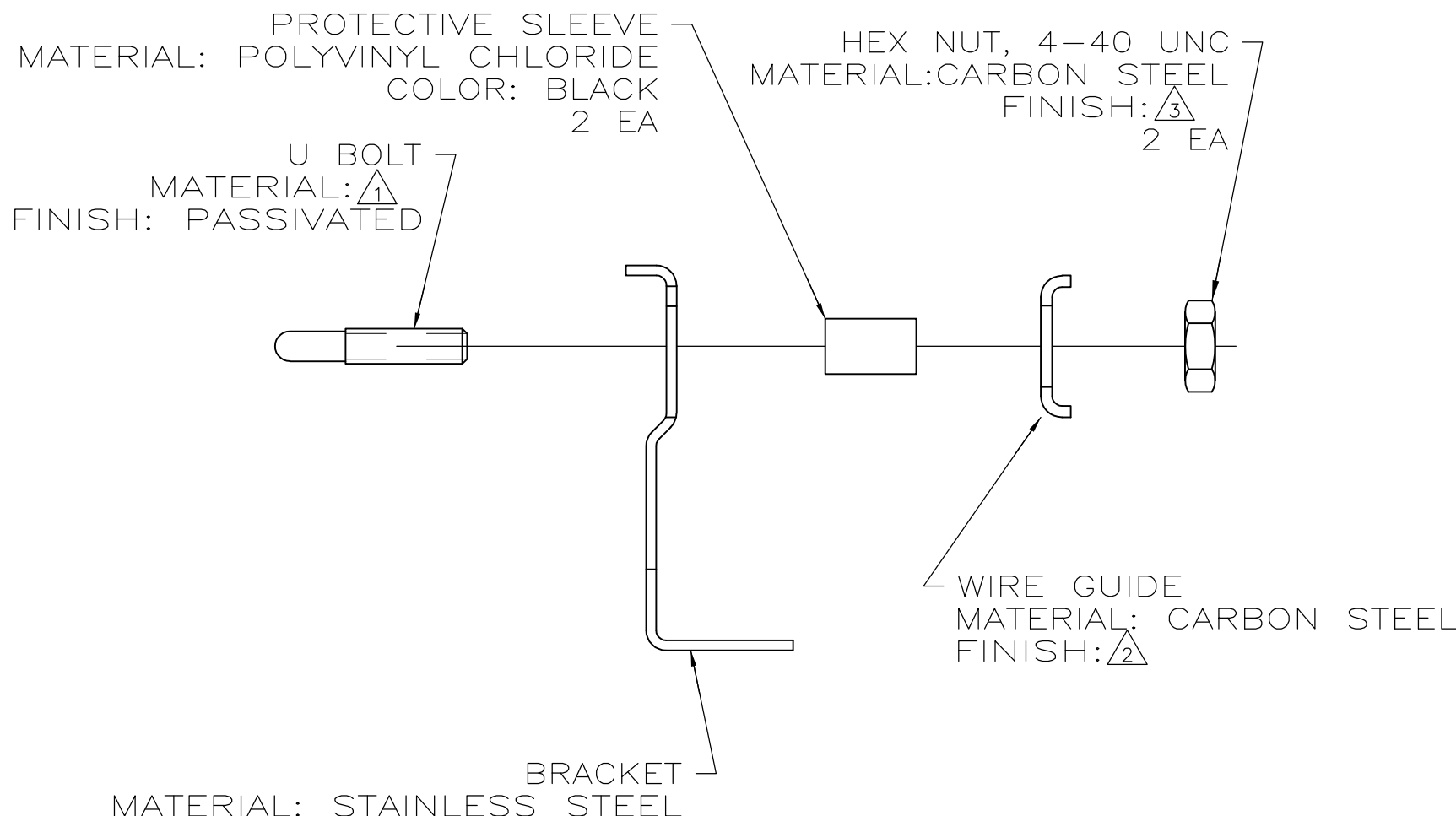
Email & Skype: info@chipsmall.com Web: www.chipsmall.com

Address: A1208, Overseas Decoration Building, #122 Zhenhua RD., Futian, Shenzhen, China

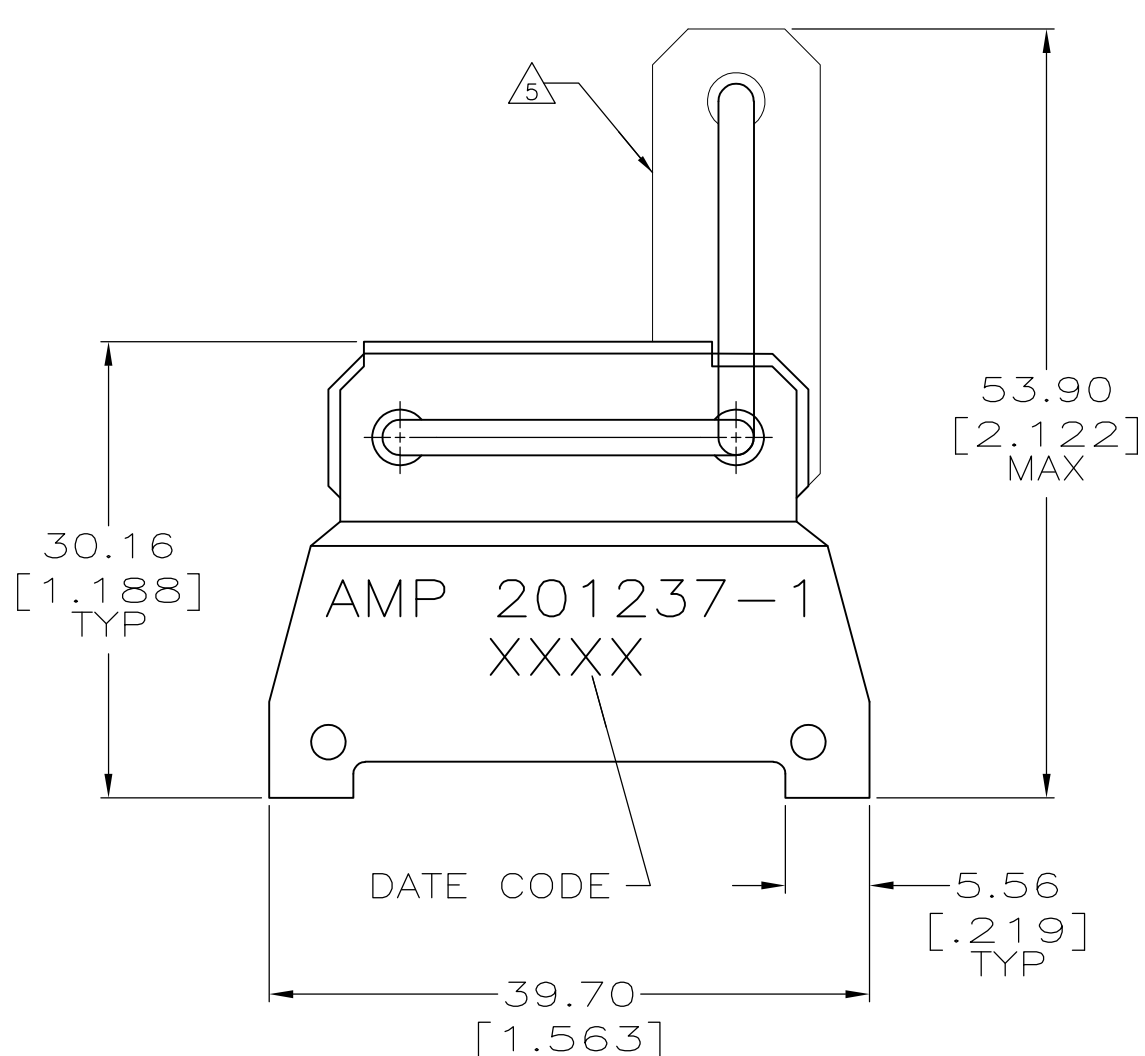
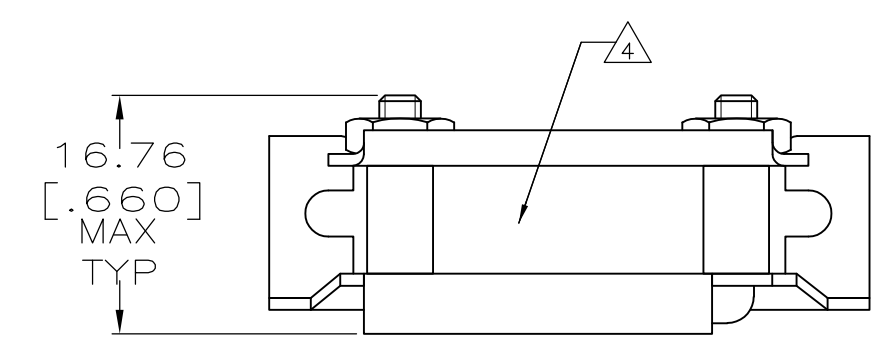


THIS DRAWING IS UNPUBLISHED. RELEASED FOR PUBLICATION
 © COPYRIGHT BY TYCO ELECTRONICS CORPORATION. ALL INTERNATIONAL RIGHTS RESERVED.

LOC	DIST	REVISIONS		
FT	0	P	LTR	DESCRIPTION
		G		REVISED PER ECO-08-031035
				DATE
				15DEC08
				DWN
				HMR
				APVD
				GS



- $\triangle 1$ STAINLESS STEEL PER QQ-S-763.
- $\triangle 2$ 5.08um[.000200] MIN NICKEL.
- $\triangle 3$ ZINC PER ASTM-B-633.
- $\triangle 4$ 161.29 SQ mm[.250 SQ IN] MAX CLAMP AREA.
- $\triangle 5$ ALTERNATE POSITION OF CABLE CLAMP FOR 90° CABLE OUTLET.



ASSEMBLED VIEW

201237-2
201237-1
PART NUMBER

THIS DRAWING IS A CONTROLLED DOCUMENT.		DWN C. REIFSNYDER 18 APR 96	Tyco Electronics Corporation Harrisburg, PA 17105-3608	
DIMENSIONS: mm [INCHES]		CHK R. STONE 24 MAY 96	NAME	
TOLERANCES UNLESS OTHERWISE SPECIFIED:		APVD G. STEINHAUER 21 JUN 96	PRODUCT SPEC	
0 PLC ± -		APPLICATION SPEC		
1 PLC ± -		SIZE		
2 PLC ± 0.38[.015]		CAGE CODE		
3 PLC ± -		DRAWING NO		
4 PLC ± -		RESTRICTED TO		
ANGLES ± -		A3 00779 C-201237		
MATERIAL SEE CALLOUTS		FINISH SEE CALLOUTS		
WEIGHT		SCALE 2:1		
CUSTOMER DRAWING		SHEET 1 OF 1		
		REV G		