



Chipsmall Limited consists of a professional team with an average of over 10 year of expertise in the distribution of electronic components. Based in Hongkong, we have already established firm and mutual-benefit business relationships with customers from,Europe,America and south Asia,supplying obsolete and hard-to-find components to meet their specific needs.

With the principle of “Quality Parts,Customers Priority,Honest Operation,and Considerate Service”,our business mainly focus on the distribution of electronic components. Line cards we deal with include Microchip,ALPS,ROHM,Xilinx,Pulse,ON,Everlight and Freescale. Main products comprise IC,Modules,Potentiometer,IC Socket,Relay,Connector.Our parts cover such applications as commercial,industrial, and automotives areas.

We are looking forward to setting up business relationship with you and hope to provide you with the best service and solution. Let us make a better world for our industry!



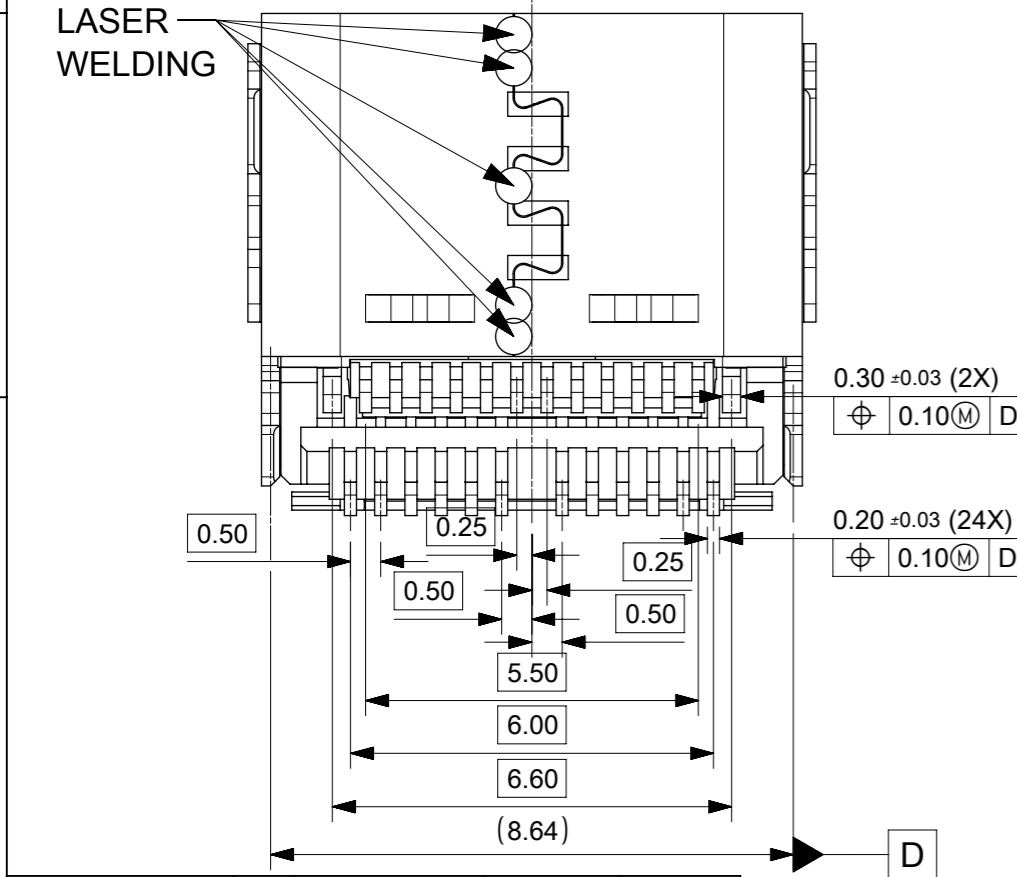
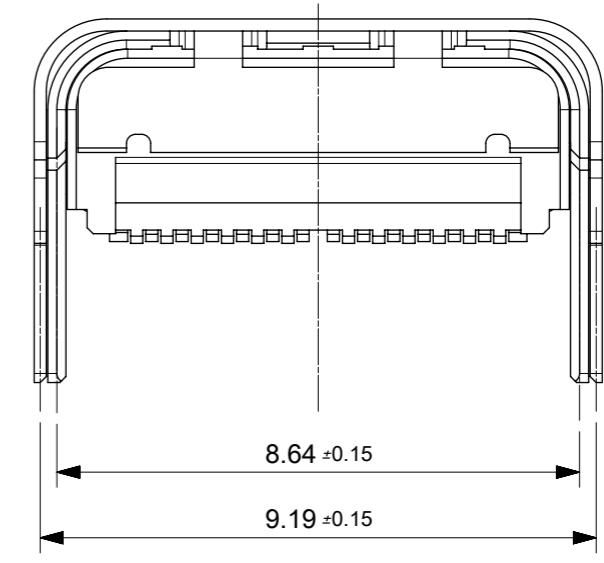
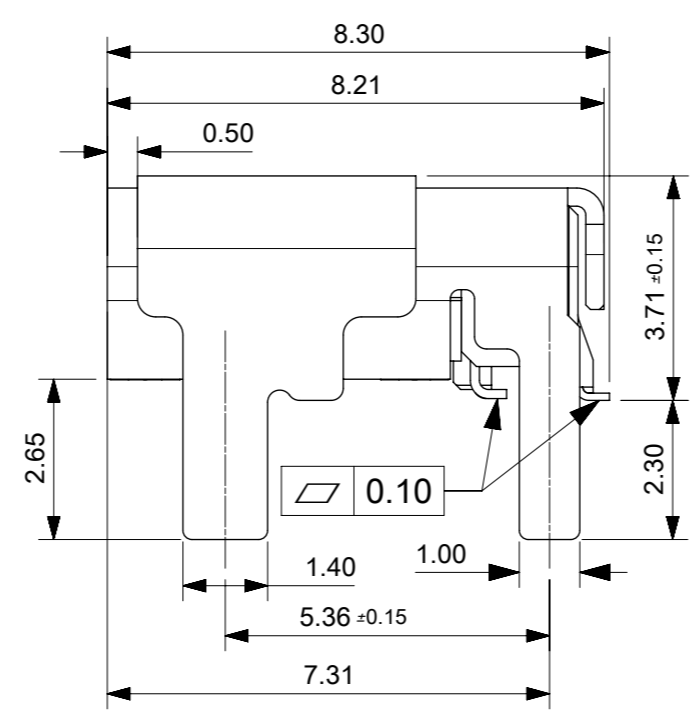
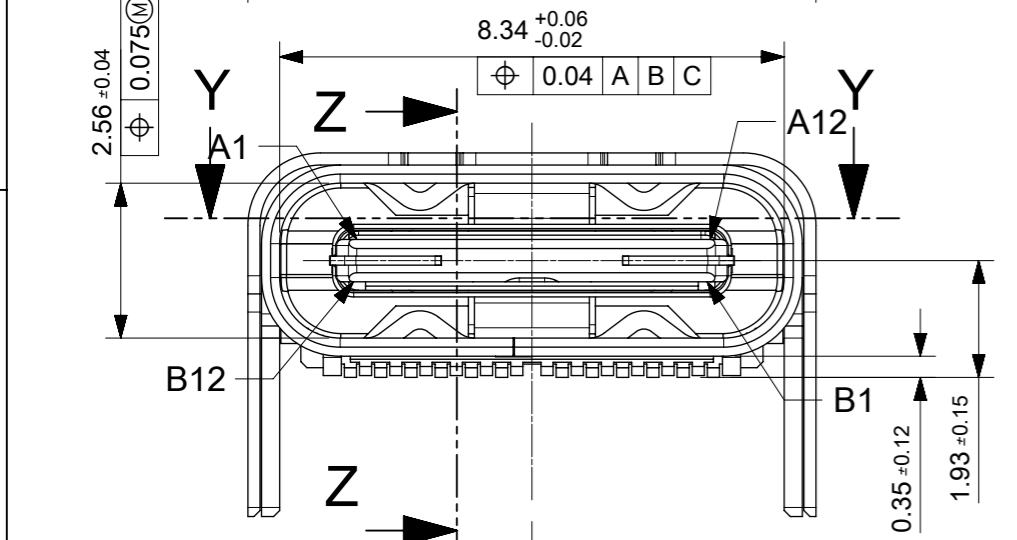
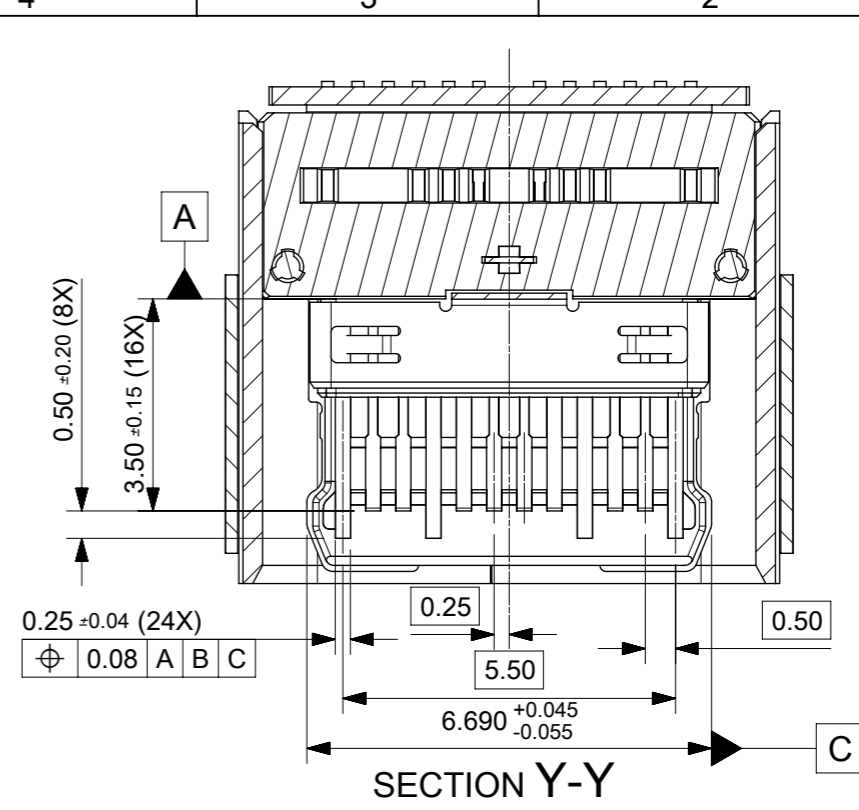
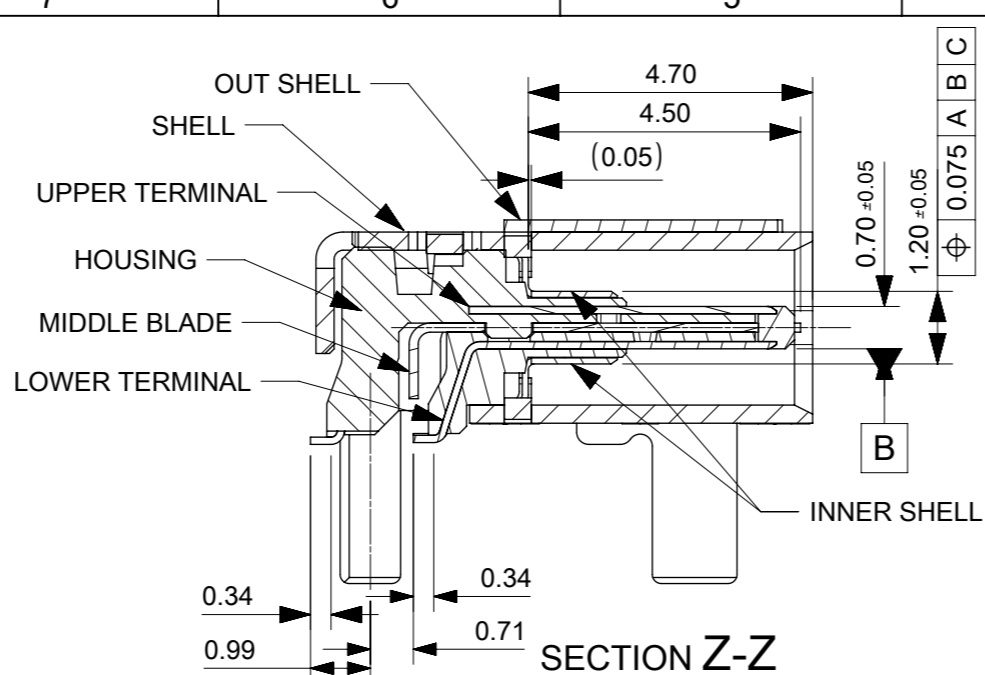
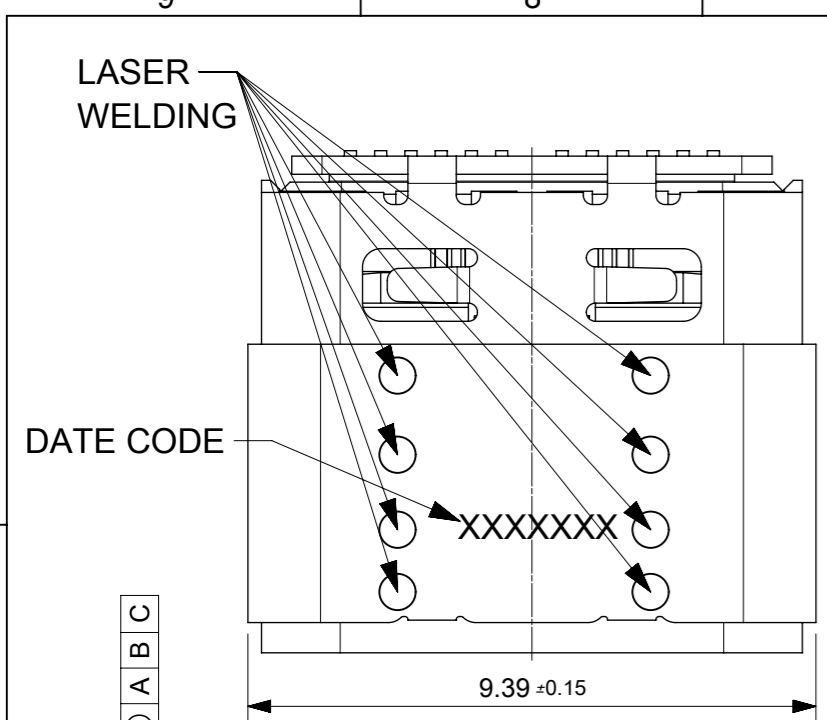
Contact us

Tel: +86-755-8981 8866 Fax: +86-755-8427 6832

Email & Skype: info@chipsmall.com Web: www.chipsmall.com

Address: A1208, Overseas Decoration Building, #122 Zhenhua RD., Futian, Shenzhen, China

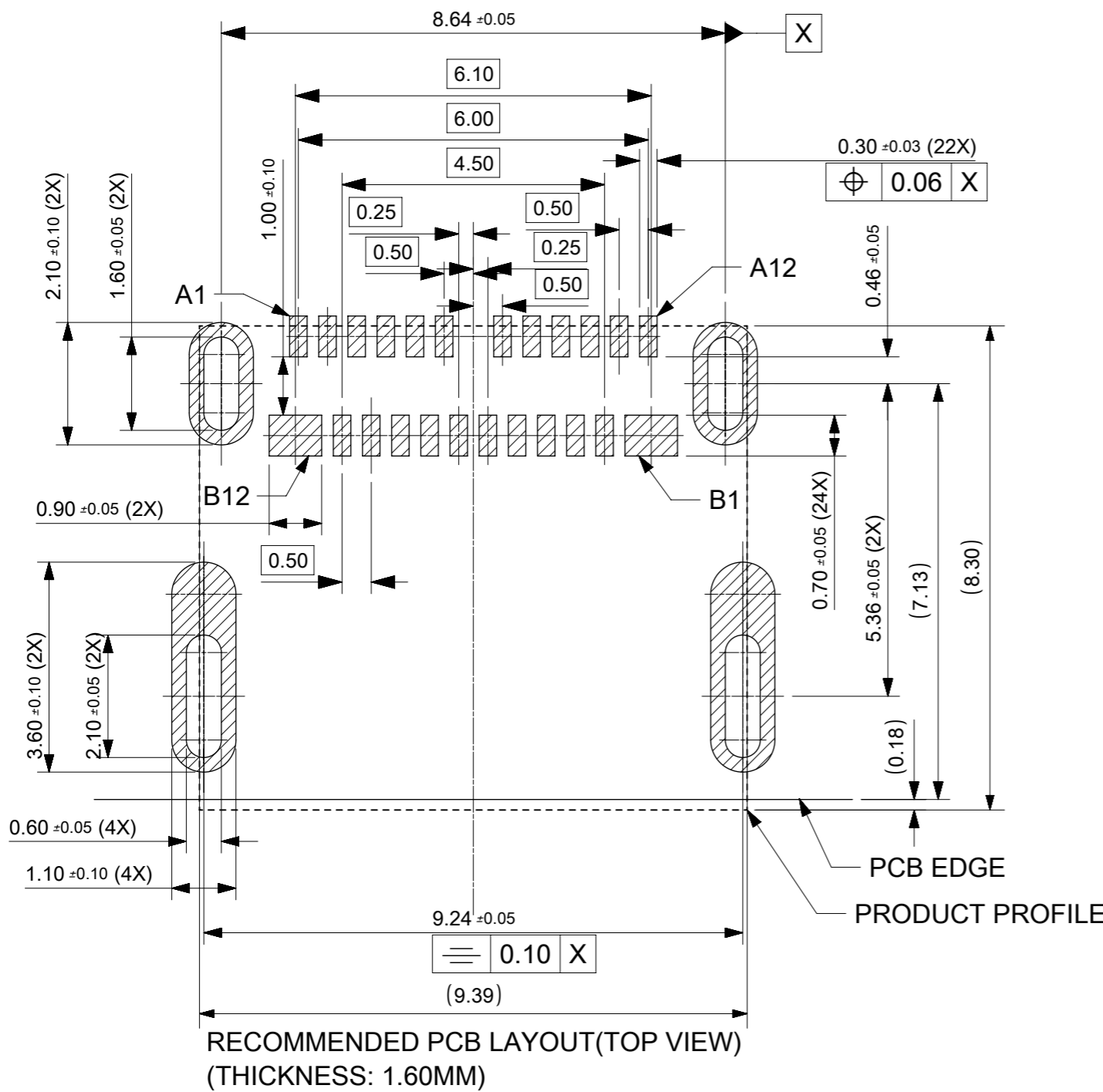




PART NO.	PLATING DESCRIPTION
2012670005	SEE NOTES 2(1) FOR CONTACT AREA
2012670105	SEE NOTES 2(2) FOR CONTACT AREA

THIS DRAWING CONTAINS INFORMATION THAT IS PROPRIETARY TO MOLEX ELECTRONIC TECHNOLOGIES, LLC AND SHOULD NOT BE USED WITHOUT WRITTEN PERMISSION

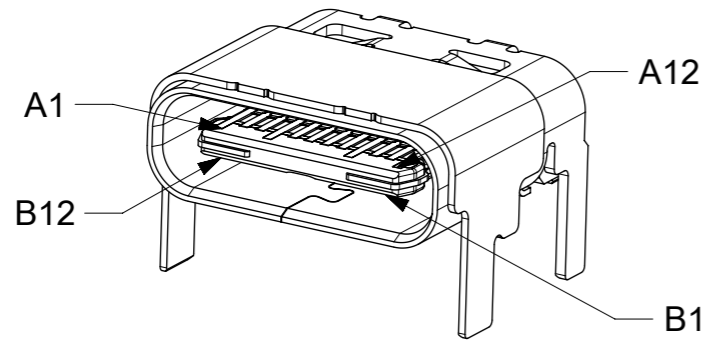
RELEASED	2017/02/08	GENERAL TOLERANCES (UNLESS SPECIFIED)	DIMENSION UNITS	SCALE	molex [®]				
	2017/03/09		MM	8:1					
	EC NO: 113145		DRWN: FYANG05	DRWN BY		DATE	USB C, RECEPTACLE, TOP MOUNT		
	CHK'D: RZHANG		APPR BY	DATE					
REV	APPR	DATE	APPR BY	DATE	PRODUCT CUSTOMER DRAWING				
B	RZHANG	2017/01/03	RZHANG	2017/01/03	SERIES	MATERIAL NUMBER	CUSTOMER		
			DRAFT WHERE APPLICABLE MUST REMAIN WITHIN DIMENSIONS	DRAWING SIZE	THIRD ANGLE PROJECTION	201267	SEE SHEET 1		
				A3		DOCUMENT NUMBER	DOC TYPE	DOC PART	SHEET NUMBER
						2012670005	PSD	000	1 OF 2



- NOTES:
- MATERIAL,
HOUSING: NYLON WITH GLASS FILLED, BLACK, UL94V-0.
TERMINALS: COPPER ALLOY
SHELL: STAINLESS STEEL;
OUTTER SHELL: STAINLESS STEEL;
INNER SHELL: STAINLESS STEEL;
MIDDLE BLADE: STAINLESS STEEL;
 - PLATING:
TERMINAL: CONTACT AREA:
(1) 0.76 MICROMETER MIN. GOLD PLATING
(2) GOLD FLASH OVER 0.76 MICROMETER NIN PALLADIUM/NICKEL PLATING
SOLDER TAIL: 0.05 MICROMETER MIN. GOLD PLATING
UNDER PLATING: 2 MICROMETER MIN. NICKEL PLATING OVERALL
SHELL: 1 MICROMETR MIN. SOLDERABLE NICKEL PLATING OVERALL
INNER SHELL: CLEANING
MIDDLE BLADE: 2 MICROMETER MIN. TIN PLATING OVER THE SOLDER TAIL
AND 1 MICROMETER NICKEL PLATING OVERALL
 - PRODUCT SPEC REFER TO PS-201267-001.
 - PACKAGE SPEC REFER TO 201267005PDDPK1
 - COPLANARITY OF SMT PINS SOLDER TAIL IS 0.10 MAX. BEFORE AND AFTER REFLOW
 - T/H SOLDER TAIL POSITION BE CONTROLLED BY GAUGE
 - LASER WELDING POINT FOR REFERENCE
 - PRODUCT COMPLIANT TO ROHS DIERTIVE 2011/65/EU AND ELV DIRECTIVE 2000/53/EC
 - DATE CODE: XX XX XX XX
YEAR MONTH DATE HOUR

PIN ASSIGNMENT FOR DIRECT CONNECT APPLICATIONS

A1	A2	A3	A4	A5	A6	A7	A8	A9	A10	A11	A12
GND	TX1+	TX1-	VBUS	CC1	D+	D-	SUB1	VBUS	RX2-	RX2+	GND
GND	RX1+	RX1-	VBUS	SBU2	D-	D+	CC2	VBUS	TX2-	TX2+	GND
B12	B11	B10	B9	B8	B7	B6	B5	B4	B3	B2	B1



THIS DRAWING CONTAINS INFORMATION THAT IS PROPRIETARY TO MOLEX ELECTRONIC TECHNOLOGIES, LLC AND SHOULD NOT BE USED WITHOUT WRITTEN PERMISSION

RELEASED EC NO: 113145 DRWN: FYANG05 CHK'D: REV APPR: RZHANG	2017/02/08	2017/03/09	GENERAL TOLERANCES (UNLESS SPECIFIED)	DIMENSION UNITS	SCALE	
			ANGULAR TOL ± 3.0 °	MM	10:1	
	4 PLACES ±		2 PLACES ± 0.25	DRWN BY	DATE	
	3 PLACES ±		1 PLACE ± 0.25	FYANG05	2016/12/20	
		0 PLACES ±	CHK'D BY	DATE		
			APPR BY	DATE		
			RZHANG	2017/01/03		
			DRAFT WHERE APPLICABLE MUST REMAIN WITHIN DIMENSIONS	DRAWING SIZE	THIRD ANGLE PROJECTION	PRODUCT CUSTOMER DRAWING SERIES: 201267 MATERIAL NUMBER: SEE SHEET 1 CUSTOMER:
				A3		DOCUMENT NUMBER: 2012670005 DOC TYPE: PSD DOC PART: 000 SHEET NUMBER: 2 OF 2