



Chipsmall Limited consists of a professional team with an average of over 10 year of expertise in the distribution of electronic components. Based in Hongkong, we have already established firm and mutual-benefit business relationships with customers from,Europe,America and south Asia,supplying obsolete and hard-to-find components to meet their specific needs.

With the principle of “Quality Parts,Customers Priority,Honest Operation,and Considerate Service”,our business mainly focus on the distribution of electronic components. Line cards we deal with include Microchip,ALPS,ROHM,Xilinx,Pulse,ON,Everlight and Freescale. Main products comprise IC,Modules,Potentiometer,IC Socket,Relay,Connector.Our parts cover such applications as commercial,industrial, and automotives areas.

We are looking forward to setting up business relationship with you and hope to provide you with the best service and solution. Let us make a better world for our industry!



Contact us

Tel: +86-755-8981 8866 Fax: +86-755-8427 6832

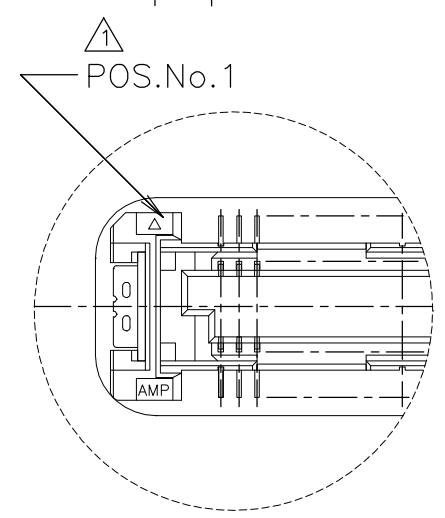
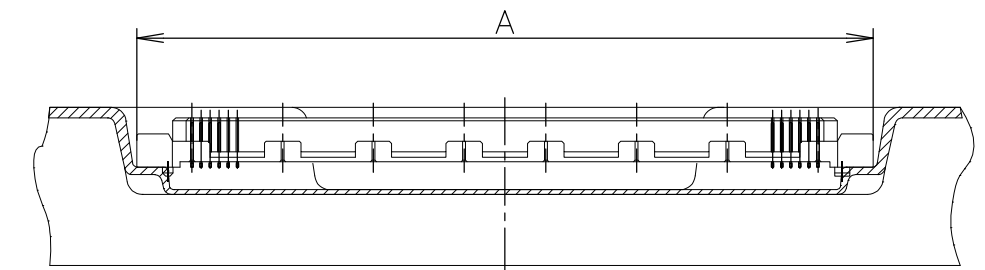
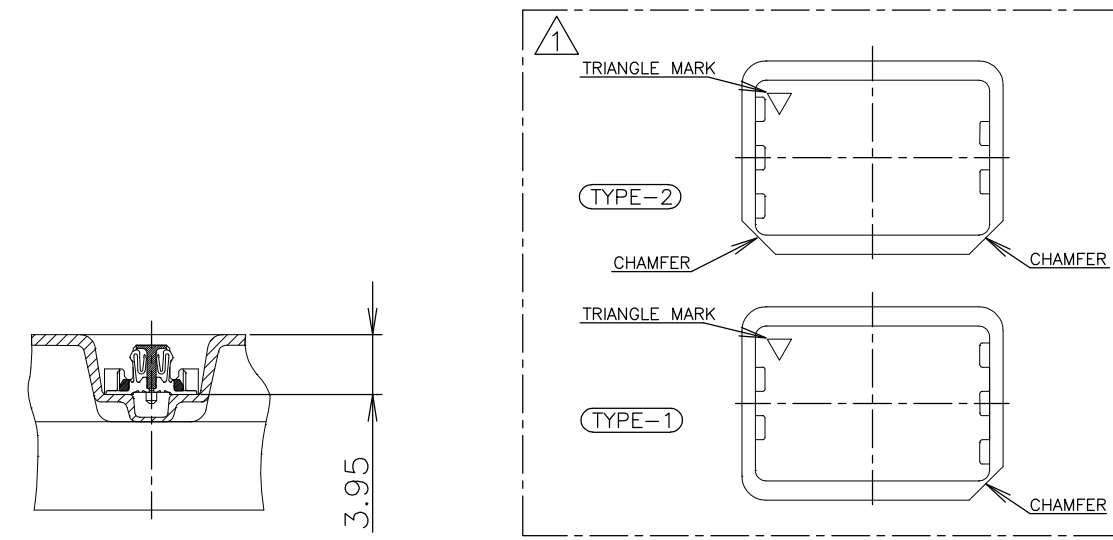
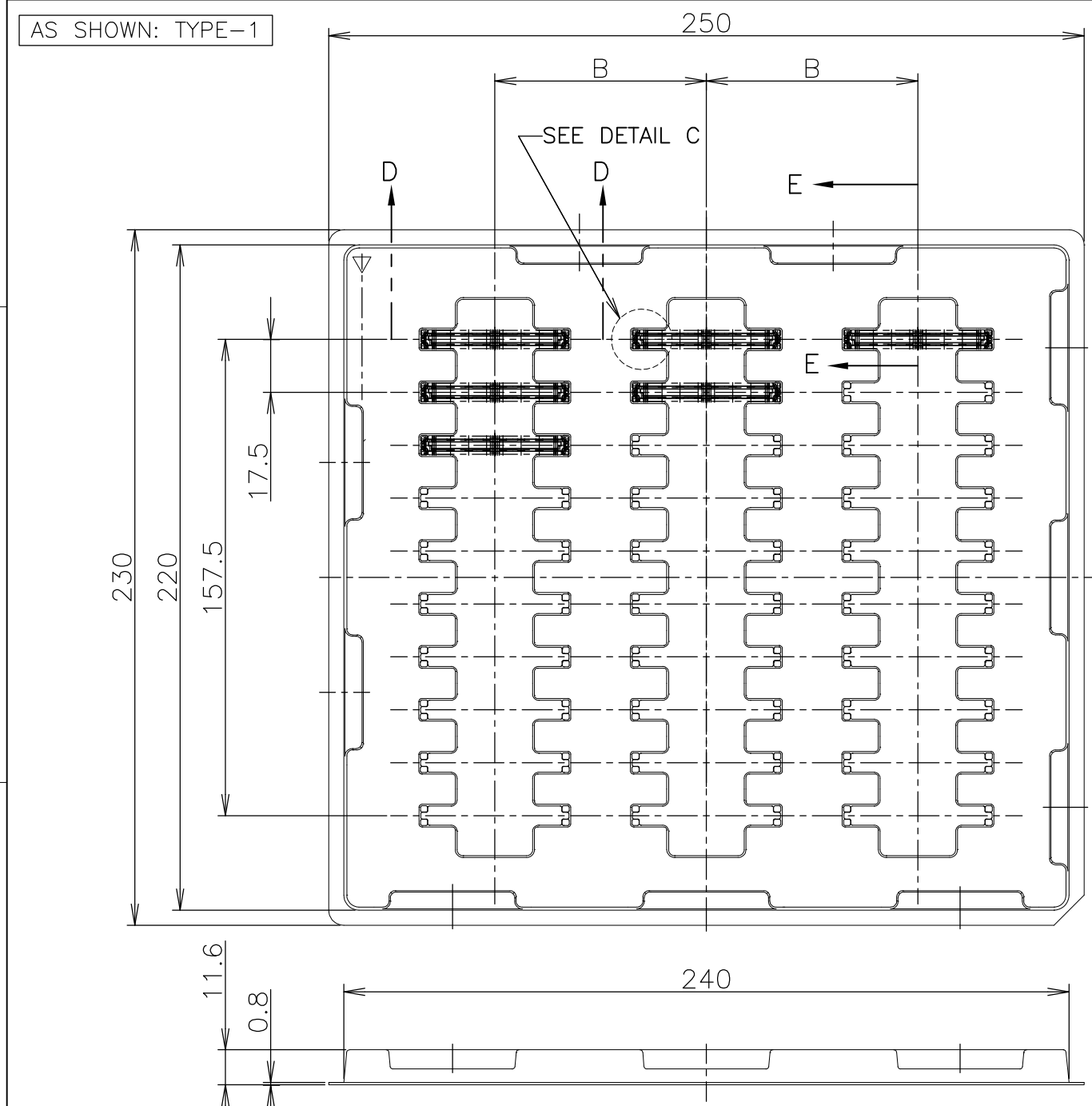
Email & Skype: info@chipsmall.com Web: www.chipsmall.com

Address: A1208, Overseas Decoration Building, #122 Zhenhua RD., Futian, Shenzhen, China



THIS DRAWING IS UNPUBLISHED. RELEASED FOR PUBLICATION MAY, 1995.
 © COPYRIGHT 1995 BY TYCO ELECTRONICS CORPORATION. ALL RIGHTS RESERVED.

LOC		DIST		REVISIONS		
P	LTR	DESCRIPTION	DATE	DWN	APVD	
J		B	REVISED	11JUN07	Y.S	Y.N



▲ TRAY TYPE-1 AND TYPE-2 MUST BE
 PILED UP BY TURNS.
 (REFER TO PACKING SPECIFICATIONS)

5	50	43	21.7	50	2013012-3
ROW	QTY	B	A	POS.	PART NO.

THIS DRAWING IS A CONTROLLED DOCUMENT.		DWN	Y.SHINO	8MAY07	Tyco Electronics AMP K.K. Kawasaki.Japan	
DIMENSIONS: MM		CHK	Y.NAKAZAWA	8MAY07		
TOLERANCES UNLESS OTHERWISE SPECIFIED:		APVD	T.FUTATSUGI	8MAY07	NAME	
0 PLC ± -		PRODUCT SPEC		TRAY ASSY		
1 PLC ± -		108-60047		FH 0.6BTB CONNECTOR		
2 PLC ± -		APPLICATION SPEC		REC 4H Au PLATED 0.00076MM		
3 PLC ± -		114-5255		SIZE	CAGE CODE	DRAWING NO
4 PLC ± -		WEIGHT		A3	00779	C-2013012
ANGLES ± -		CUSTOMER DRAWING		RESTRICTED TO		
FINISH ± -		SCALE		1:2	SHEET 1 OF 2	
GENERAL TOLERANCE		SCALE		1:2	REV B	
10 ≥ * : ± 0.2		SHEET		1	OF 2	
30 ≥ * > 10 : ± 0.25		REV		B		
100 ≥ * > 30 : ± 0.3						
ANGLES : ± 3°						

4

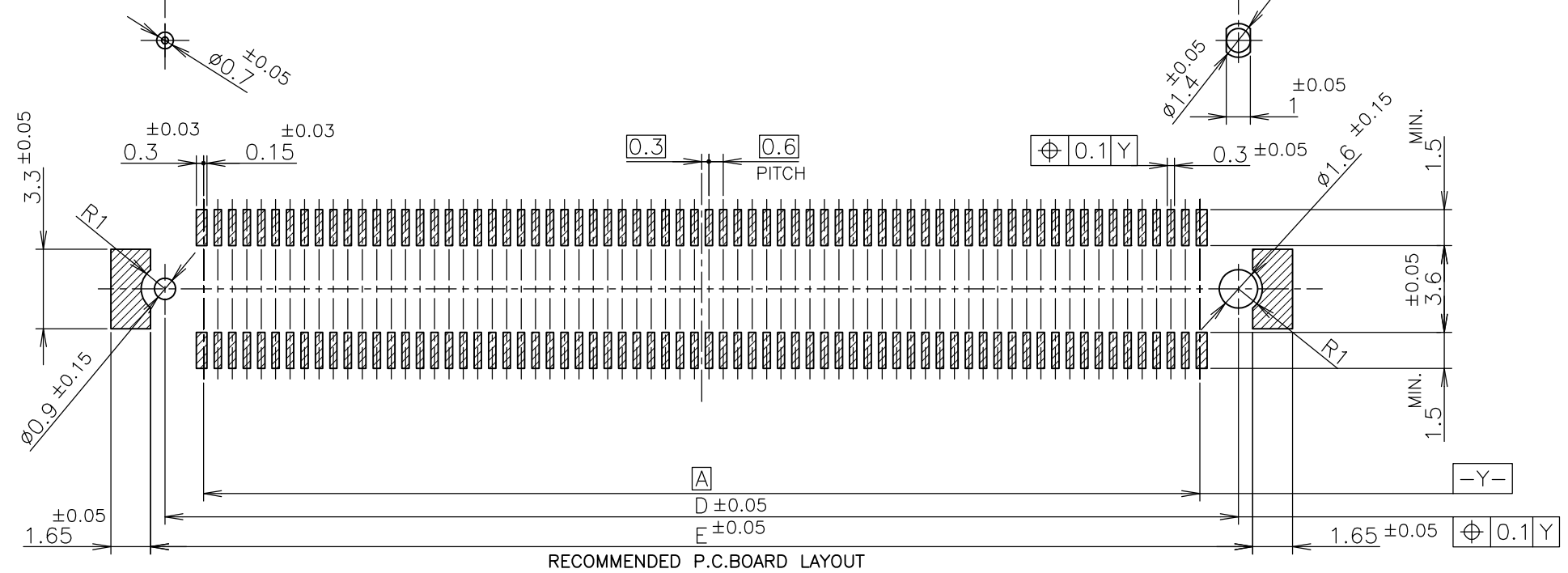
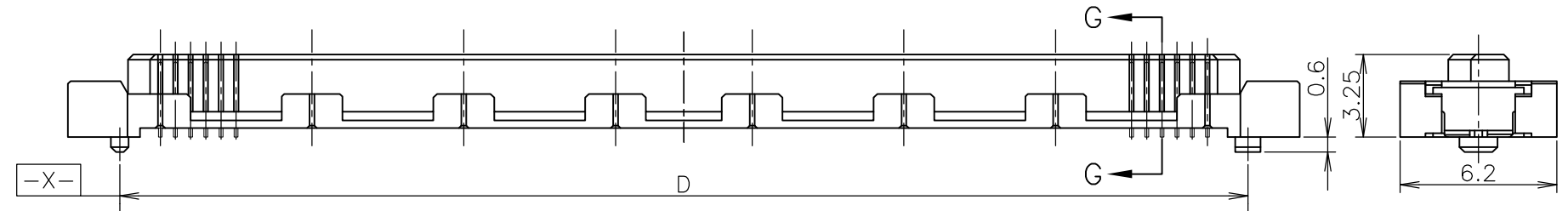
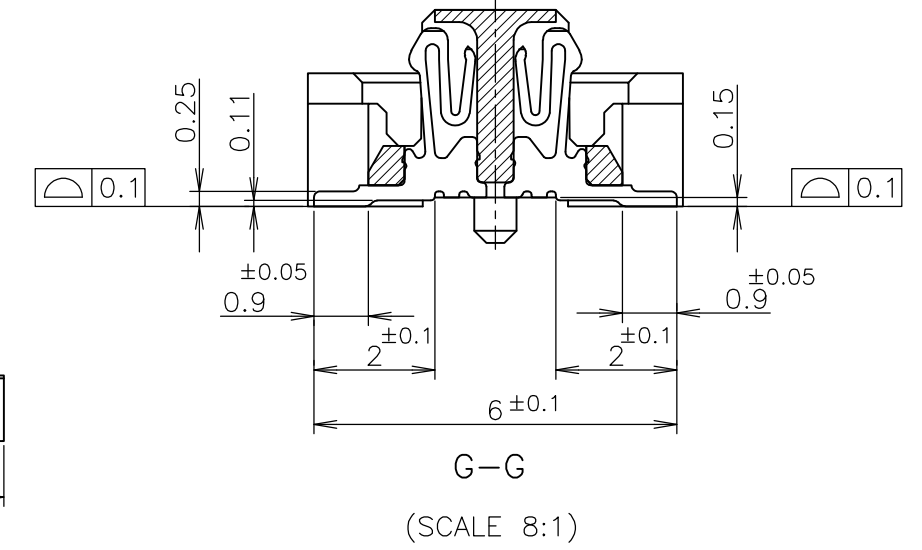
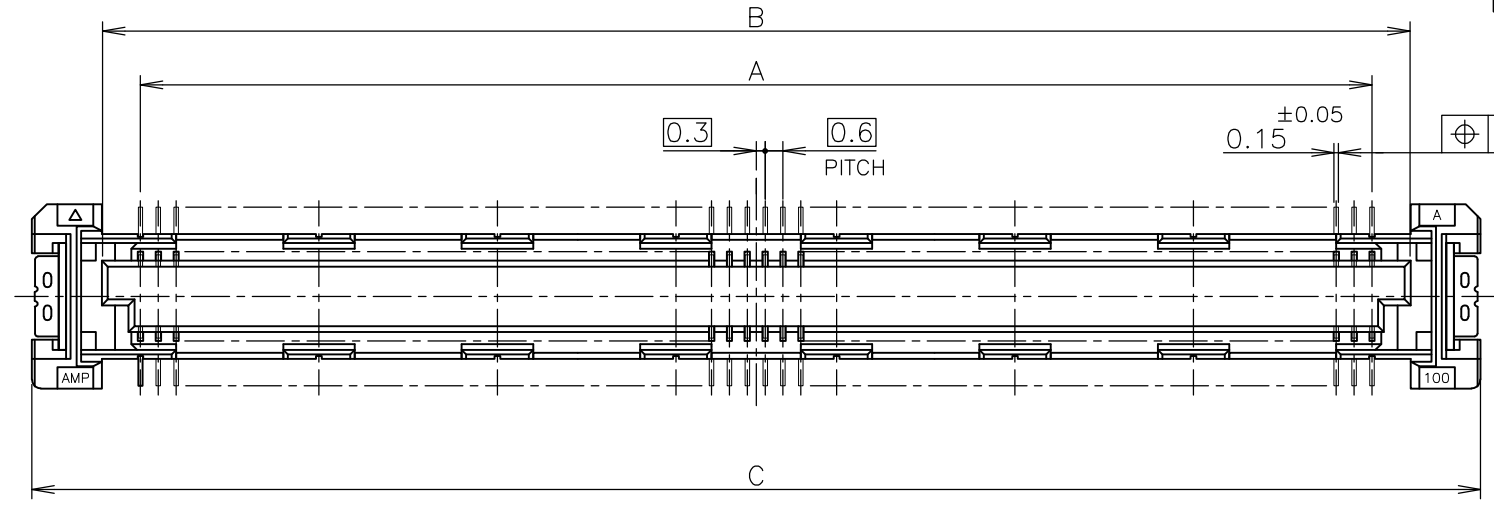
3

2

1

THIS DRAWING IS UNPUBLISHED. RELEASED FOR PUBLICATION MAY, 1995.
 © COPYRIGHT 1995 BY TYCO ELECTRONICS CORPORATION. ALL RIGHTS RESERVED.

LOC	DIST	REVISIONS					
J		P	LTR	DESCRIPTION	DATE	DWN	APVD
		-	-	SEE SHEET 1	-	-	-



RECOMMENDED P.C.BOARD LAYOUT

- ② MATERIAL ; HOUSING : HIGH TEMP THERMO PLASTIC
UL94V-0
- CONTACT : COPPER ALLOY
- SOLDER PEG : COPPER ALLOY
- ③ FINISH ; CONTACT
- UNDER PL Ni 0.0013mm MIN ALL OVER.
- CONTACT AREA: 0.00076 MIN Au PL.
- SOLDERING AREA: 0.00005 MIN Au PL.
- SOLDER PEG
- UNDER PL Ni 0.0005mm MIN ALL OVER.
- ALL OVER : 0.003mm MIN Sn-Pb PL.
- 4. SEE PACKING ASSY DWG AS FINAL ASSY PART NUMBER.

THIS DRAWING IS A CONTROLLED DOCUMENT.		DWN		Tyco Electronics		Tyco Electronics AMP K.K.													
DIMENSIONS: MM		TOLERANCES UNLESS OTHERWISE SPECIFIED:		NAME		Kawasaki.Japan													
<table border="1"> <tr><td>0 PLC</td><td>± 0.3</td></tr> <tr><td>1 PLC</td><td>± 0.3</td></tr> <tr><td>2 PLC</td><td>± 0.3</td></tr> <tr><td>3 PLC</td><td>± 0.3</td></tr> <tr><td>4 PLC</td><td>± 0.3</td></tr> <tr><td>ANGLES</td><td>± 3'</td></tr> </table>		0 PLC	± 0.3	1 PLC	± 0.3	2 PLC	± 0.3	3 PLC	± 0.3	4 PLC	± 0.3	ANGLES	± 3'	APVD		PRODUCT SPEC		TRAY ASSY	
0 PLC	± 0.3																		
1 PLC	± 0.3																		
2 PLC	± 0.3																		
3 PLC	± 0.3																		
4 PLC	± 0.3																		
ANGLES	± 3'																		
MATERIAL		FINISH		APPLICATION SPEC		FH 0.6BTB CONNECTOR													
②		③		SIZE		REC 4H Au PLATED 0.00076MM													
				CAGE CODE		DRAWING NO													
				A3 00779		G-2013012													
				WEIGHT		RESTRICTED TO													
				CUSTOMER DRAWING		SCALE 4:1 SHEET 2 OF 2 REV B													