



Chipsmall Limited consists of a professional team with an average of over 10 year of expertise in the distribution of electronic components. Based in Hongkong, we have already established firm and mutual-benefit business relationships with customers from,Europe,America and south Asia,supplying obsolete and hard-to-find components to meet their specific needs.

With the principle of “Quality Parts,Customers Priority,Honest Operation,and Considerate Service”,our business mainly focus on the distribution of electronic components. Line cards we deal with include Microchip,ALPS,ROHM,Xilinx,Pulse,ON,Everlight and Freescale. Main products comprise IC,Modules,Potentiometer,IC Socket,Relay,Connector.Our parts cover such applications as commercial,industrial, and automotives areas.

We are looking forward to setting up business relationship with you and hope to provide you with the best service and solution. Let us make a better world for our industry!



Contact us

Tel: +86-755-8981 8866 Fax: +86-755-8427 6832

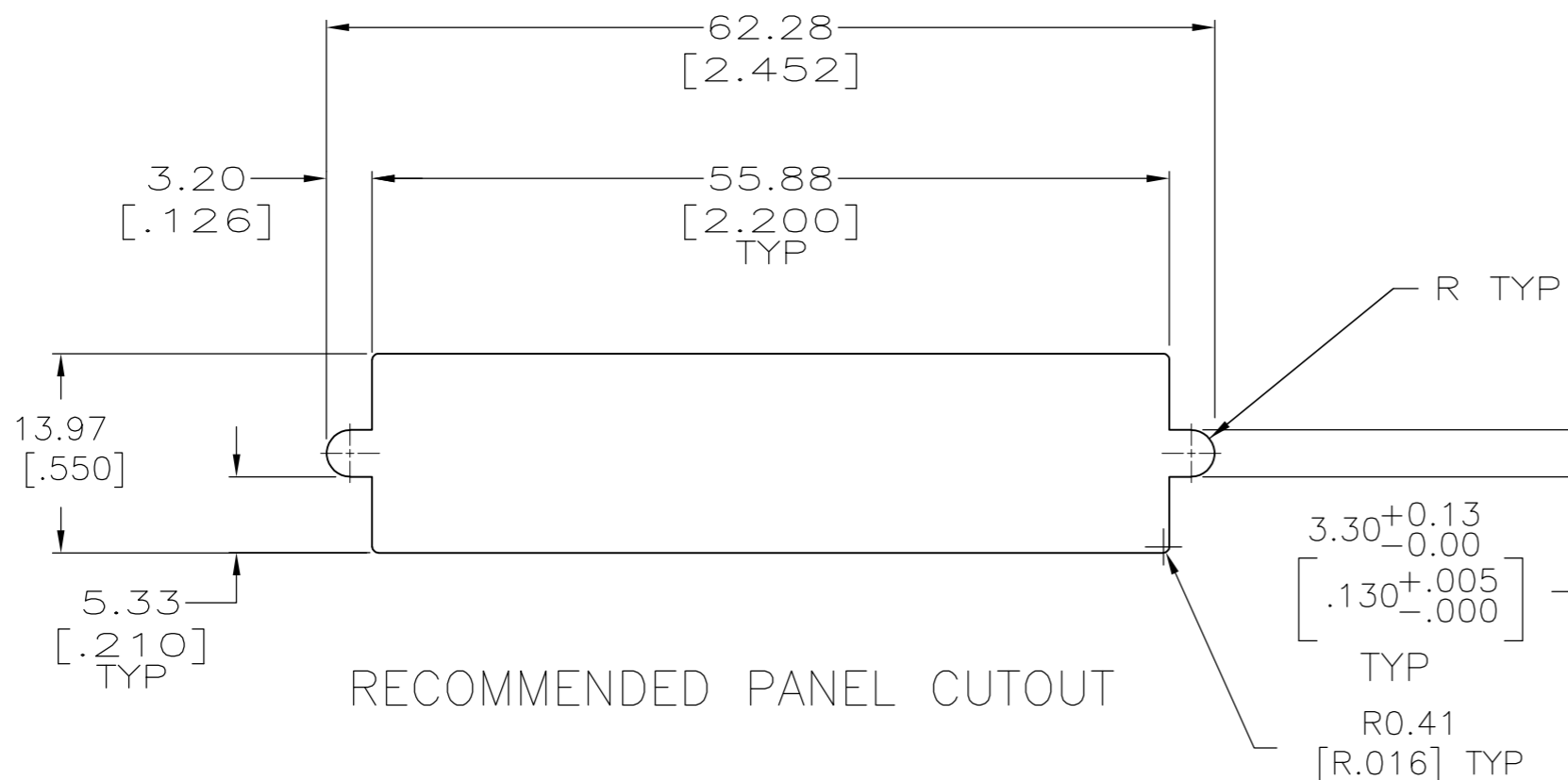
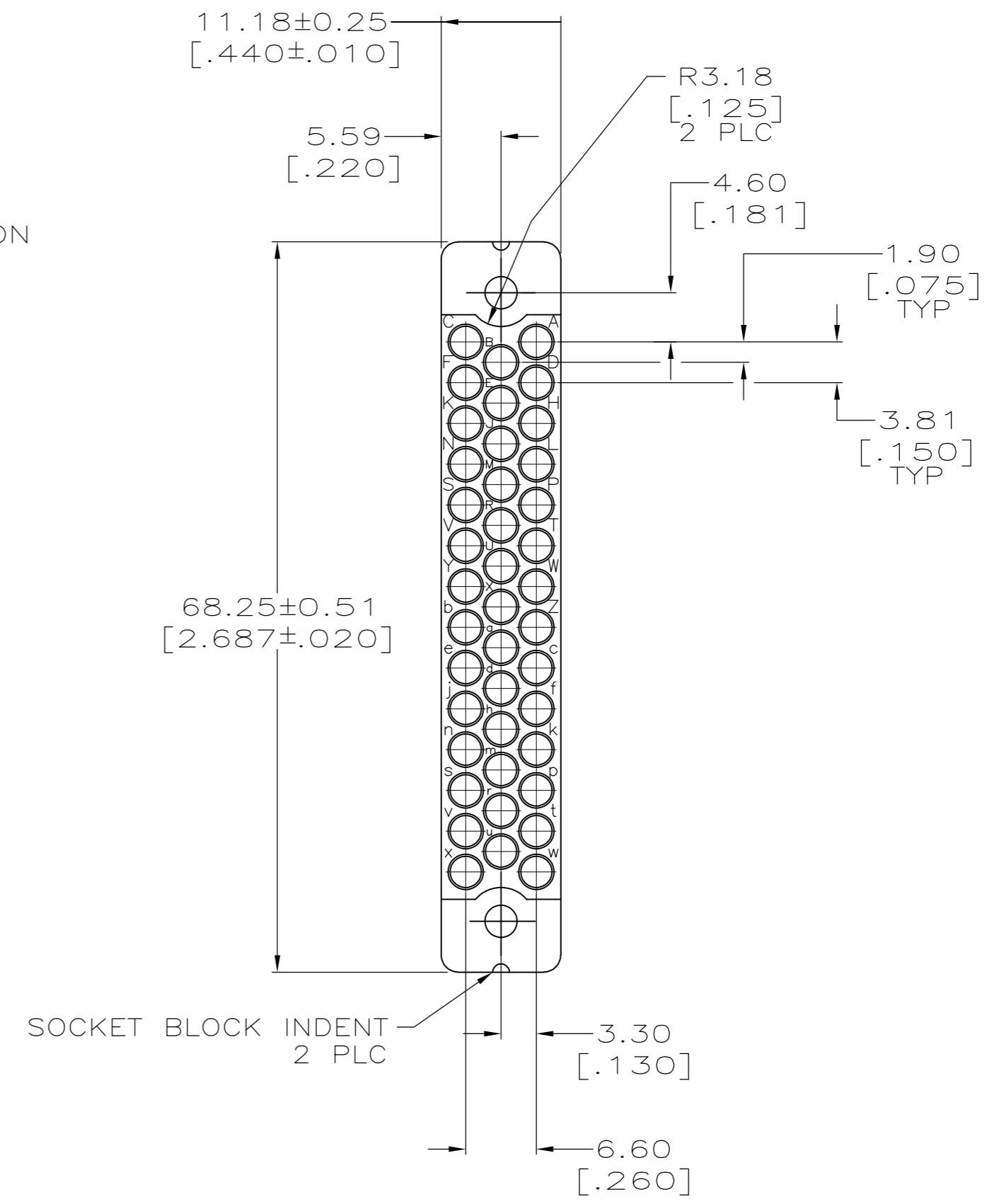
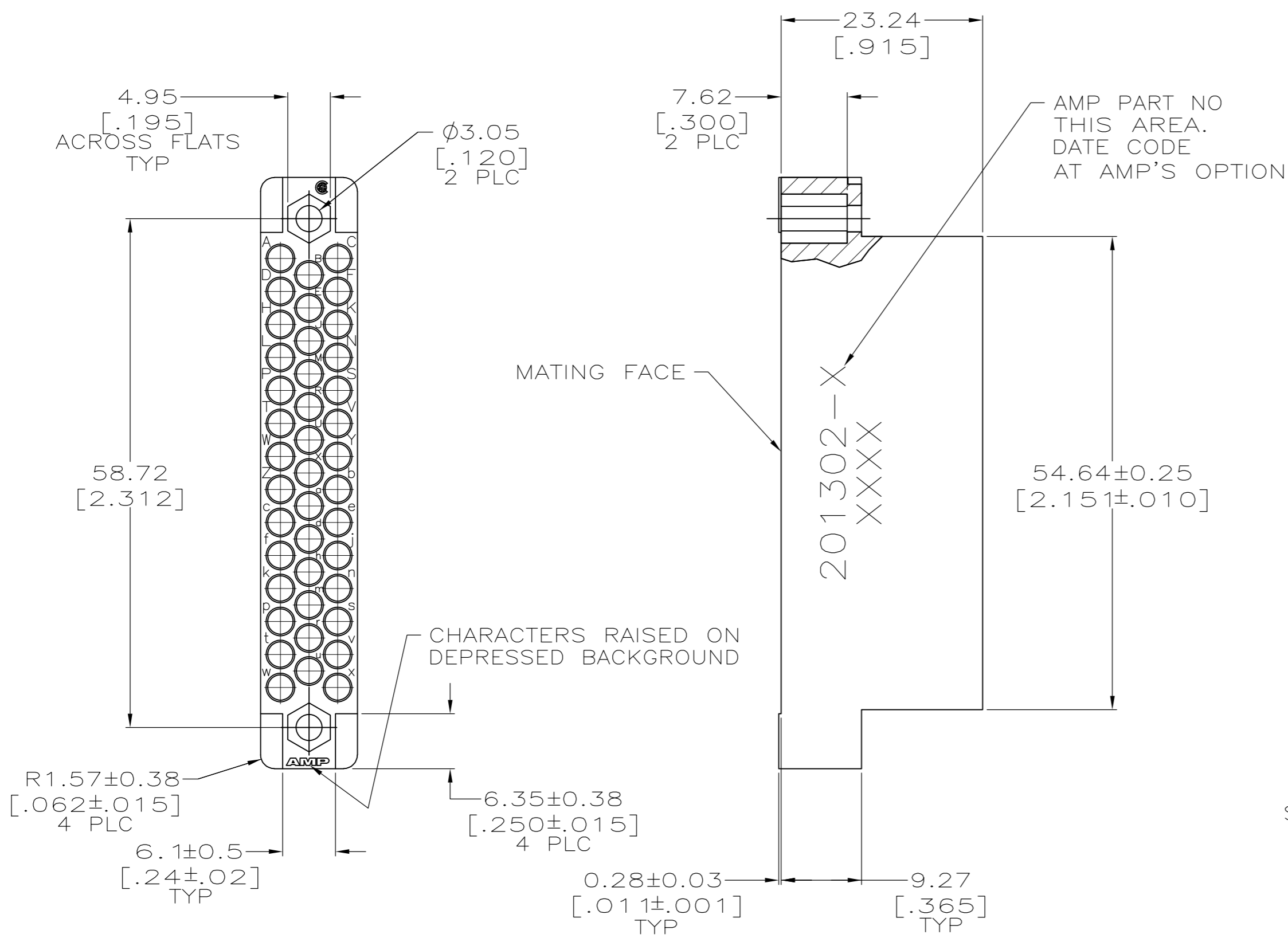
Email & Skype: info@chipsmall.com Web: www.chipsmall.com

Address: A1208, Overseas Decoration Building, #122 Zhenhua RD., Futian, Shenzhen, China



THIS DRAWING IS UNPUBLISHED. RELEASED FOR PUBLICATION
 © COPYRIGHT BY TYCO ELECTRONICS CORPORATION. ALL RIGHTS RESERVED.

LOC	DIST	REVISIONS					
FT	0	P	LTR	DESCRIPTION	DATE	DWN	APVD
		V		REVISED PER ECO-07-029096	12/12/07	SS	GS
		V1		REVISED PER ECO-09-020935	09SEP09	KK	AEG



- ① PHENOLIC, BLACK, PER MIL-M-14, TYPE CFG.
- ② DIALYL PHTHALATE, BLUE, PER MIL-M-14, TYPE SDG-F.
- 3. MATES WITH BLOCK 201302 OR 202135 AND ACCOMODATES TYPE II #16 OR #20, OR TYPE III+ OR TYPE VI #16 CONTACTS.
- ④ MARKING PERMANENCY PER MIL-STD-202, METHOD 215.
- ⑤ OBSOLETE PARTS: OBSOLETE CIS STREAMLINING PER D.RENAUD/D.SINISI

REV	DESCRIPTION	DATE	BY	CHK
⑤	OBSOLETE			
④		201302-7		
②		201302-3		
①		201302-1		

THIS DRAWING IS A CONTROLLED DOCUMENT.		DWN C.REIFSNYDER 22 FEB 96	Tyco Electronics Corporation Harrisburg, PA 17105-3608	
DIMENSIONS: mm [INCHES]		CHK R.STONE 29 FEB 96	NAME BLOCK, FEMALE, 41 PLACE, MINIATURE RECTANGULAR, M SERIES	
TOLERANCES UNLESS OTHERWISE SPECIFIED:		APVD G.A.STEINHAUER 20 MAR 96	SIZE A2	
0 PLC ± -		PRODUCT SPEC	CAGE CODE 00779	DRAWING NO C=201302
1 PLC ± -		APPLICATION SPEC	RESTRICTED TO	
2 PLC ± 0.13 [.005]		WEIGHT	SCALE 2:1	SHEET 1 of 1
3 PLC ± -		CUSTOMER DRAWING	REV V1	
4 PLC ± -				
ANGLES ± -				
FINISH				
SEE TABLE				