



Chipsmall Limited consists of a professional team with an average of over 10 year of expertise in the distribution of electronic components. Based in Hongkong, we have already established firm and mutual-benefit business relationships with customers from,Europe,America and south Asia,supplying obsolete and hard-to-find components to meet their specific needs.

With the principle of "Quality Parts,Customers Priority,Honest Operation,and Considerate Service",our business mainly focus on the distribution of electronic components. Line cards we deal with include Microchip,ALPS,ROHM,Xilinx,Pulse,ON,Everlight and Freescale. Main products comprise IC,Modules,Potentiometer,IC Socket,Relay,Connector.Our parts cover such applications as commercial,industrial, and automotives areas.

We are looking forward to setting up business relationship with you and hope to provide you with the best service and solution. Let us make a better world for our industry!



## Contact us

Tel: +86-755-8981 8866 Fax: +86-755-8427 6832

Email & Skype: info@chipsmall.com Web: www.chipsmall.com

Address: A1208, Overseas Decoration Building, #122 Zhenhua RD., Futian, Shenzhen, China

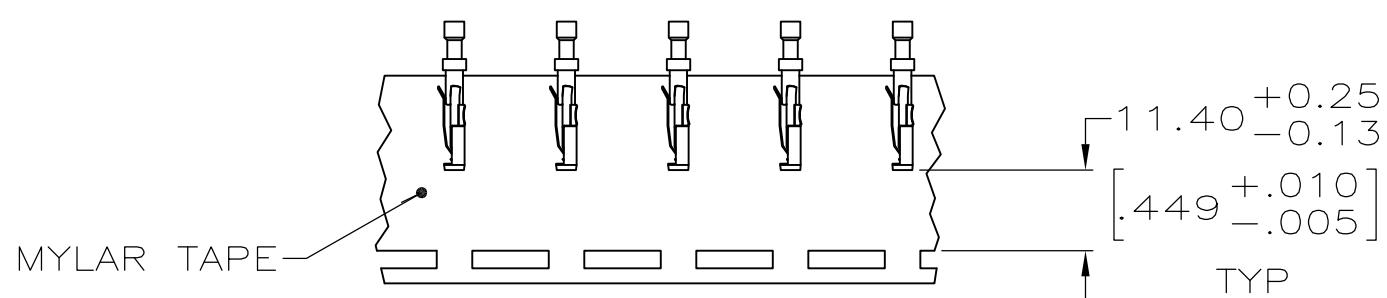
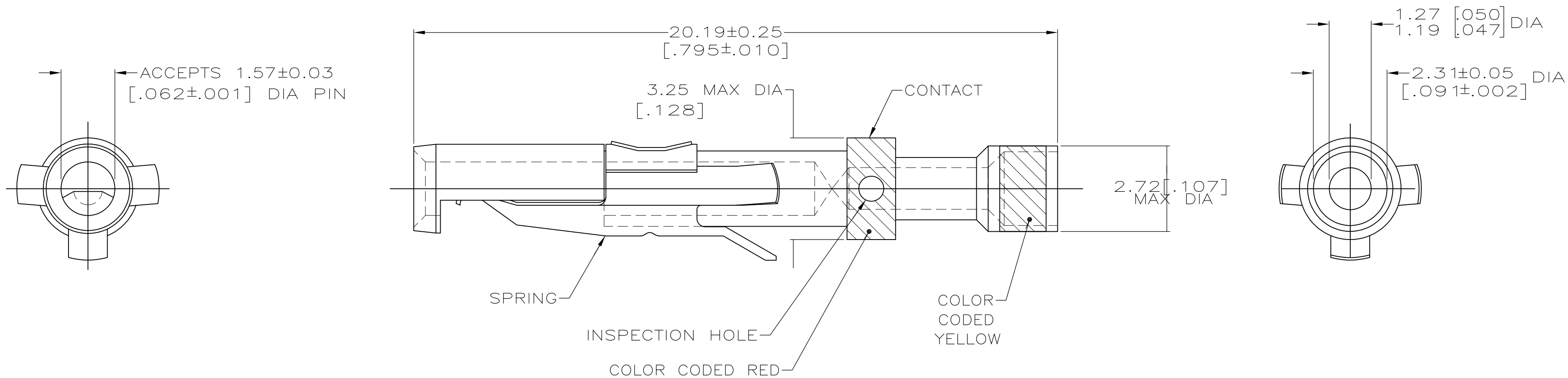


MOD	LOC	DIST	P	F	ZONE	LTR	DESCRIPTION	DATE	APPD
4	BD	39				AE	REDRAWN, ADDED 1--4 PER NPR 3506	5-9-91	RW
						AF	ADDED 1--5 PER NPR 4680	04/02/93	RSK
						AF1	REVISED PER ECO-09-020935	09SEP09	AEG

WHEN ORDERING CONTACT ASSEMBLY ON TAPE, ORDER BY THE TAPE NUMBER PLUS THE PACKAGING CODE AS FOLLOWS:

1. FOR USE WITH AMP TAPETRONIC, PNEUMATIC TOOL—
  - A. 1000 PARTS TO A BOX ADD PACKAGING CODE: 1MBOX
2. FOR USE WITH 4/8 INDENT STRIPPER CRIMPER—
  - A. 1000 PARTS TO A REEL ADD PACKAGING CODE: 1MREEL
  - B. 5000 PARTS TO A REEL ADD PACKAGING CODE: 5MREEL

3 OBSOLETE PARTS: OBSOLETE CIS STREAMLINING PER D.RENAUD/D.SINISI



TAPE MTG DETAIL  
SCALE 1:1

3 OBSOLETE	SMALL PACK KIT	1-201328-5 1-201328-4
	TAPE MTG SEE DETAIL	201328-9
	BULK	201328-1
	PACKAGING	PART NO

DO NOT SCALE PRINT. UNLESS SPECIFIED DIMENSIONS IN mm [INCHES] TOLERANCES ON :	DR 5-9-91 W.G.LENKER	AMP Incorporated Harrisburg, PA 17105-3608	
2 PLC DEC ± -	CHK 5-14-91 R.STONE		
3 PLC DEC ± -	APPD 5-14-91 R.WALTER	NAME	
ANGLES ± -	APPD -	SOCKET CONTACT ASSEMBLY, TYPE II	
MATERIAL	PRODUCT SPEC	SIZE	
CONTACT: BRASS	-	CAGE CODE	DRAWING NO
SPRING: STAINLESS STEEL	APPLICATION SPEC	00779	201328
FINISH	WEIGHT	SCALE	SHEET
CONTACT: 0.76µm [.000030] MIN GOLD OVER 1.27µm [.000050] MIN NICKEL	-	10:1	1 OF 1