



Chipsmall Limited consists of a professional team with an average of over 10 year of expertise in the distribution of electronic components. Based in Hongkong, we have already established firm and mutual-benefit business relationships with customers from,Europe,America and south Asia,supplying obsolete and hard-to-find components to meet their specific needs.

With the principle of “Quality Parts,Customers Priority,Honest Operation,and Considerate Service”,our business mainly focus on the distribution of electronic components. Line cards we deal with include Microchip,ALPS,ROHM,Xilinx,Pulse,ON,Everlight and Freescale. Main products comprise IC,Modules,Potentiometer,IC Socket,Relay,Connector.Our parts cover such applications as commercial,industrial, and automotives areas.

We are looking forward to setting up business relationship with you and hope to provide you with the best service and solution. Let us make a better world for our industry!



Contact us

Tel: +86-755-8981 8866 Fax: +86-755-8427 6832

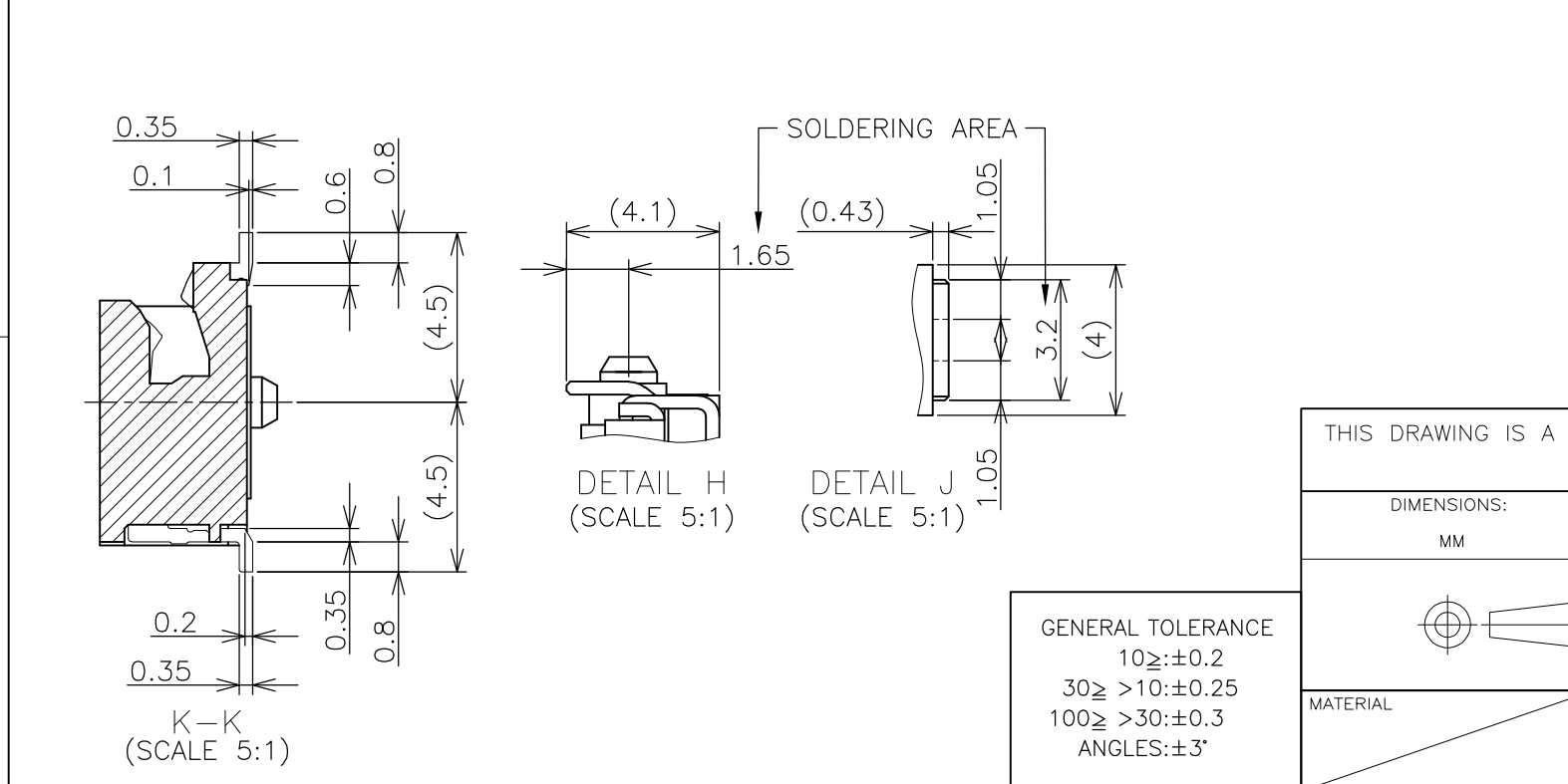
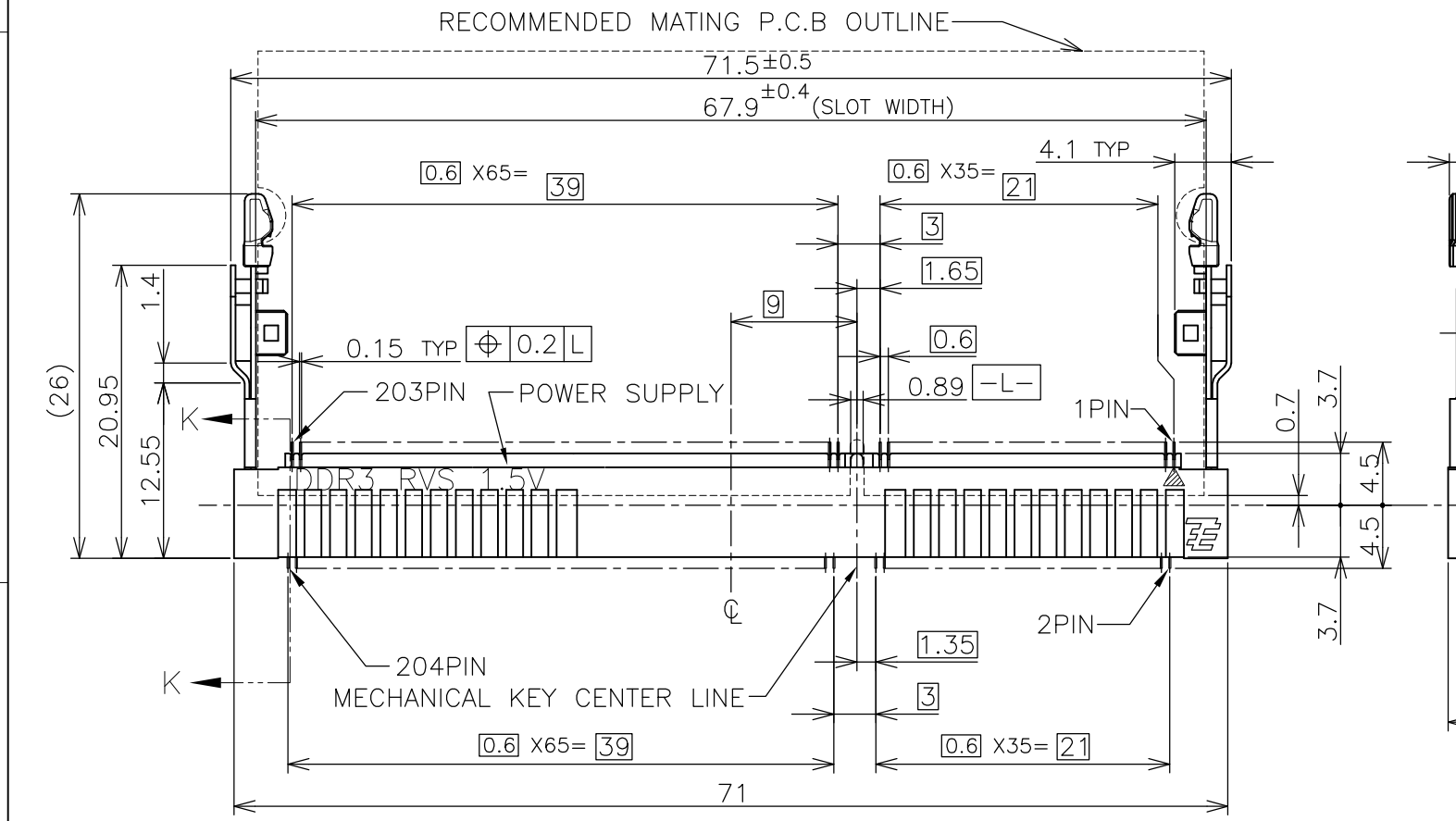
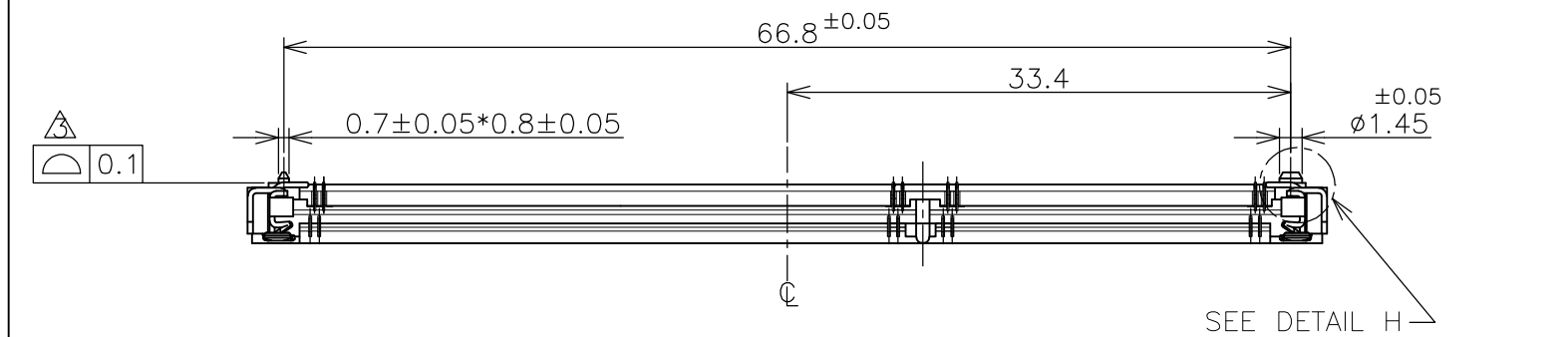
Email & Skype: info@chipsmall.com Web: www.chipsmall.com

Address: A1208, Overseas Decoration Building, #122 Zhenhua RD., Futian, Shenzhen, China



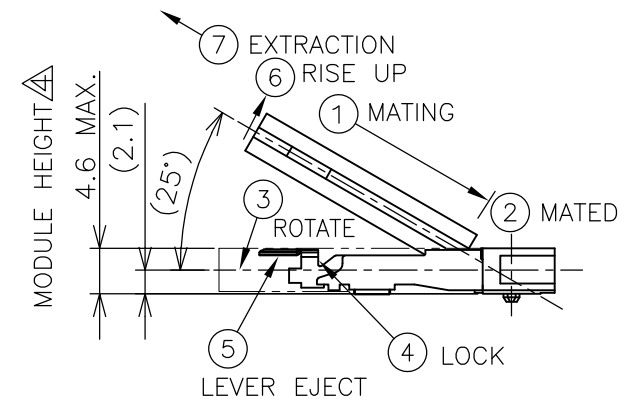
THIS DRAWING IS UNPUBLISHED. RELEASED FOR PUBLICATION SEP ,2007.
 © COPYRIGHT - By - ALL RIGHTS RESERVED.

LOC	DIST	REVISIONS			
P	LTR	DESCRIPTION	DATE	DWN	APVD
J	/				
	C	REVISED PER ECR-12-004002	01MAR2012	W.W	C.W



GENERAL TOLERANCE
 10 ≥ : ±0.2
 30 ≥ > 10 : ±0.25
 100 ≥ > 30 : ±0.3
 ANGLES : ±3°

HOW TO MATE AND UNMATE
 MATE: ① → ④
 UNMATE: ⑤ → ⑦



- (APPLIED TO SHEET 1-3)
- MATERIAL ; HOUSING: HIGH TEMPERATURE THERMO PLASTIC UL94V-0
 COLOR: BLACK
 CONTACT: COPPER ARROY
 LOCK LEVER: STAINLESS STEEL
 1. FINISH ; CONTACT AREA: GOLD FLASH
 ALL OVER NICKEL.
 SOLDERING AREA: GOLD FLASH PLATING
 LOCK LEVER: TIN PLATING
 2. FINISH ; CONTACT AREA: 0.000254MIN GOLD
 ALL OVER NICKEL.
 SOLDERING AREA: GOLD FLASH PLATING
 LOCK LEVER: TIN PLATING
 3. FINISH ; CONTACT AREA: 0.00076MIN GOLD
 ALL OVER NICKEL.
 SOLDERING AREA: GOLD FLASH PLATING
 LOCK LEVER: TIN PLATING
- △ COPLANARITY: 0.1 MAX. (BEFORE SOLDERING)
 △ THE FLOATING VALUE BY SOLDERING IS NOT INCLUDED.
 △ NOT MATING CONDITION.
6. IF THE MODULE DOESN'T INSERT AND LOCK IN THE LATCH SMOOTHLY,
 OPEN WIDE BOTH LATCHES BY MANUAL. AND THE MODULE MUST BE
 INSERTED AND LOCKED IN THE LATCH.

THIS DRAWING IS A CONTROLLED DOCUMENT.		DWN T.FUMIKURA 18SEP2007	STE TE Connectivity	
DIMENSIONS: MM		CHK K.IKEGAMI 18SEP2007		
TOLERANCES UNLESS OTHERWISE SPECIFIED:		APVD K.IKEGAMI 18SEP2007	NAME	
0 PLC ±		108-78493		
1 PLC ±		APPLICATION SPEC		
2 PLC ±		SIZE CAGE CODE DRAWING NO RESTRICTED TO		
3 PLC ±		A3 00779 C-2013287		
4 PLC ±		WEIGHT 3.6g		
ANGLES ±		SCALE 2:1 SHEET 1 OF 6 REV C		
FINISH		CUSTOMER DRAWING		

4

3

2

1

THIS DRAWING IS UNPUBLISHED.


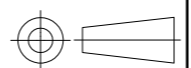
RELEASED FOR PUBLICATION SEP , 2007.

© COPYRIGHT - By -

ALL RIGHTS RESERVED.

LOC	DIST	REVISIONS					
J	/	P	LTR	DESCRIPTION	DATE	DWN	APVD
		-		SEE SHEET 1	-	-	-

AVAILABLE	ENBOSS (SEE SHEET 6)	WITH BOSS	BLACK	NOTE 2-3	1.5V	204	2-2013287-3
AVAILABLE	ENBOSS (SEE SHEET 6)	WITH BOSS	BLACK	NOTE 2-2	1.5V	204	2-2013287-2
AVAILABLE	ENBOSS (SEE SHEET 6)	WITH BOSS	BLACK	NOTE 2-1	1.5V	204	2-2013287-1
AVAILABLE	SEMI-HARD TRAY (SEE SHEET 5)	WITH BOSS	BLACK	NOTE 2-3	1.5V	204	2013287-3
AVAILABLE	SEMI-HARD TRAY (SEE SHEET 5)	WITH BOSS	BLACK	NOTE 2-2	1.5V	204	2013287-2
AVAILABLE	SEMI-HARD TRAY (SEE SHEET 5)	WITH BOSS	BLACK	NOTE 2-1	1.5V	204	2013287-1
TOOLING STATUS	PACKAGING TYPE	BOSS TYPE	HOUSING COLOR	FINISH	POWER SUPPLY	POS	PART NO.

THIS DRAWING IS A CONTROLLED DOCUMENT.		DWN	 TE Connectivity NAME DDR3 SODIMM SOCKET 0.6mm PITCH 204POS 4mm HEIGHT REVERSE TYPE				
DIMENSIONS: MM		CHK					
		APVD					
TOLERANCES UNLESS OTHERWISE SPECIFIED: 0 PLC ± 1 PLC ± 2 PLC ± 3 PLC ± 4 PLC ± ANGLES ±		PRODUCT SPEC					
MATERIAL		FINISH	APPLICATION SPEC	SIZE	CAGE CODE	DRAWING NO	RESTRICTED TO
			WEIGHT	A3	00779	C-2013287	-
CUSTOMER DRAWING			SCALE	SHEET	REV		
			FREE	2 OF 6	C		

THIS DRAWING IS UNPUBLISHED.

RELEASED FOR PUBLICATION SEP , 2007.

© COPYRIGHT - By -

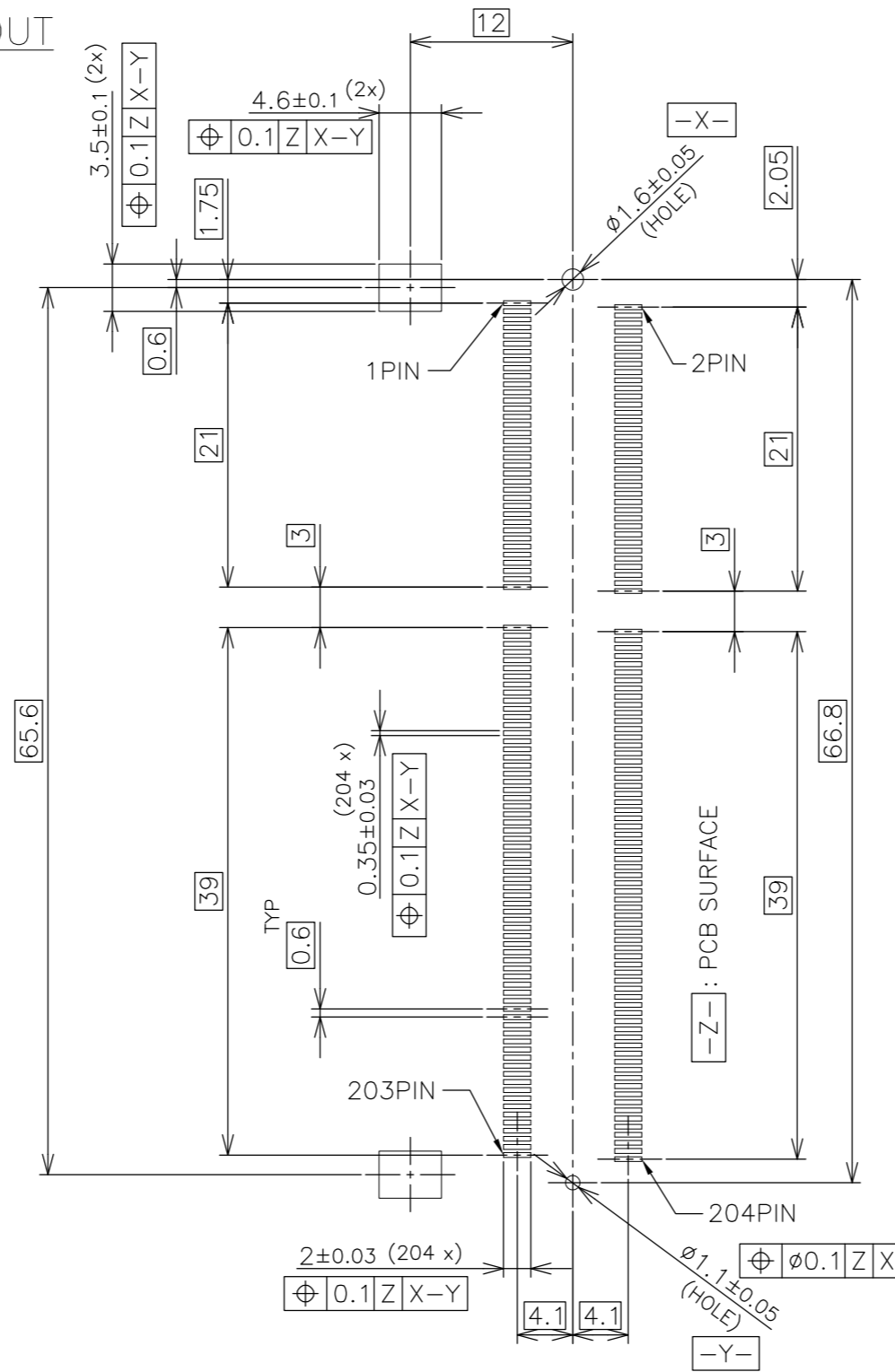
ALL RIGHTS RESERVED.

LOC J DIST

REVISIONS

P	LTR	DESCRIPTION	DATE	DWN	APVD
-	-	SEE SHEET 1	-	-	-

REFERENCE P.C.BOARD PATTERN LAYOUT (CONNECTOR MOUNTING SIDE)

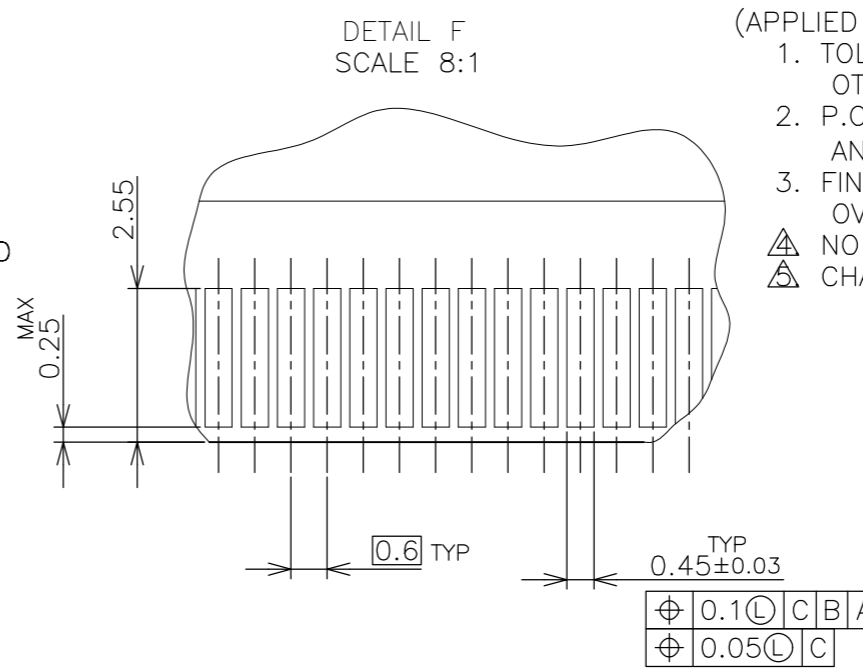
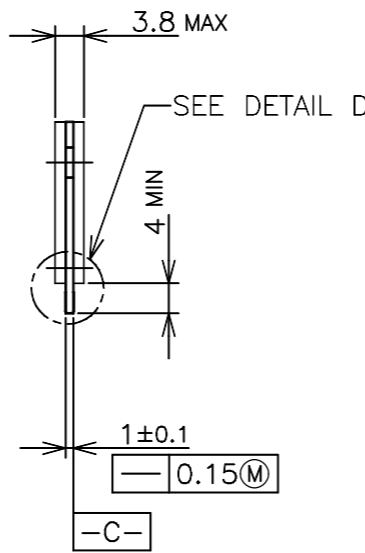
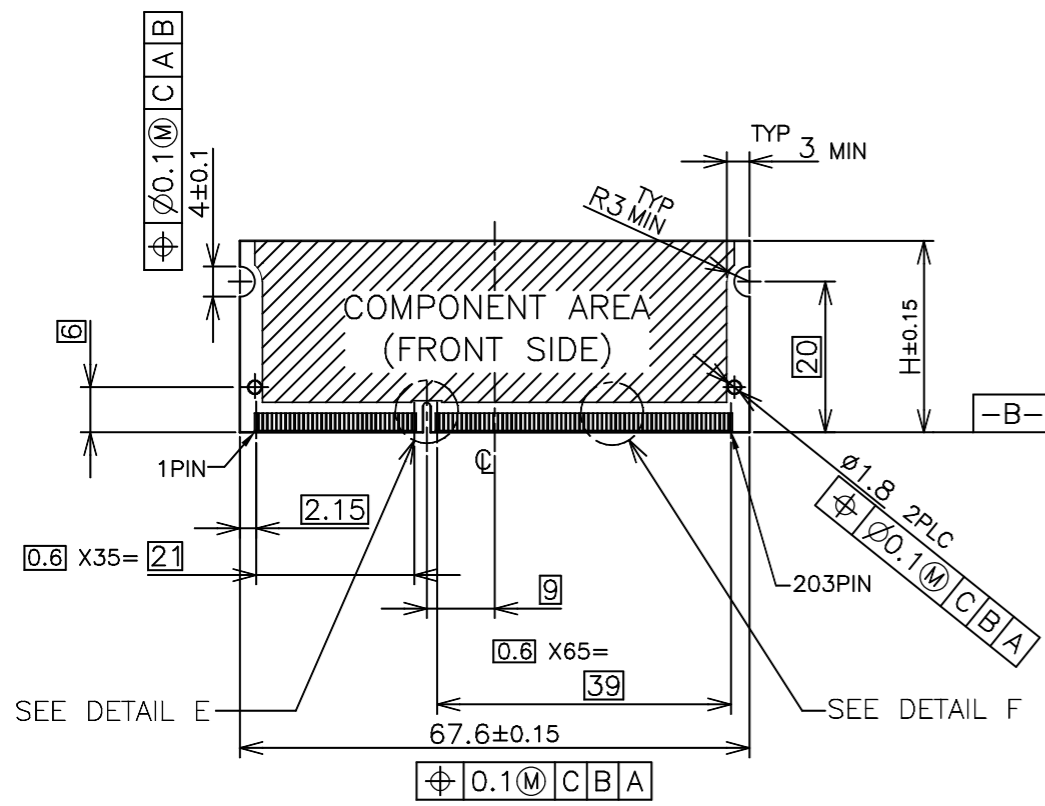


RVS TYPE

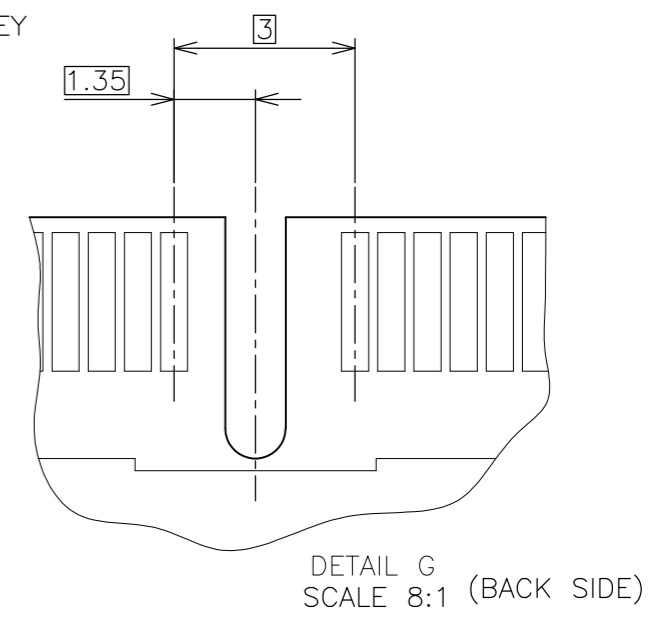
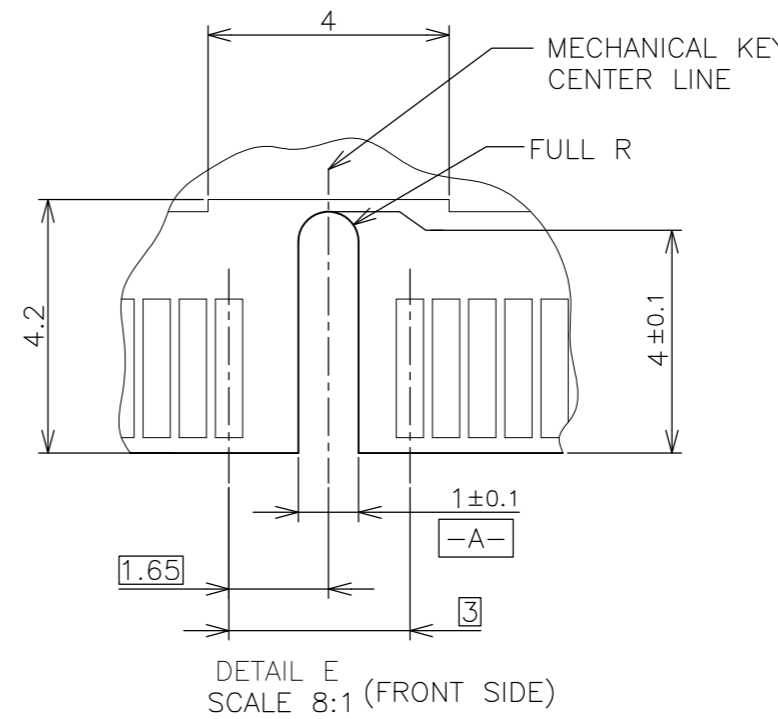
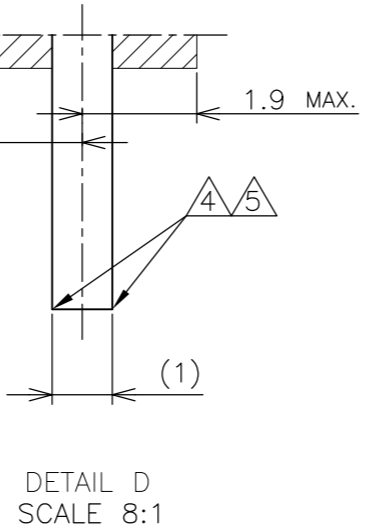
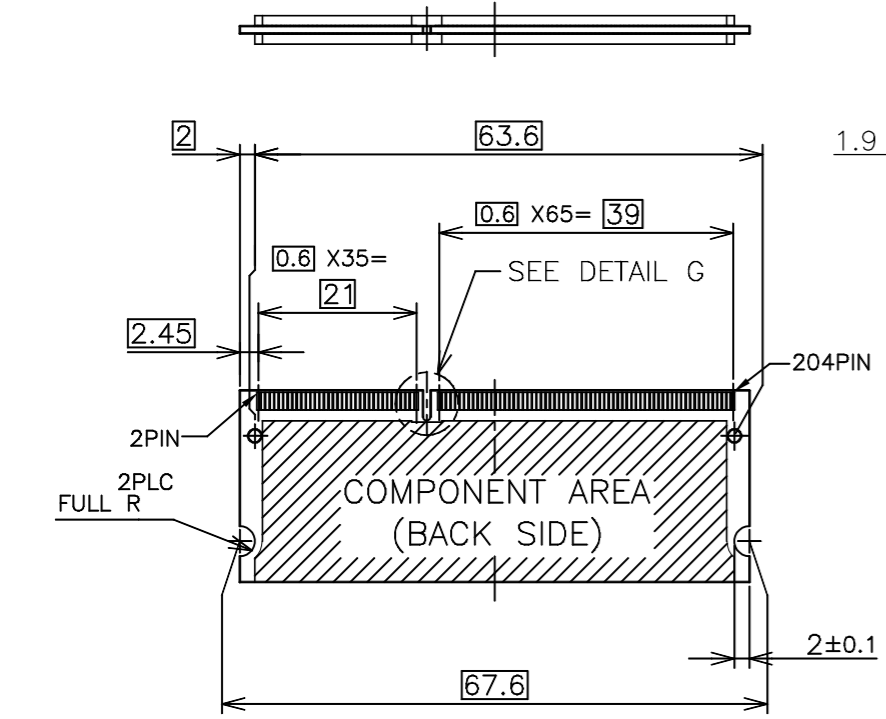
THIS DRAWING IS A CONTROLLED DOCUMENT.		DWN		STE TE Connectivity	
DIMENSIONS: MM		CHK			
TOLERANCES UNLESS OTHERWISE SPECIFIED:		APVD		NAME	
0 PLC ±		PRODUCT SPEC		DDR3 SODIMM SOCKET	
1 PLC ±		APPLICATION SPEC		0.6mm PITCH 204POS	
2 PLC ±		WEIGHT		4mm HEIGHT REVERSE TYPE	
3 PLC ±		CUSTOMER DRAWING		SIZE	RESTRICTED TO
4 PLC ±		SCALE 2:1		A3	-
ANGLES ±		SHEET 3 OF 6		00779	
FINISH		REV C		C=2013287	

LOC	DIST	REVISIONS			
P	LTR	DESCRIPTION	DATE	DWN	APVD
J	/	-	SEE SHEET 1	-	-

REFERENCE MATING P.C.B CONFIGURATION



- (APPLIED TO SHEET 4)
1. TOLERANCES ON ALL DIMENSIONS ±0.15 UNLESS OTHERWISE SPECIFIED.
 2. P.C. BOARD THICKNESS APPLIES ACROSS TABS AND INCLUDES PLATING AND/OR METALIZATION.
 3. FINISH OF PAD : GOLD PLATING 0.00076 MIN. OVER Ni PLATING 0.002MIN.
- ⚠ NO BURR
 ⚠ CHAMFER 0.25 MAX x 45° IF EXIST.



30	CA
31.75	BA
25.4	AA
H	SDRAM VARIATIONS

THIS DRAWING IS A CONTROLLED DOCUMENT.		DWN	TE Connectivity		
DIMENSIONS: MM		CHK			
		APVD			
TOLERANCES UNLESS OTHERWISE SPECIFIED: 0 PLC ± 1 PLC ± 2 PLC ± 3 PLC ± 4 PLC ± ANGLES ± MATERIAL FINISH ±		NAME			
MATERIAL		PRODUCT SPEC	DDR3 SODIMM SOCKET 0.6mm PITCH 204POS 4mm HEIGHT REVERSE TYPE		
		APPLICATION SPEC	SIZE	CAGE CODE	DRAWING NO
		WEIGHT	A300779		C-2013287
		CUSTOMER DRAWING	SCALE	SHEET	REV
			2:1	4 OF 6	C

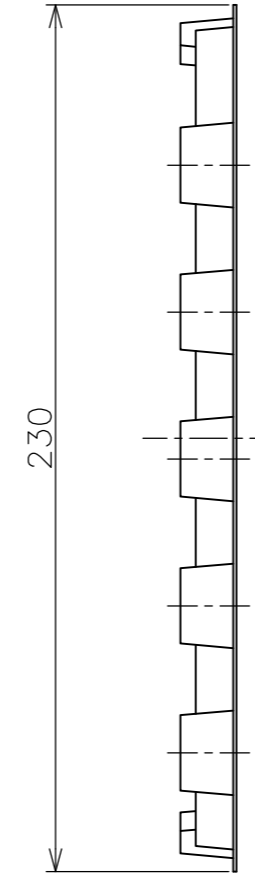
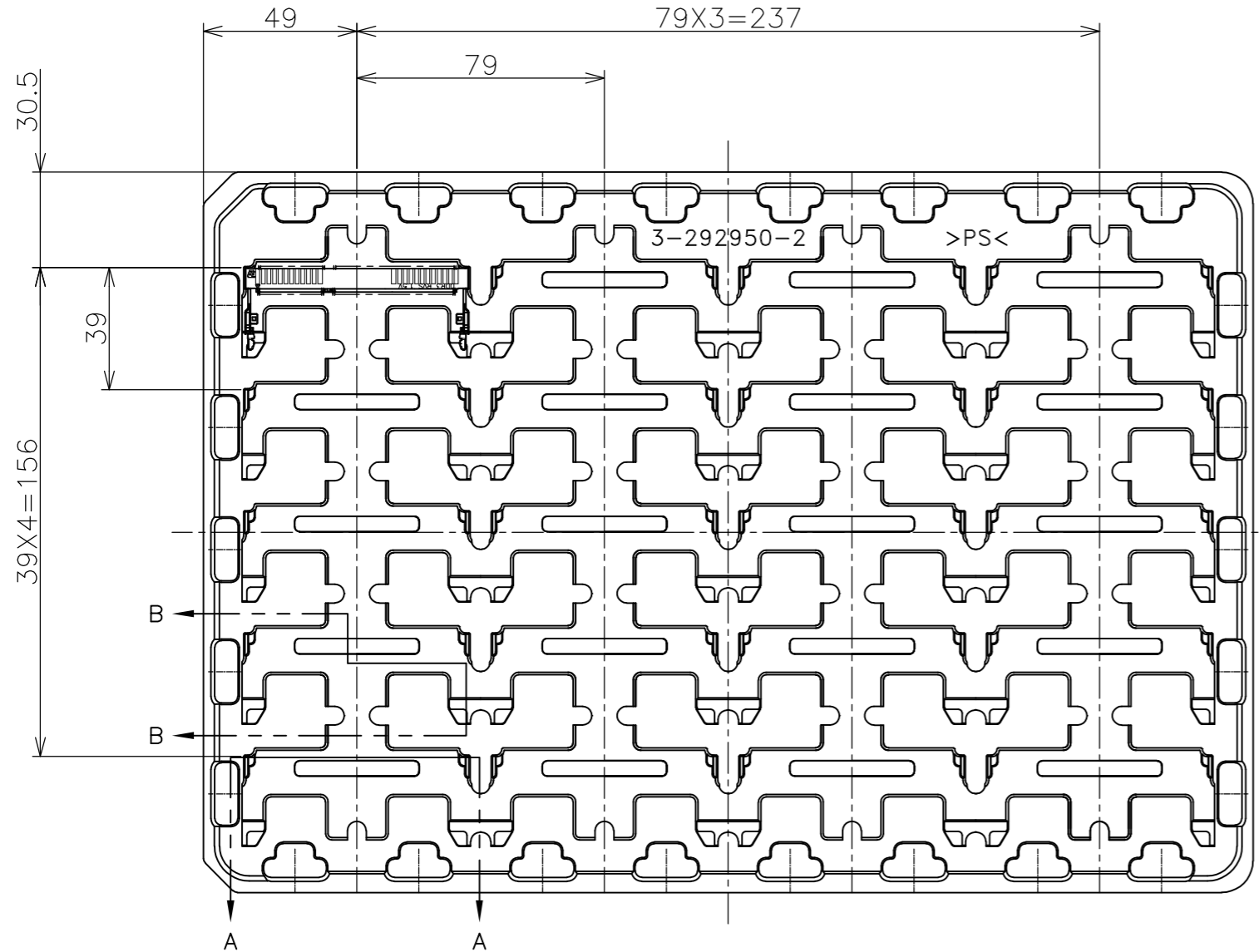
THIS DRAWING IS UNPUBLISHED.

RELEASED FOR PUBLICATION SEP, 2007.

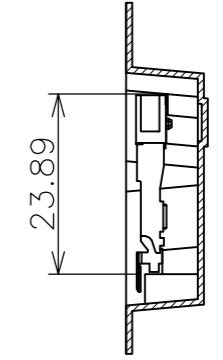
© COPYRIGHT - By -

ALL RIGHTS RESERVED.

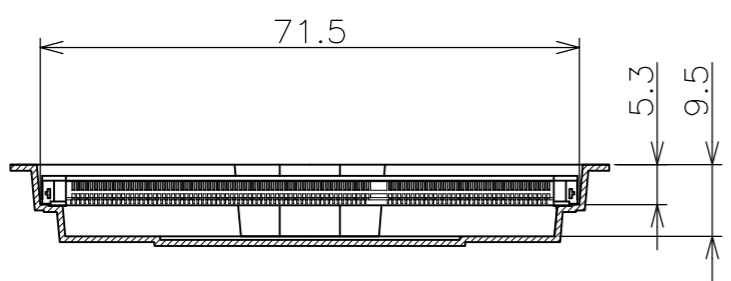
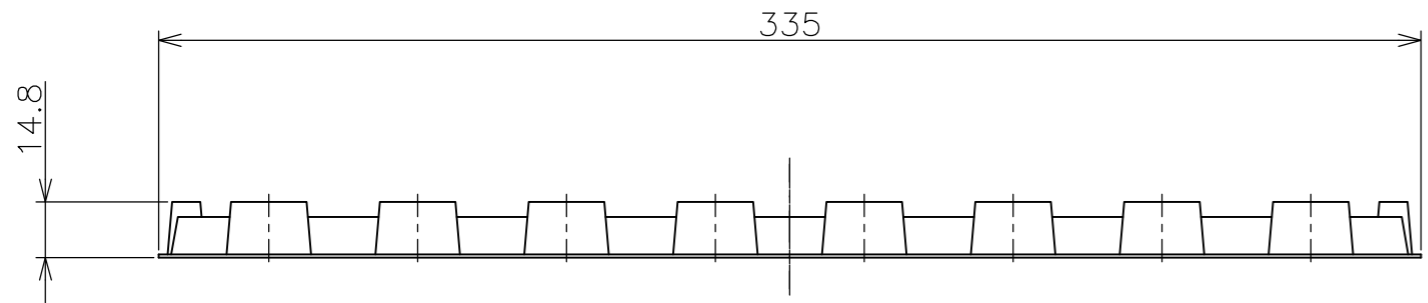
LOC	DIST	REVISIONS			
P	LTR	DESCRIPTION	DATE	DWN	APVD
J	/	SEE SHEET 1	-	-	-



- (APPLIED TO SHEET 5)
1. THE DIRECTION OF EACH CONNECTOR ON A TRAY IS REFERRED TO THIS DRAWING.
 2. GENERAL TOLERANCE: ± 0.5 , $\pm 3'$



B-B SCALE 1:1



A-A SCALE 1:1 (180DEG. ROTATE)

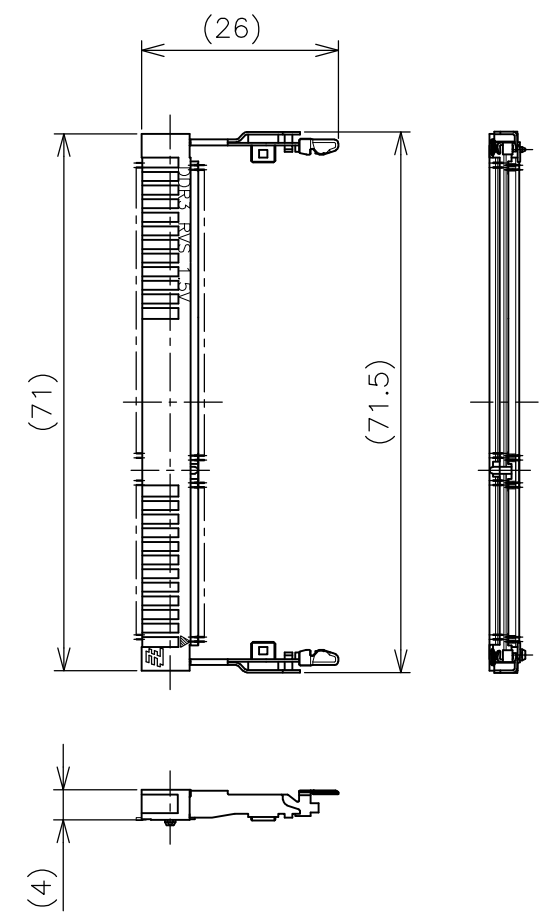
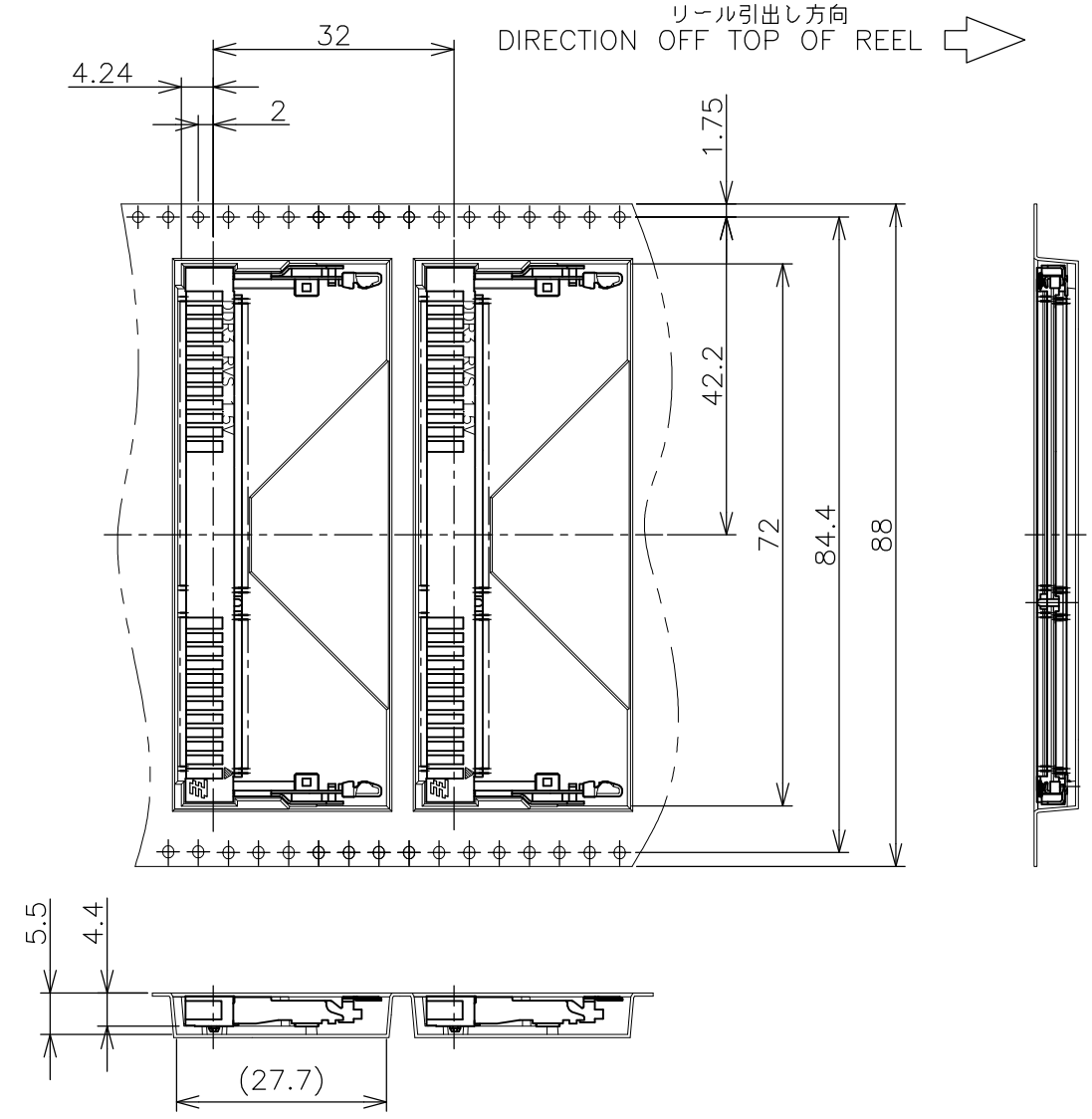
240EA	20EA	*-2013287-*
QTY/BOX	QTY/TRAY	PART NO.

THIS DRAWING IS A CONTROLLED DOCUMENT.		DWN	 TE Connectivity
DIMENSIONS: MM		CHK	
		APVD	
TOLERANCES UNLESS OTHERWISE SPECIFIED: 0 PLC ± 0.5 1 PLC ± 0.5 2 PLC ± 0.5 3 PLC ± 0.5 4 PLC ± 0.5 ANGLES $\pm 3'$		NAME	
MATERIAL		PRODUCT SPEC	DDR3 SODIMM SOCKET
		APPLICATION SPEC	0.6mm PITCH 204POS
		WEIGHT	4mm HEIGHT REVERSE TYPE
		CUSTOMER DRAWING	SIZE CAGE CODE DRAWING NO RESTRICTED TO
			A3 00779 C-2013287
			SCALE 1:2 SHEET 5 OF 6 REV C

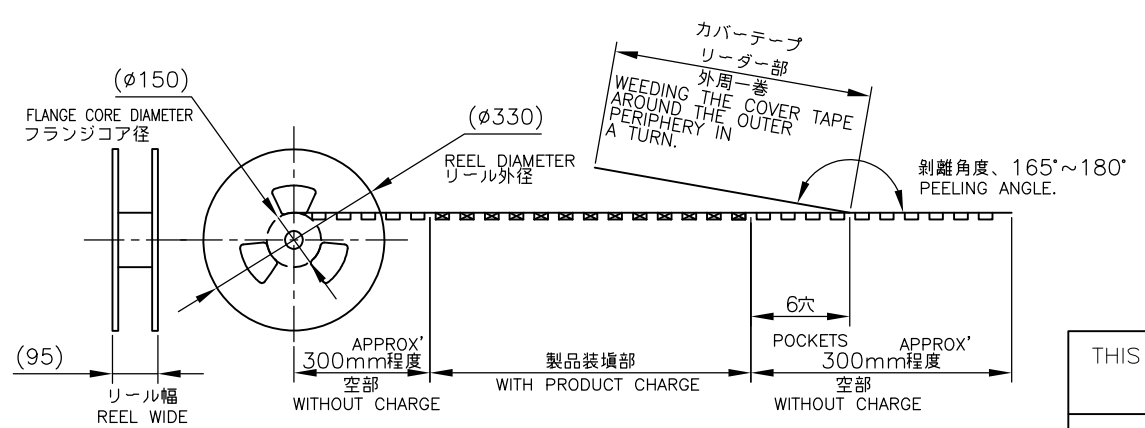
THIS DRAWING IS UNPUBLISHED. RELEASED FOR PUBLICATION SEP ,2007.
 © COPYRIGHT - By - ALL RIGHTS RESERVED.

LOC		DIST		REVISIONS				
P	LTR	DESCRIPTION			DATE	DWN	APVD	
	-	SEE SHEET 1			-	-	-	

リール引出し方向
DIRECTION OFF TOP OF REEL →



- (APPLIED TO SHEET 6)
1. THE DIRECTION OF EACH CONNECTOR ON A EMBOSS IS REFERRED TO THIS DRAWING.
 2. GENERAL TOLERANCE: ± 0.5 , $\pm 3^\circ$



FREE SCALE

THIS DRAWING IS A CONTROLLED DOCUMENT.

DIMENSIONS: MM	TOLERANCES UNLESS OTHERWISE SPECIFIED:
	0 PLC ± 0.5
	1 PLC ± 0.5
	2 PLC ± 0.5
	3 PLC ± 0.5
	4 PLC ± 0.5
	ANGLES ± 3°
MATERIAL	FINISH

DWN	200EA			*-2013287-*		
CHK	QTY/REEL			PART NO.		
APVD	STE TE Connectivity			NAME		
PRODUCT SPEC	DDR3 SODIMM SOCKET			RESTRICTED TO		
APPLICATION SPEC	0.6mm PITCH 204POS			SIZE		
WEIGHT	4mm HEIGHT REVERSE TYPE			CAGE CODE		
CUSTOMER DRAWING	A3 00779			DRAWING NO		
SCALE	1:1			REV		
SHEET	6 OF 6			C		