



Chipsmall Limited consists of a professional team with an average of over 10 year of expertise in the distribution of electronic components. Based in Hongkong, we have already established firm and mutual-benefit business relationships with customers from,Europe,America and south Asia,supplying obsolete and hard-to-find components to meet their specific needs.

With the principle of “Quality Parts,Customers Priority,Honest Operation,and Considerate Service”,our business mainly focus on the distribution of electronic components. Line cards we deal with include Microchip,ALPS,ROHM,Xilinx,Pulse,ON,Everlight and Freescale. Main products comprise IC,Modules,Potentiometer,IC Socket,Relay,Connector.Our parts cover such applications as commercial,industrial, and automotives areas.

We are looking forward to setting up business relationship with you and hope to provide you with the best service and solution. Let us make a better world for our industry!



## Contact us

Tel: +86-755-8981 8866 Fax: +86-755-8427 6832

Email & Skype: info@chipsmall.com Web: www.chipsmall.com

Address: A1208, Overseas Decoration Building, #122 Zhenhua RD., Futian, Shenzhen, China





4

3

2

1

THIS DRAWING IS UNPUBLISHED.

RELEASED FOR PUBLICATION SEP , 2007.

© COPYRIGHT 2007 By -

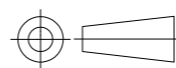
ALL RIGHTS RESERVED.

LOC	DIST	REVISIONS				
P	LTR	DESCRIPTION	DATE	DWN	APVD	
	-	SEE SHEET 1	-	-	-	

AVAILABLE	ENBOSS (SEE SHEET 6)	WITH BOSS	BLACK	NOTE 2-3	1.5V	204	2-2013290-3
AVAILABLE	ENBOSS (SEE SHEET 6)	WITH BOSS	BLACK	NOTE 2-2	1.5V	204	2-2013290-2
AVAILABLE	ENBOSS (SEE SHEET 6)	WITH BOSS	BLACK	NOTE 2-1	1.5V	204	2-2013290-1
AVAILABLE	SEMI-HARD TRAY (SEE SHEET 5)	WITH BOSS	BLACK	NOTE 2-3	1.5V	204	2013290-3
AVAILABLE	SEMI-HARD TRAY (SEE SHEET 5)	WITH BOSS	BLACK	NOTE 2-2	1.5V	204	2013290-2
AVAILABLE	SEMI-HARD TRAY (SEE SHEET 5)	WITH BOSS	BLACK	NOTE 2-1	1.5V	204	2013290-1
TOOLING STATUS	PACAGKING TYPE	BOSS TYPE	HOUSING COLOR	FINISH	POWER SUPPLY	POS	PART NO.

THIS DRAWING IS A CONTROLLED DOCUMENT.


DIMENSIONS:  
MM



TOLERANCES UNLESS OTHERWISE SPECIFIED:

- 0 PLC ±
- 1 PLC ±
- 2 PLC ±
- 3 PLC ±
- 4 PLC ±
- ANGLES ±
- FINISH

MATERIAL

DWN	 <b>TE Connectivity</b>			NAME DDR3 SODIMM SOCKET 0.6mm PITCH 204POS 5.2mm HEIGHT REVERSE TYPE	RESTRICTED TO
CHK					
APVD					
PRODUCT SPEC					
APPLICATION SPEC	SIZE	CAGE CODE	DRAWING NO		
WEIGHT	A3	00779	C-2013290	-	
CUSTOMER DRAWING			SCALE	SHEET	REV
			2:1	2 of 6	C1

THIS DRAWING IS UNPUBLISHED.

RELEASED FOR PUBLICATION

SEP , 2007.

© COPYRIGHT 2007 By -

ALL RIGHTS RESERVED.

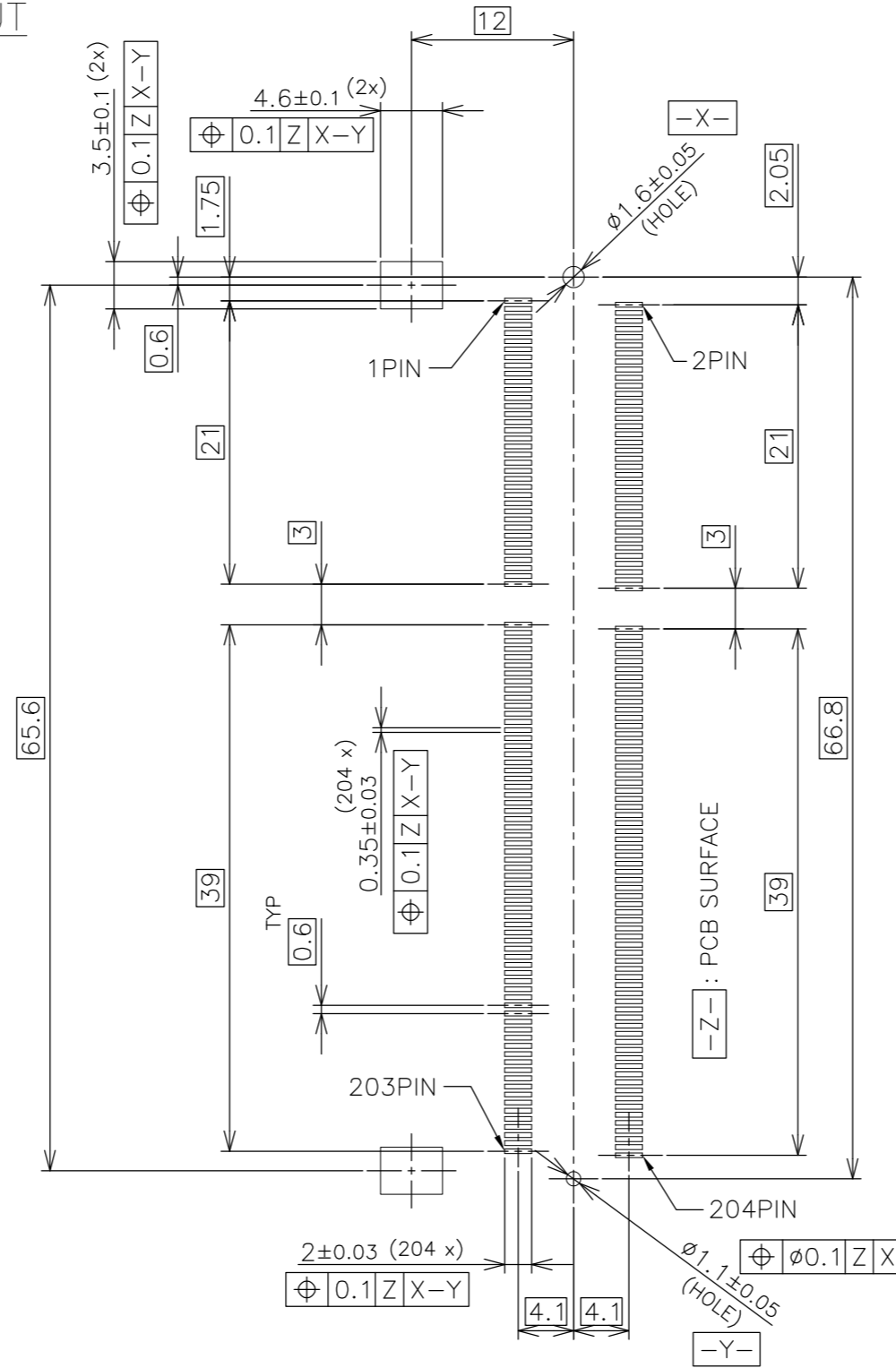
LOC

DIST

REVISIONS

P	LTR	DESCRIPTION	DATE	DWN	APVD
-	-	SEE SHEET 1	-	-	-

REFERENCE P.C.BOARD PATTERN LAYOUT  
(CONNECTOR MOUNTING SIDE)



RVS TYPE

THIS DRAWING IS A CONTROLLED DOCUMENT.

DIMENSIONS:	TOLERANCES UNLESS OTHERWISE SPECIFIED:
MM	
0 PLC	±
1 PLC	±
2 PLC	±
3 PLC	±
4 PLC	±
ANGLES	±

MATERIAL FINISH

DWN
CHK
APVD
PRODUCT SPEC
APPLICATION SPEC
WEIGHT



NAME  
DDR3 SODIMM SOCKET  
0.6mm PITCH 204POS  
5.2mm HEIGHT REVERSE TYPE

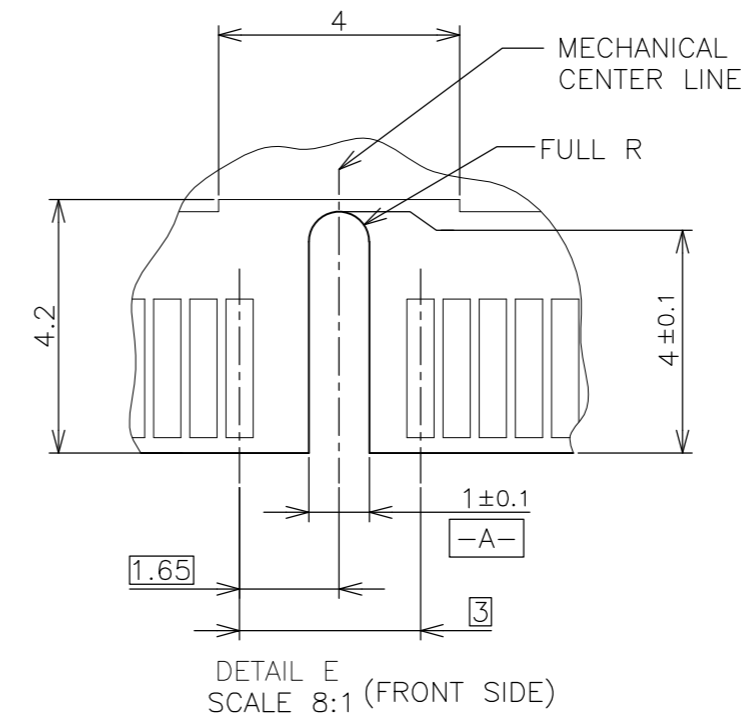
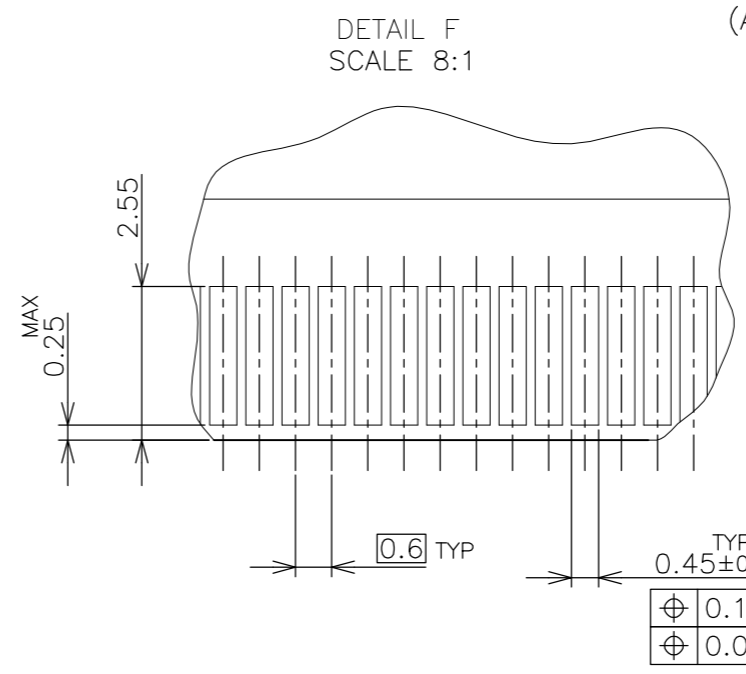
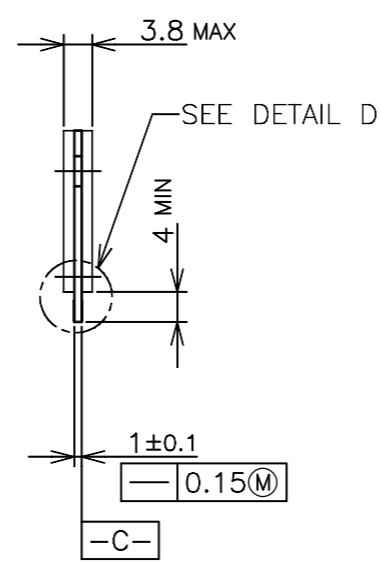
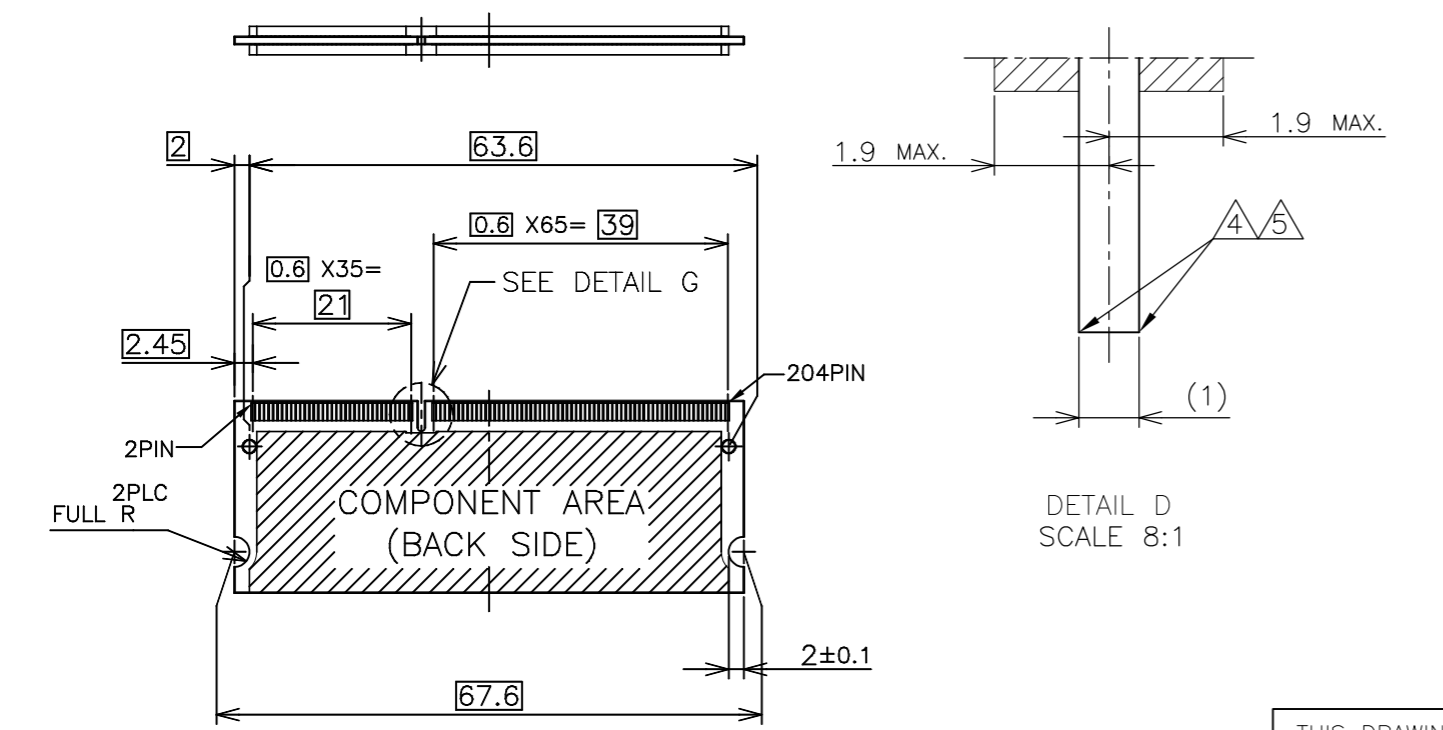
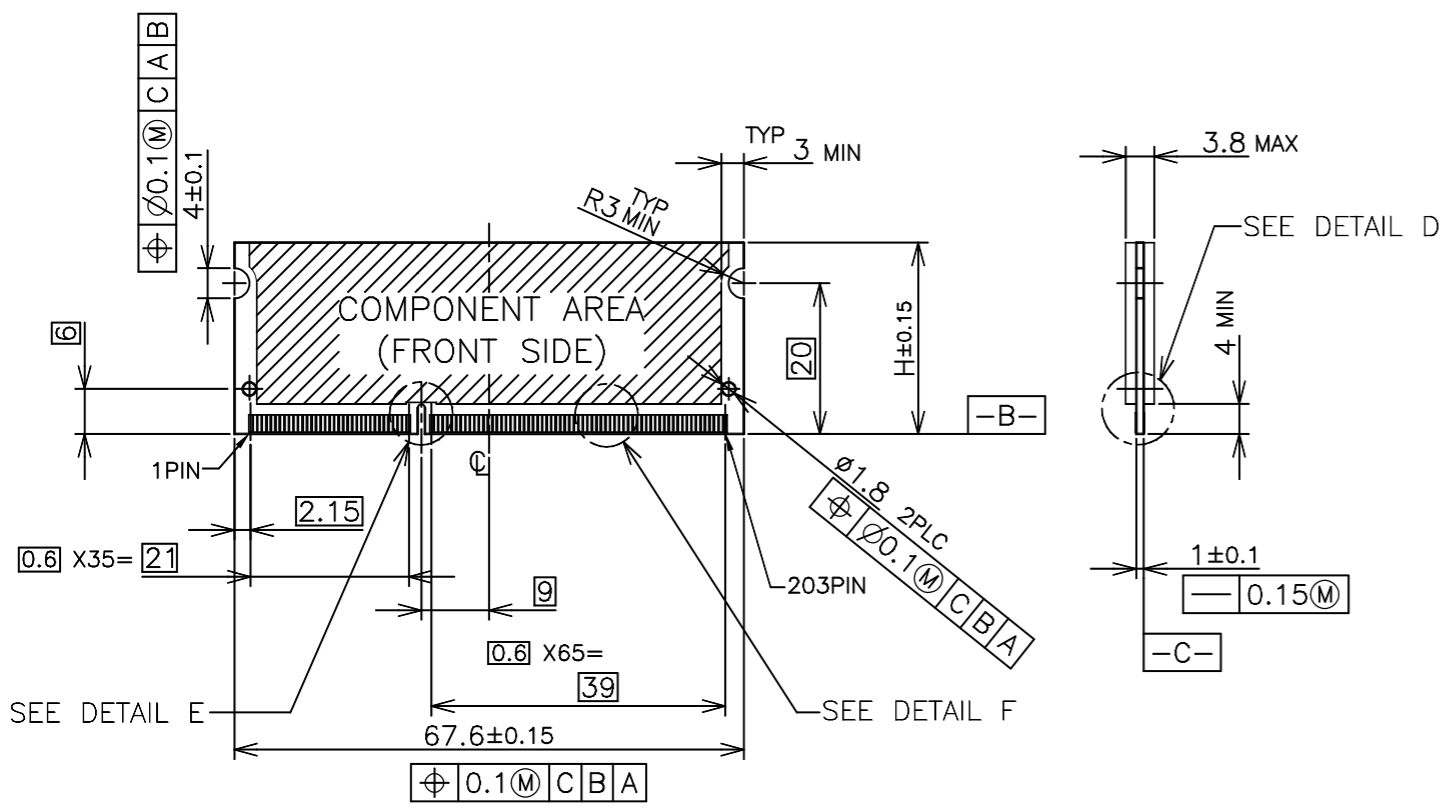
SIZE	CAGE CODE	DRAWING NO	RESTRICTED TO
A3	00779	C-2013290	-

CUSTOMER DRAWING SCALE 2:1 SHEET 3 OF 6 REV C1

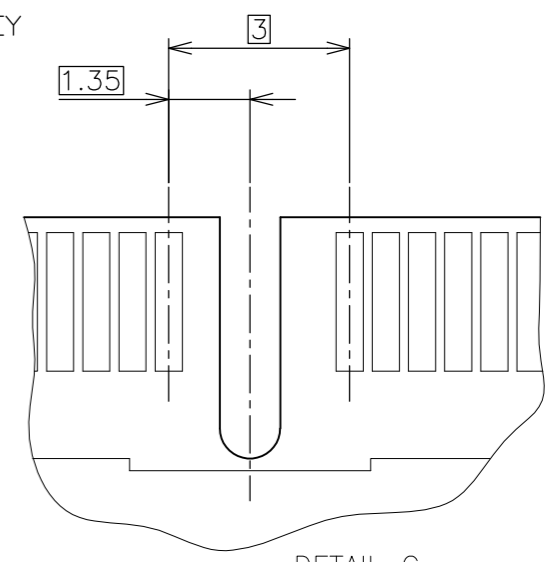
LOC	DIST
J	/

REVISIONS					
P	LTR	DESCRIPTION	DATE	DWN	APVD
-	-	SEE SHEET 1	-	-	-

# REFERENCE MATING P.C.B CONFIGURATION



- (APPLIED TO SHEET 4)
1. TOLERANCES ON ALL DIMENSIONS  $\pm 0.15$  UNLESS OTHERWISE SPECIFIED.
  2. P.C. BOARD THICKNESS APPLIES ACROSS TABS AND INCLUDES PLATING AND/OR METALIZATION.
  3. FINISH OF PAD : GOLD PLATING 0.00076 MIN. OVER Ni PLATING 0.002MIN.
- △ NO BURR
  - △ CHAMFER 0.25 MAX x 45° IF EXIST.



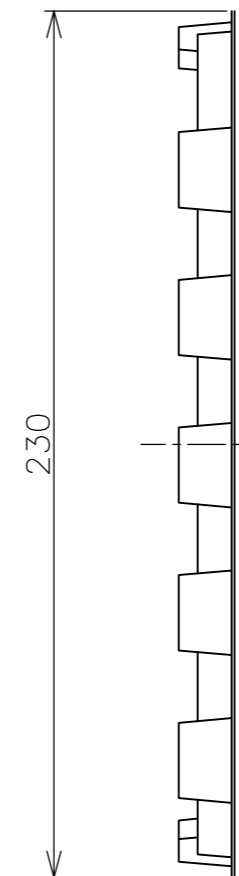
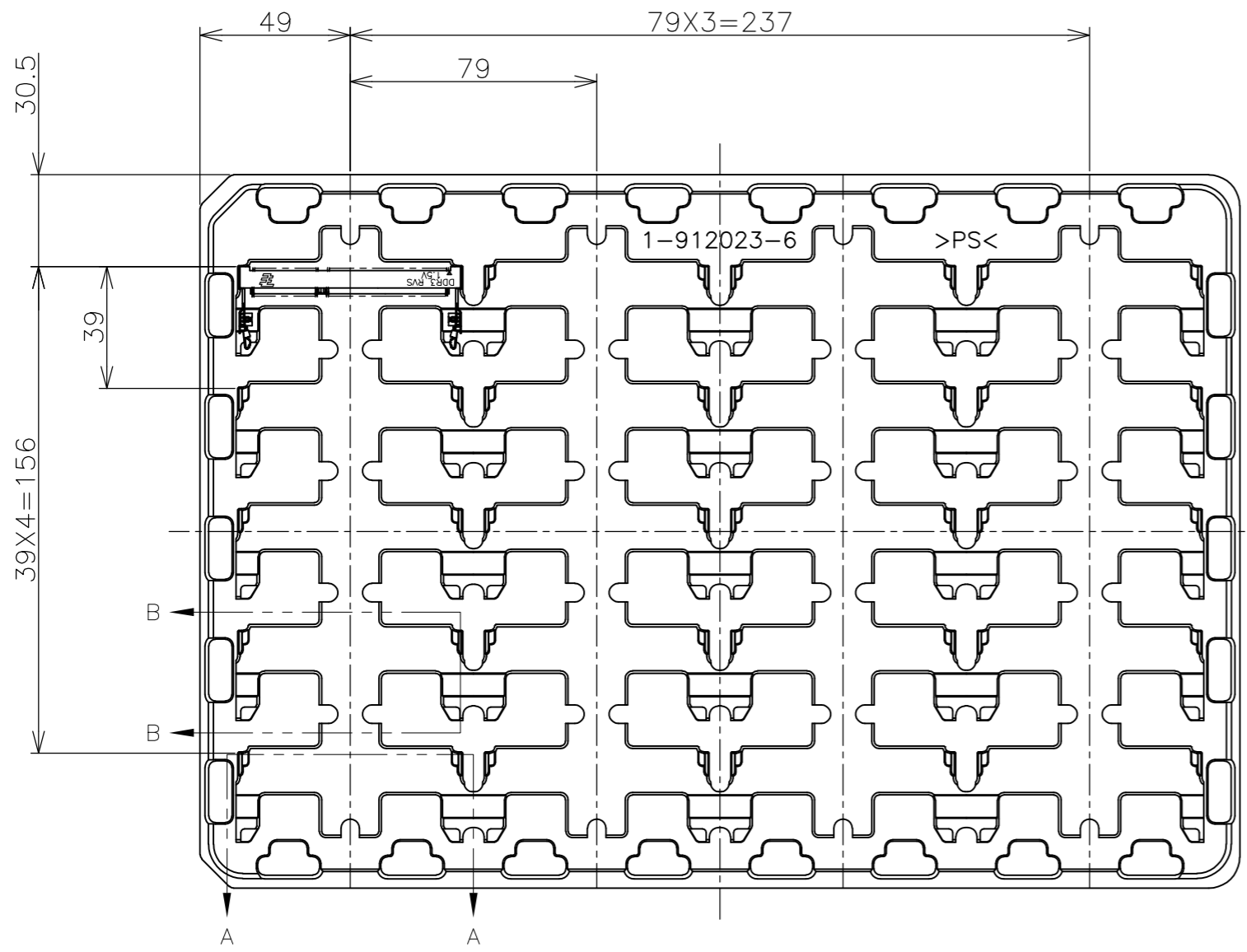
30	CA
31.75	BA
25.4	AA
H	SDRAM VARIATIONS

THIS DRAWING IS A CONTROLLED DOCUMENT.		DWN		 TE Connectivity	
DIMENSIONS: MM		CHK			
TOLERANCES UNLESS OTHERWISE SPECIFIED:		APVD			
0 PLC ± 1 PLC ± 2 PLC ± 3 PLC ± 4 PLC ± ANGLES ± MATERIAL FINISH ±		NAME			
MATERIAL		PRODUCT SPEC		DDR3 SODIMM SOCKET 0.6mm PITCH 204POS 5.2mm HEIGHT REVERSE TYPE	
WEIGHT		APPLICATION SPEC		SIZE CAGE CODE DRAWING NO RESTRICTED TO A3 00779 C-2013290 -	
CUSTOMER DRAWING		SCALE 2:1		SHEET 4 OF 6 REV C1	

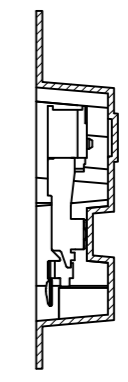


THIS DRAWING IS UNPUBLISHED. RELEASED FOR PUBLICATION SEP , 2007.  
 © COPYRIGHT 2007 By - ALL RIGHTS RESERVED.

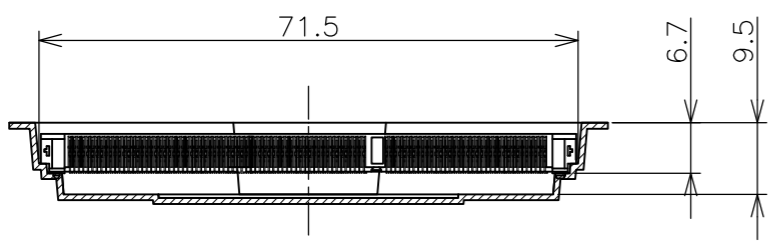
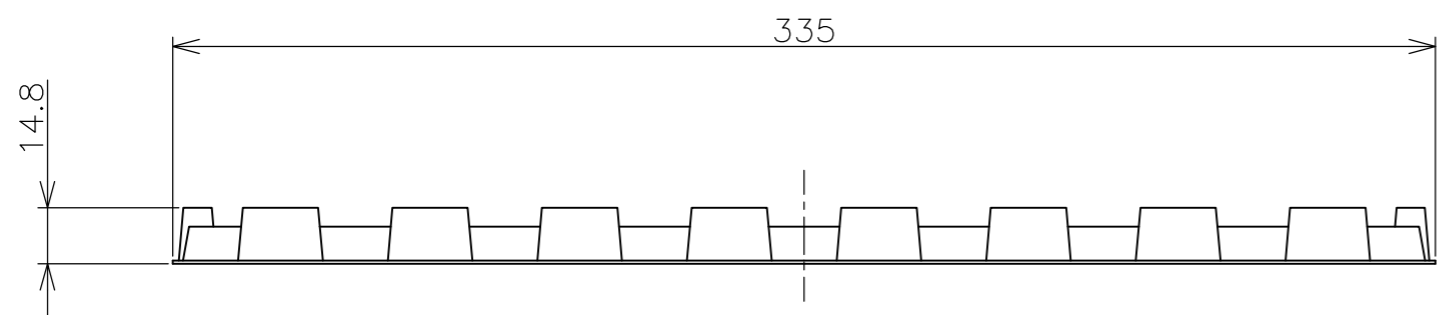
LOC	DIST	REVISIONS			
P	LTR	DESCRIPTION	DATE	DWN	APVD
J	/	SEE SHEET 1	-	-	-



- (APPLIED TO SHEET 5)
1. THE DIRECTION OF EACH CONNECTOR ON A TRAY IS REFERRED TO THIS DRAWING.
  2. GENERAL TOLERANCE: ±0.5, ±3'



B-B  
SCALE 1:1



A-A  
SCALE 1:1  
(180DEG. ROTATE)

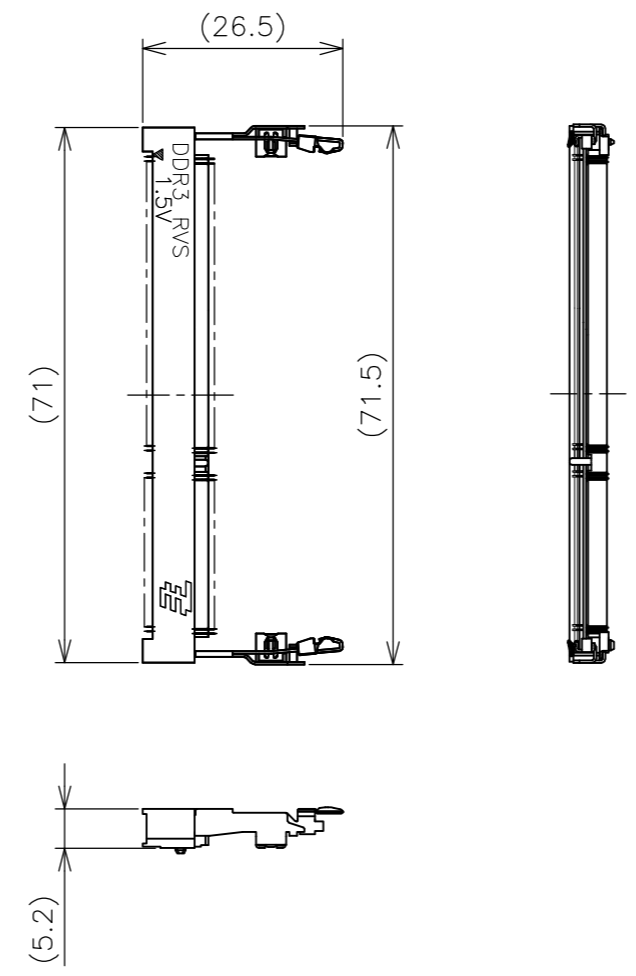
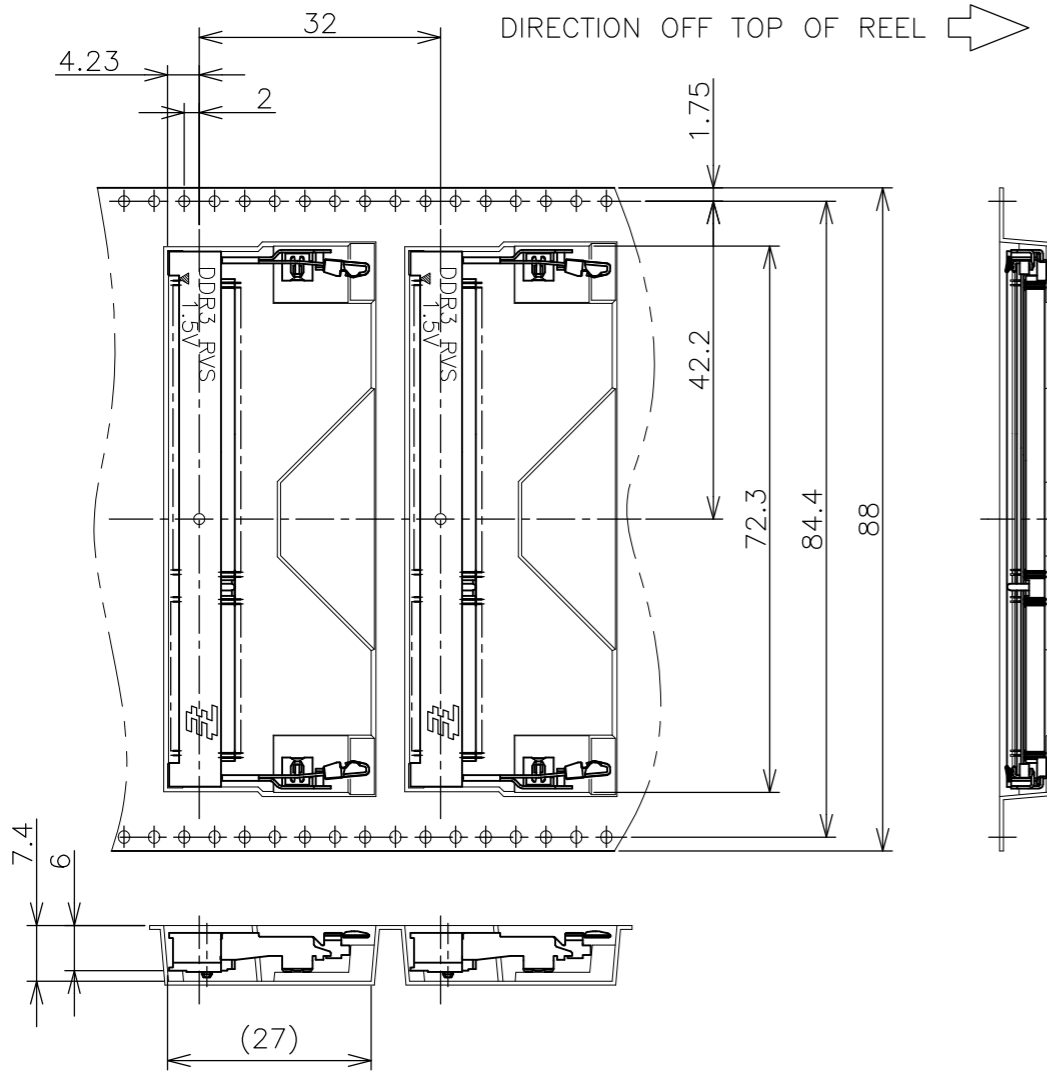
240EA	20EA	*-2013290-*
QTY/BOX	QTY/TRAY	PART NO.
<b>STE</b> TE Connectivity		
NAME DDR3 SODIMM SOCKET 0.6mm PITCH 204POS 5.2mm HEIGHT REVERSE TYPE		
SIZE	CAGE CODE	DRAWING NO
A3	00779	C-2013290
CUSTOMER DRAWING		RESTRICTED TO
SCALE	SHEET	REV
1:2	5 OF 6	C1

THIS DRAWING IS A CONTROLLED DOCUMENT.		DWN
DIMENSIONS: MM		CHK
TOLERANCES UNLESS OTHERWISE SPECIFIED:		APVD
0 PLC ± 0.5		PRODUCT SPEC
1 PLC ± 0.5		APPLICATION SPEC
2 PLC ± 0.5		WEIGHT
3 PLC ± 0.5		CUSTOMER DRAWING
4 PLC ± 0.5		
ANGLES ± 3'		
MATERIAL		FINISH

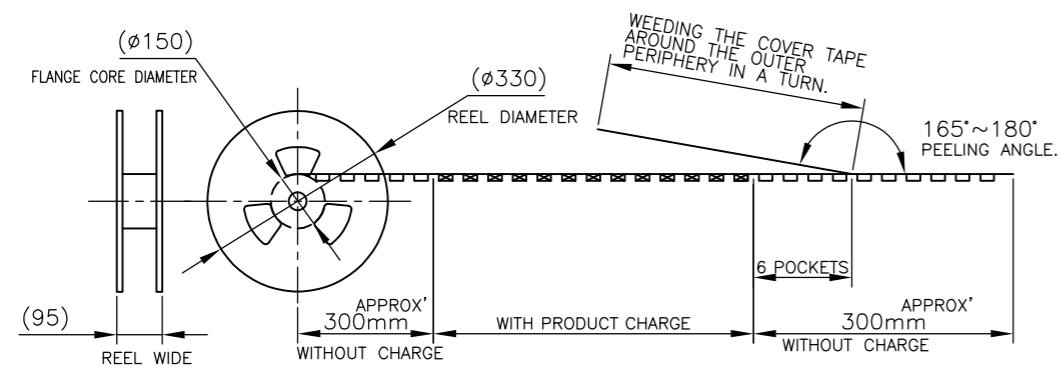
THIS DRAWING IS UNPUBLISHED. RELEASED FOR PUBLICATION SEP, 2007.

© COPYRIGHT 2007 By - ALL RIGHTS RESERVED.

LOC		DIST		REVISIONS				
P	LTR	DESCRIPTION			DATE	DWN	APVD	
	-	SEE SHEET 1			-	-	-	



- (APPLIED TO SHEET 6)
1. THE DIRECTION OF EACH CONNECTOR ON A REEL IS REFERRED TO THIS DRAWING.
  2. GENERAL TOLERANCE:  $\pm 0.5$ ,  $\pm 3'$



FREE SCALE

THIS DRAWING IS A CONTROLLED DOCUMENT.		DWN	TE Connectivity NAME DDR3 SODIMM SOCKET 0.6mm PITCH 204POS 5.2mm HEIGHT REVERSE TYPE			RESTRICTED TO		
DIMENSIONS: MM		CHK				SIZE	CAGE CODE	DRAWING NO
TOLERANCES UNLESS OTHERWISE SPECIFIED:		APVD				A3	00779	C-2013290
MATERIAL		PRODUCT SPEC				SCALE 1:2 SHEET 6 OF 6 REV C1		
0 PLC $\pm 0.5$ 1 PLC $\pm 0.5$ 2 PLC $\pm 0.5$ 3 PLC $\pm 0.5$ 4 PLC $\pm 0.5$ ANGLES $\pm 3'$		APPLICATION SPEC	CUSTOMER DRAWING					
FINISH		WEIGHT						