



Chipsmall Limited consists of a professional team with an average of over 10 year of expertise in the distribution of electronic components. Based in Hongkong, we have already established firm and mutual-benefit business relationships with customers from,Europe,America and south Asia,supplying obsolete and hard-to-find components to meet their specific needs.

With the principle of “Quality Parts,Customers Priority,Honest Operation,and Considerate Service”,our business mainly focus on the distribution of electronic components. Line cards we deal with include Microchip,ALPS,ROHM,Xilinx,Pulse,ON,Everlight and Freescale. Main products comprise IC,Modules,Potentiometer,IC Socket,Relay,Connector.Our parts cover such applications as commercial,industrial, and automotives areas.

We are looking forward to setting up business relationship with you and hope to provide you with the best service and solution. Let us make a better world for our industry!



Contact us

Tel: +86-755-8981 8866 Fax: +86-755-8427 6832

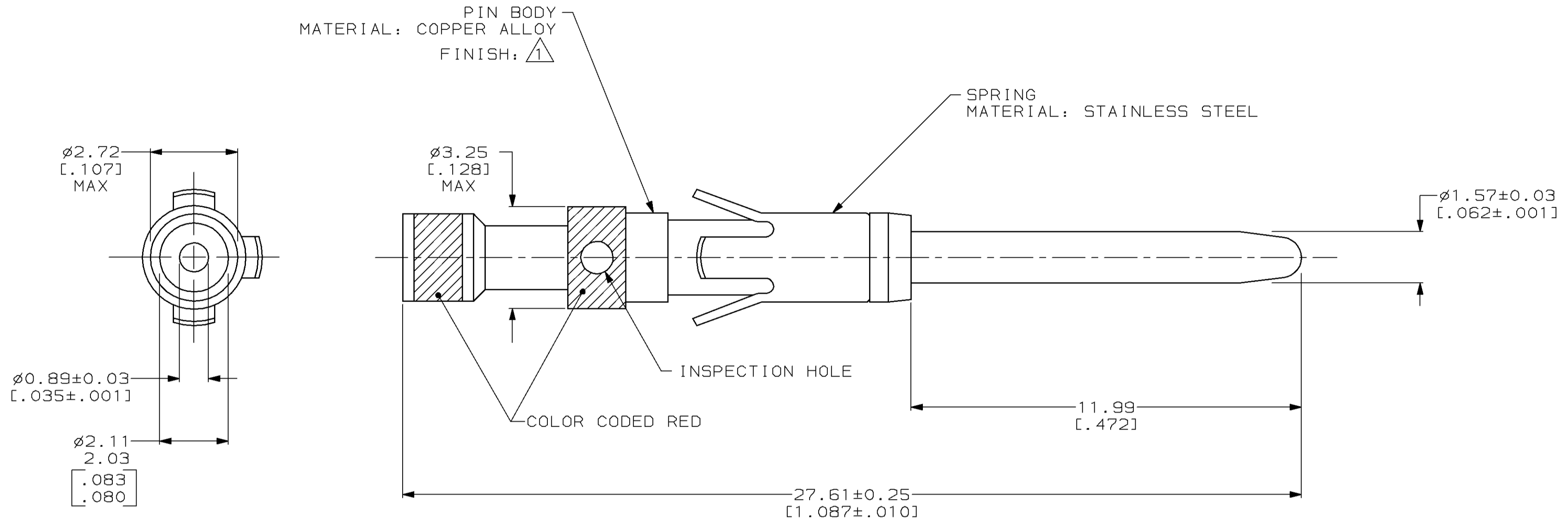
Email & Skype: info@chipsmall.com Web: www.chipsmall.com

Address: A1208, Overseas Decoration Building, #122 Zhenhua RD., Futian, Shenzhen, China



THIS DRAWING IS UNPUBLISHED. RELEASED FOR PUBLICATION
 BY AMP INCORPORATED. ALL RIGHTS RESERVED.

LOC		DIST		REVISIONS			
P	LTR	DESCRIPTION	DATE	DWN	APVD		
FT	8	S	REDRAWN W/O CHANGE PER EC 0320-98-96	20 NOV 97	-	-	



1 0.76µm [0.000030] MIN GOLD OVER 1.27µm [0.000050] MIN NICKEL.

201334-1
 PART NUMBER

THIS DRAWING IS A CONTROLLED DOCUMENT.		DWN	20 NOV 97	AMP Incorporated Harrisburg, PA 17105-3608
DIMENSIONS:		CHK	09 DEC 97	
mm [INCHES]		APVD	16 DEC 97	
TOLERANCES UNLESS OTHERWISE SPECIFIED: 0 PLC ±- 1 PLC ±- 2 PLC ±0.13 [0.005] 3 PLC ±- 4 PLC ±- ANGLES ±- FINISH SEE CALLOUTS		NAME	G. STEINHAUER	
MATERIAL		PRODUCT SPEC	-	CONTACT ASSEMBLY, PIN, #16, 24-28AWG, TYPE II
SEE CALLOUTS		APPLICATION SPEC	-	SIZE
		WEIGHT	-	CAGE CODE
		CUSTOMER DRAWING	A2	DRAWING NO
		SCALE	10:1	201334
		SHEET	1 OF 1	RESTRICTED TO
		REV	5	-

201334