



Chipsmall Limited consists of a professional team with an average of over 10 year of expertise in the distribution of electronic components. Based in Hongkong, we have already established firm and mutual-benefit business relationships with customers from,Europe,America and south Asia,supplying obsolete and hard-to-find components to meet their specific needs.

With the principle of “Quality Parts,Customers Priority,Honest Operation,and Considerate Service”,our business mainly focus on the distribution of electronic components. Line cards we deal with include Microchip,ALPS,ROHM,Xilinx,Pulse,ON,Everlight and Freescale. Main products comprise IC,Modules,Potentiometer,IC Socket,Relay,Connector.Our parts cover such applications as commercial,industrial, and automotives areas.

We are looking forward to setting up business relationship with you and hope to provide you with the best service and solution. Let us make a better world for our industry!



Contact us

Tel: +86-755-8981 8866 Fax: +86-755-8427 6832

Email & Skype: info@chipsmall.com Web: www.chipsmall.com

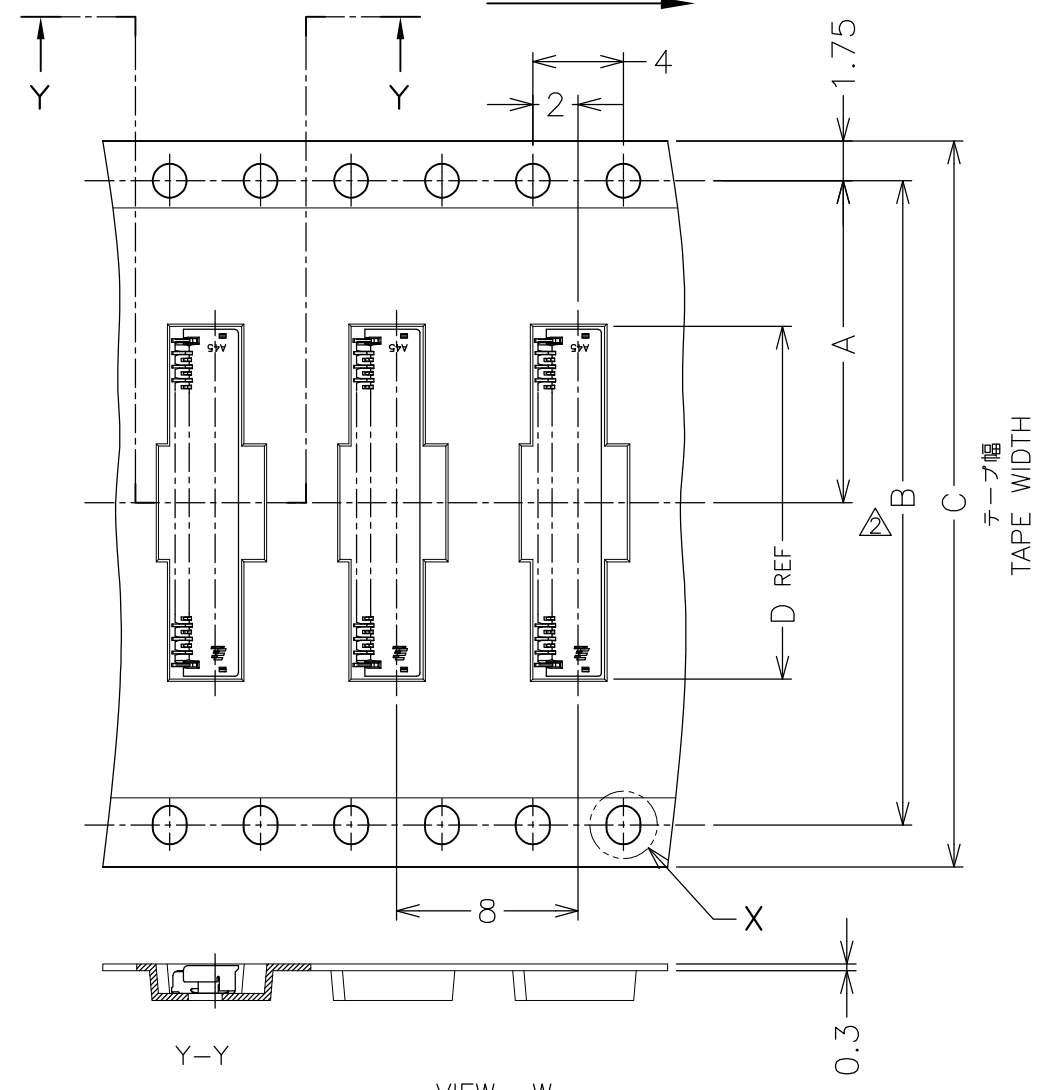
Address: A1208, Overseas Decoration Building, #122 Zhenhua RD., Futian, Shenzhen, China



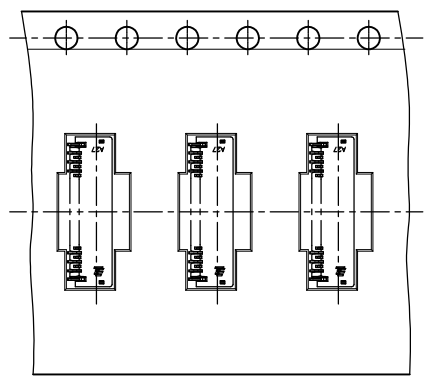
THIS DRAWING IS UNPUBLISHED. RELEASED FOR PUBLICATION
 © COPYRIGHT - By - ALL RIGHTS RESERVED.

LOC	DIST	REVISIONS					
		P	LTR	DESCRIPTION	DATE	DWN	APVD
J	-		E	REVISED PER ECR-11-008941	28JUL11	T.T	T.M

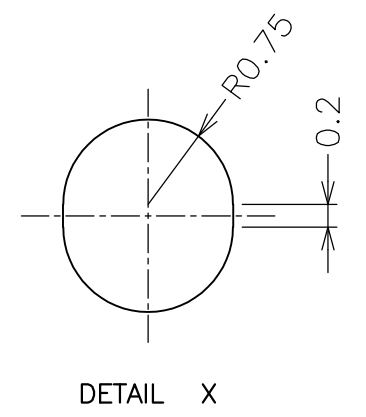
リール引出し方向
DIRECTION OFF TOP OF REEL



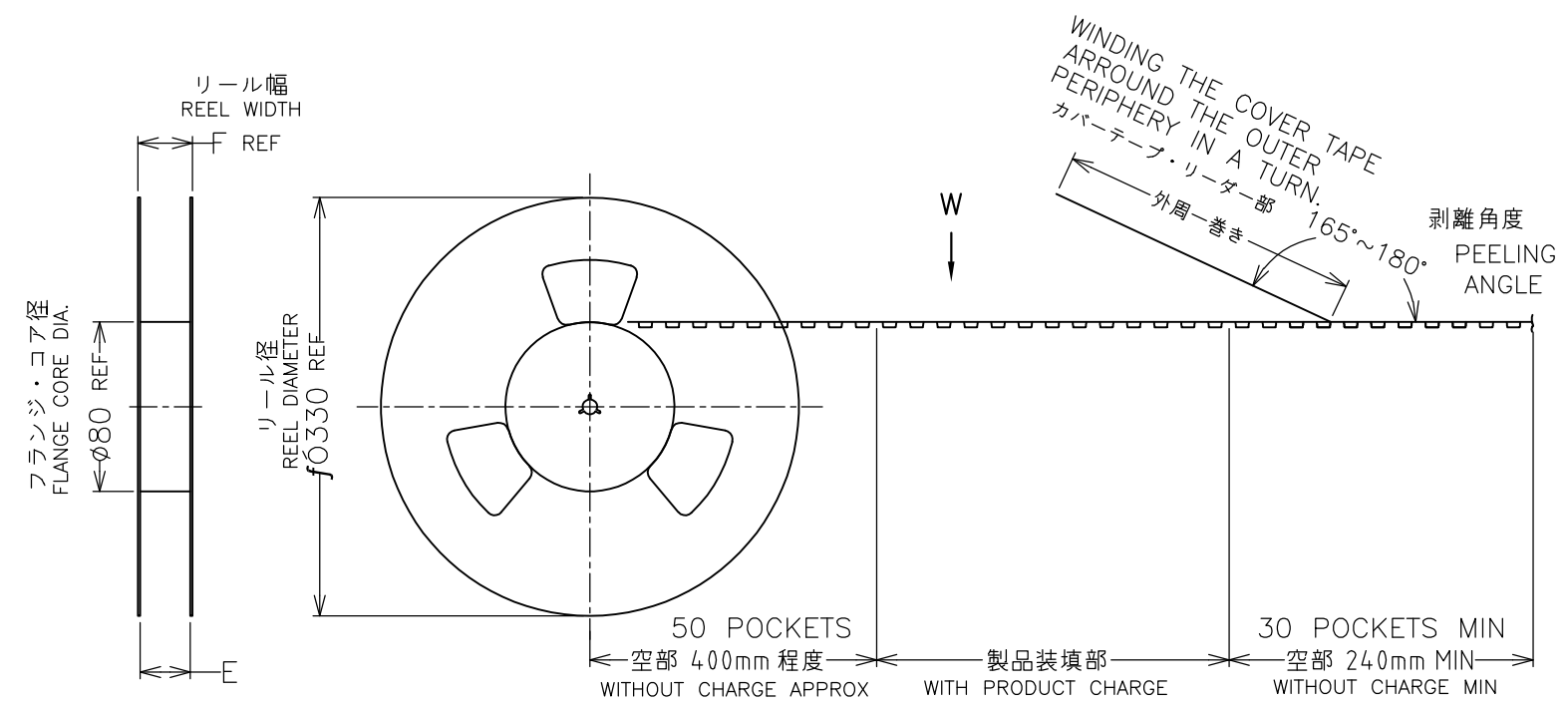
VIEW W
テープ幅 32mm以上に適用
APPLIED TAPE WIDTH 32MM, MORE.



VIEW W
テープ幅 12mm, 16mm, 24mm に適用
APPLIED TAPE WIDTH 12MM, 16MM AND 24MM.



DETAIL X



WINDING THE COVER TAPE
AROUND THE OUTER
PERIPHERY IN A TURN.
カバーテープ・リーダー部
外周巻き
剥離角度
165°~180°
PEELING
ANGLE

- △ GENERAL TOLERANCE
10 ≥ : ±0.2
30 ≥ > 10: ±0.25
100 ≥ > 30: ±0.3
ANGLES: ±3°
- △ DIM. B AND DETAIL "X" APPLIED
TAPE WIDE, 32mm MORE.
- △ 一般公差
10以下: ±0.2
10を越え 30以下: ±0.25
30を越え 100以下: ±0.3
角度: ±3°
- △ B寸法及び"X"詳細図は、
テープ幅 32mm以上に適用

OBSOLETE	AVAILABLE	0.102g	30.4	24.4	17.35	24	—	11.5	4000	51	2-2013496-1
	AVAILABLE	0.090g	30.4	24.4	15.55	24	—	11.5	4000	45	1-2013496-8
	AVAILABLE	0.083g	30.4	24.4	14.35	24	—	11.5	4000	41	1-2013496-6
	AVAILABLE	0.080g	30.4	24.4	13.75	24	—	11.5	4000	39	1-2013496-5
	AVAILABLE	0.066g	30.4	24.4	11.35	24	—	11.5	4000	31	1-2013496-1
	AVAILABLE	0.062g	30.4	24.4	10.75	24	—	11.5	4000	29	1-2013496-0
	AVAILABLE	0.059g	30.4	24.4	10.15	24	—	11.5	4000	27	2013496-9
OBSOLETE	AVAILABLE	0.048g	22.4	16.4	8.35	16	—	7.5	4000	21	2013496-6
	STATUS	CONNECTOR WEIGHT	F	E	D	C	B	A	数量 (ヶ)	POS.(N)	EMBOSS TAPE PACKAGING PART NUMBER
			DIMENSIONS						QTY/REEL		

THIS DRAWING IS A CONTROLLED DOCUMENT.

DWN Y.KODAIRA 29NOV2007
 CHK T.KUSUHARA 29NOV2007
 APVD T.KUSUHARA 29NOV2007

TE Connectivity

0.3FPC Narrow BF-L-1.2H
1.2mmH, 2.9mmW, GOLD PLATE

108-78351
411-78302

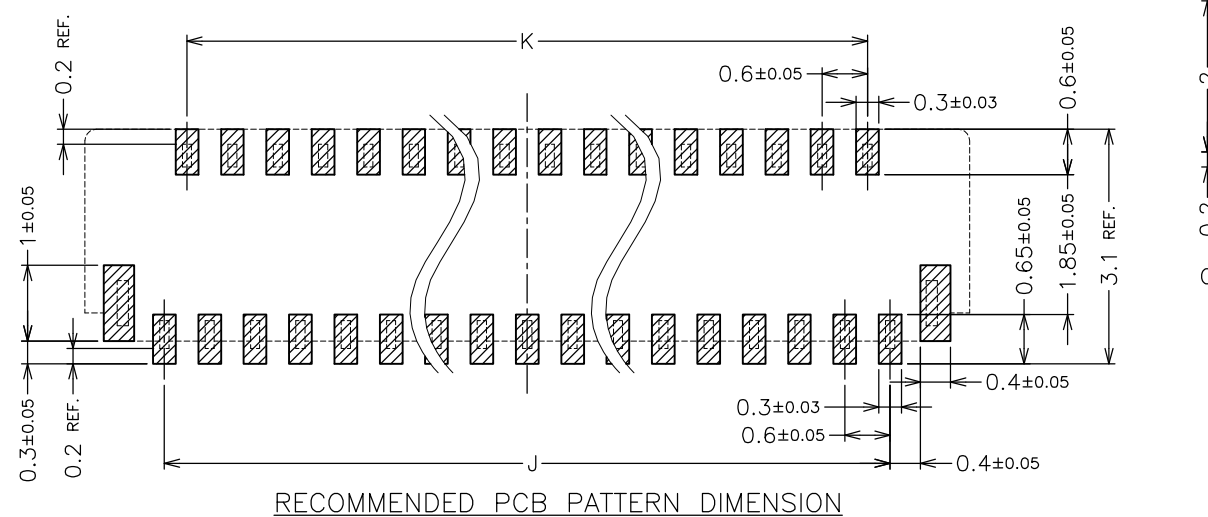
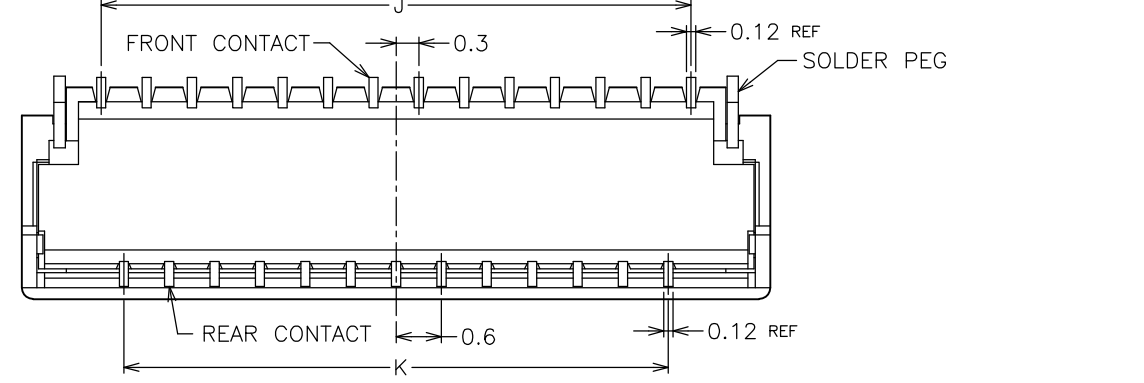
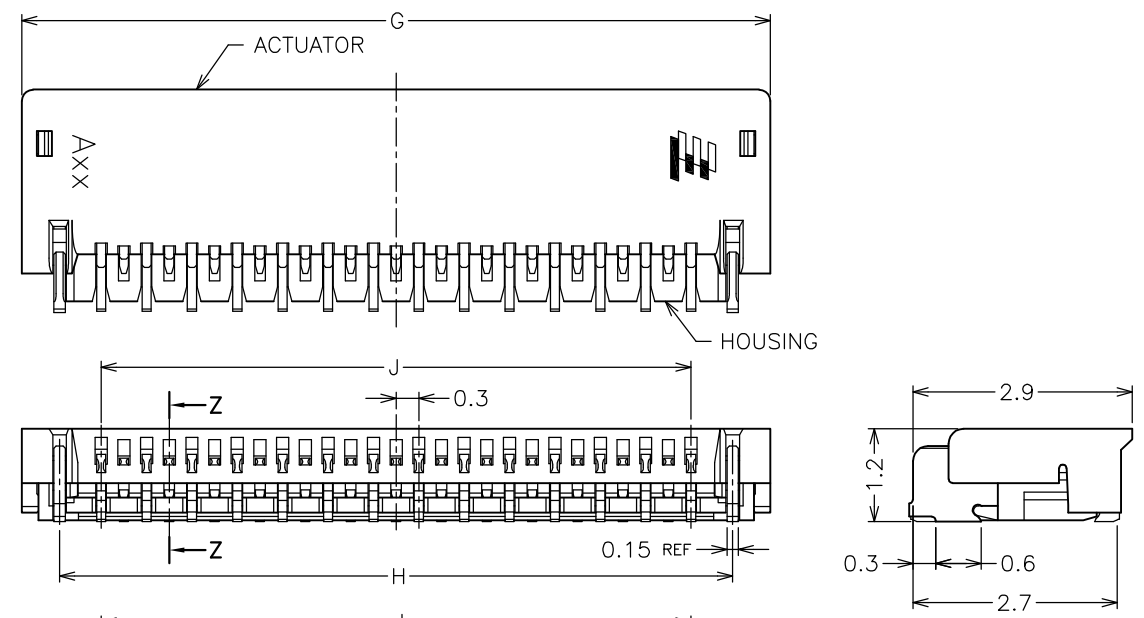
SIZE A3 CAGE CODE 00779 DRAWING NO C-2013496 RESTRICTED TO —

MATERIAL SEE NOTE 3 FINISH SEE NOTE 4 WEIGHT SEE TABLE

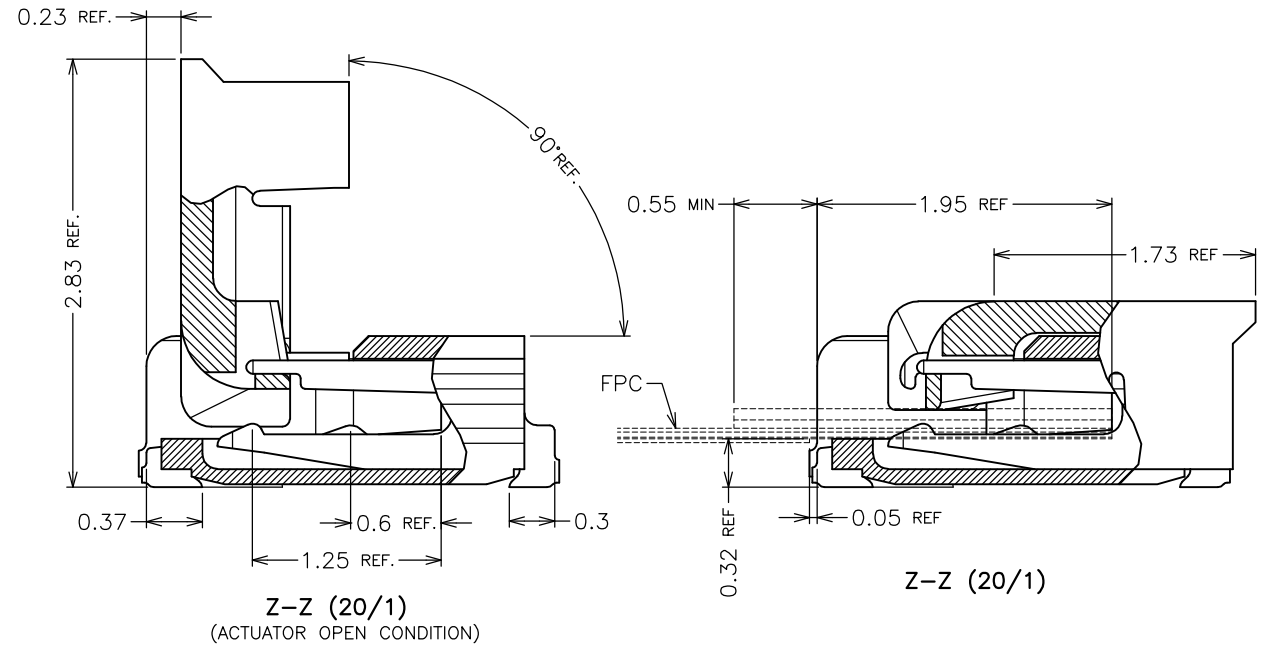
CUSTOMER DRAWING SCALE 10:1 SHEET 1 OF 2 REV E

THIS DRAWING IS UNPUBLISHED. RELEASED FOR PUBLICATION
 © COPYRIGHT - By - ALL RIGHTS RESERVED.

LOC	DIST	REVISIONS					
J	-	P	LTR	DESCRIPTION	DATE	DWN	APVD
		-		SEE SHEET 1	-	-	-

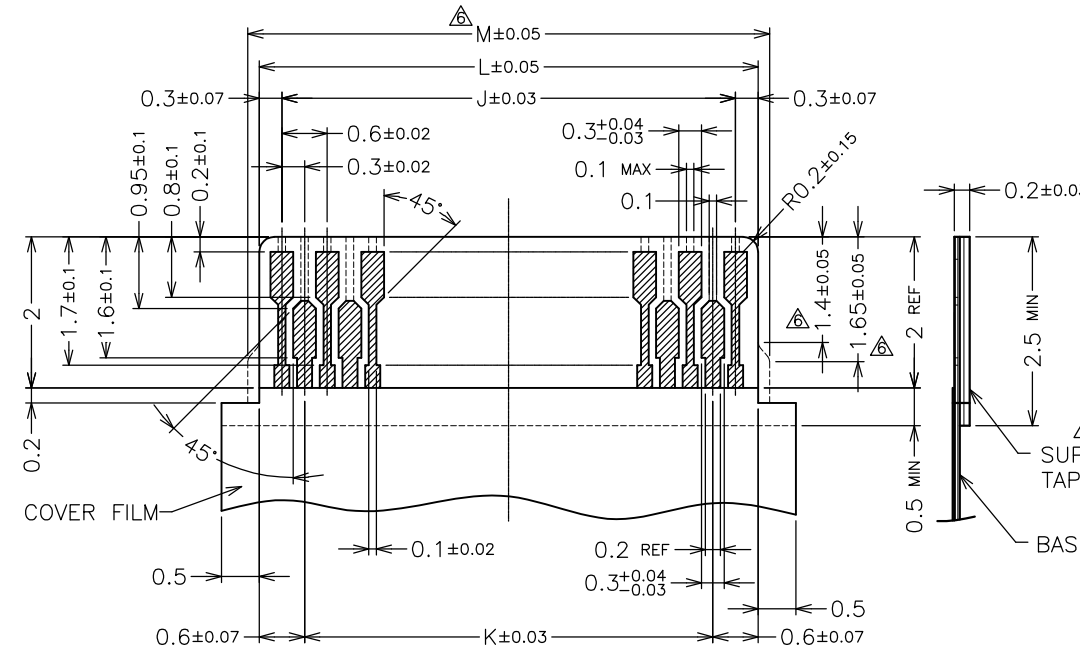


RECOMMENDED PCB PATTERN DIMENSION



Z-Z (20/1)
(ACTUATOR OPEN CONDITION)

Z-Z (20/1)



RECOMMENDED FPC PATTERN DIMENSION
 CONDUCTOR : GOLD OVER NICKEL PLATING (Au 0.1μm MIN.)

3. MATERIAL
 HOUSING : GRASS FULLED LCP, UL94V-0 (COLOR : NATURAL)
 ACTUATOR : GRASS FULLED PPS, UL94V-0 (COLOR : BLACK)
 FRONT CONTACT : COPPER ALLOY
 REAR CONTACT : COPPER ALLOY
 SOLDER PEG : COPPER ALLOY
4. FINISH
 FRONT CONTACT : GOLD OVER NICKEL PLATING
 REAR CONTACT : GOLD OVER NICKEL PLATING
 SOLDER PEG : TIN OVER NICKEL PLATING
5. THIS PRODUCT IS THE NICKEL DAM TYPE.
 DIM.M IS APPLIED BELOW 25PINS.
 THE SUPPORTING TAPE OF FPC IS RECOMMENDED TO USE THE POLYIMIDE OR THE EQUIVALENT MATERIAL OF THE THICKNESS OF 50μm OR MORE.

3. 材質
 ハウジング : ガラス繊維入りLCP樹脂 UL94V-0 (色:乳白色)
 アクチュエーター : ガラス繊維入りPPS樹脂 UL94V-0 (色:黒)
 フロントコンタクト : 銅合金
 リアコンタクト : 銅合金
 ソルダーペグ : 銅合金
4. めっき
 フロントコンタクト : 金めっき (ニッケル下地めっき)
 リアコンタクト : 金めっき (ニッケル下地めっき)
 ソルダーペグ : スズめっき (ニッケル下地めっき)
5. 本品は、Niダム仕様のコネクタである。
 DIM.Mは、25POS.以下に適用。
 FPCの補強板には、厚さ50μm以上のポリイミドまたは相当材の使用を推奨する。

—	15.6	14.4	15.0	16.1	17.1	51	2-2013496-4
—	13.8	12.6	13.2	14.3	15.3	45	1-2013496-8
—	12.6	11.4	12.0	13.1	14.1	41	1-2013496-6
—	12.0	10.8	11.4	12.5	13.5	39	1-2013496-5
—	9.6	8.4	9.0	10.1	11.1	31	1-2013496-1
—	9.0	7.8	8.4	9.5	10.5	29	1-2013496-0
—	8.4	7.2	7.8	8.9	9.9	27	2013496-9
6.9	6.6	5.4	6.0	7.1	8.1	21	2013496-6
M	L	K	J	H	G	POS.	CONN. PART No.

THIS DRAWING IS A CONTROLLED DOCUMENT.

DIMENSIONS: mm

TOLERANCES UNLESS OTHERWISE SPECIFIED:
 0 PLC ± 0.3
 1 PLC ± 0.3
 2 PLC ± 0.3
 3 PLC ± 0.3
 4 PLC ± 0.3
 ANGLES ± 3°

MATERIAL: SEE NOTE 3

FINISH: SEE NOTE 4

STE TE Connectivity

0.3FPC Narrow BF-L-1.2H
 1.2mmH, 2.9mmW, GOLD PLATE

SIZE: A3 CAGE CODE: 00779 DRAWING NO: C-2013496 RESTRICTED TO: —

SCALE: 10:1 SHEET: 2 OF 2 REV: E