



Chipsmall Limited consists of a professional team with an average of over 10 year of expertise in the distribution of electronic components. Based in Hongkong, we have already established firm and mutual-benefit business relationships with customers from,Europe,America and south Asia,supplying obsolete and hard-to-find components to meet their specific needs.

With the principle of “Quality Parts,Customers Priority,Honest Operation,and Considerate Service”,our business mainly focus on the distribution of electronic components. Line cards we deal with include Microchip,ALPS,ROHM,Xilinx,Pulse,ON,Everlight and Freescale. Main products comprise IC,Modules,Potentiometer,IC Socket,Relay,Connector.Our parts cover such applications as commercial,industrial, and automotives areas.

We are looking forward to setting up business relationship with you and hope to provide you with the best service and solution. Let us make a better world for our industry!



Contact us

Tel: +86-755-8981 8866 Fax: +86-755-8427 6832

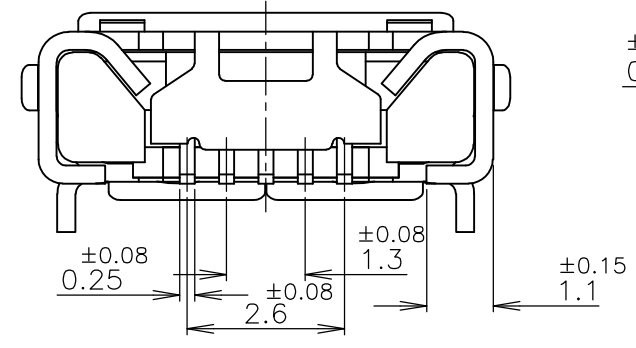
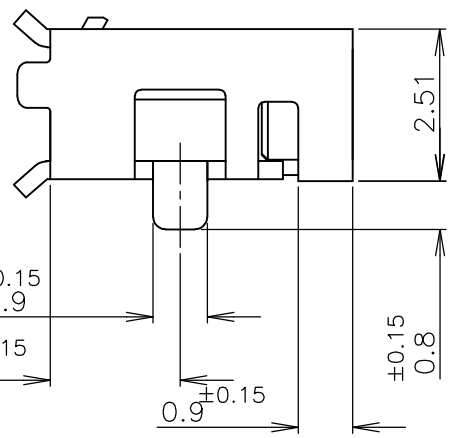
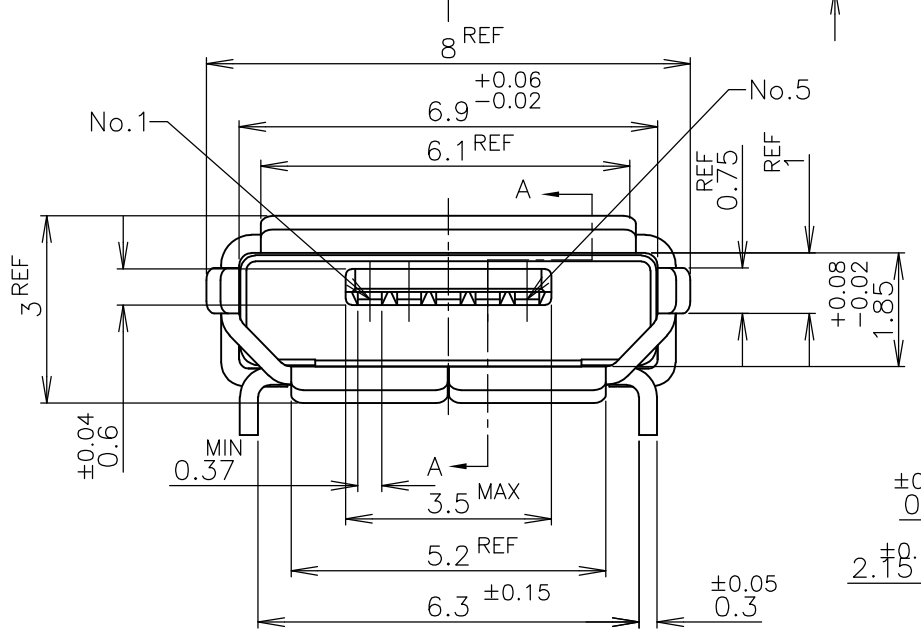
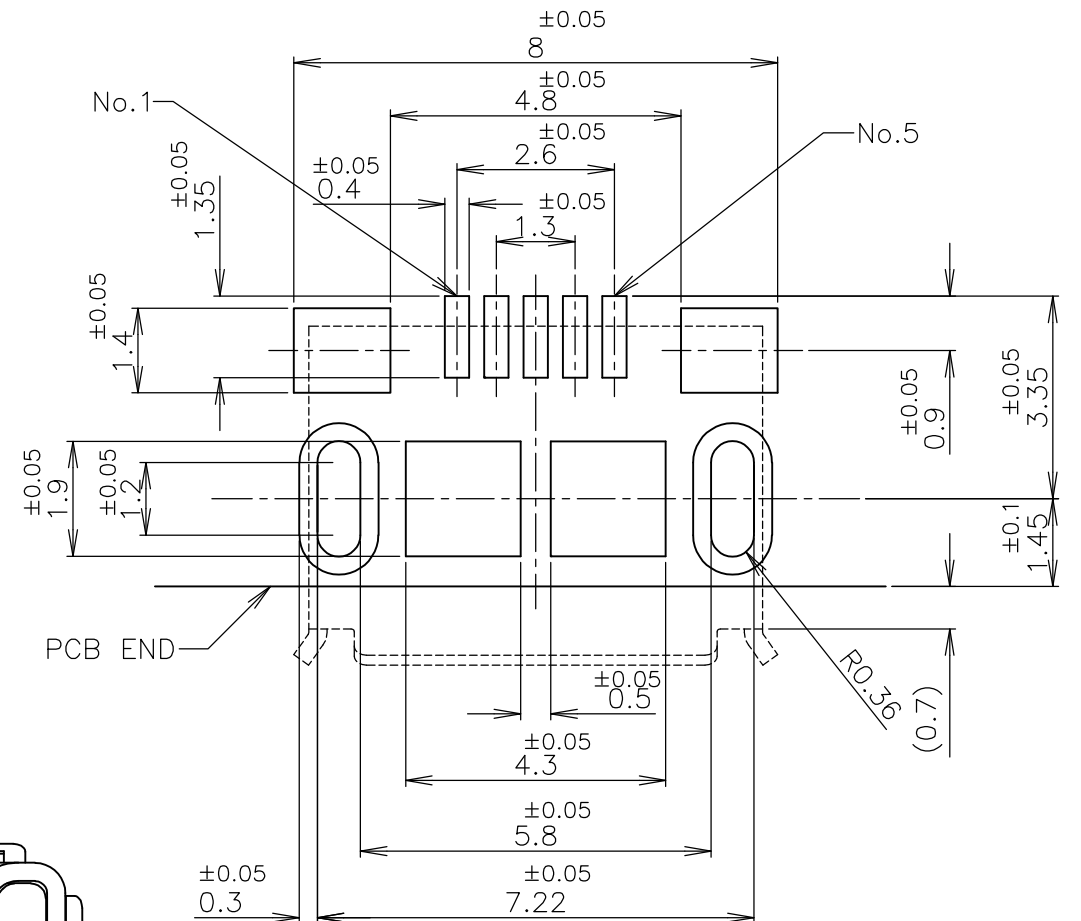
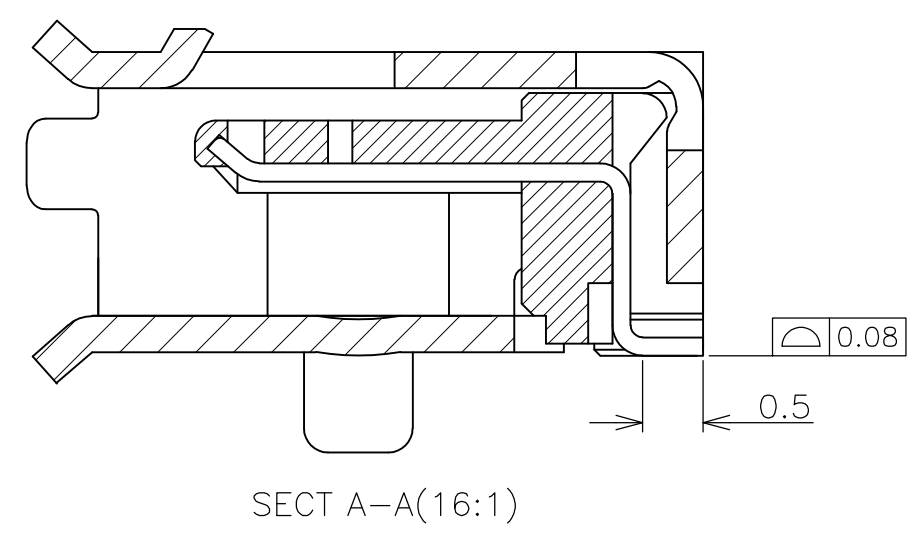
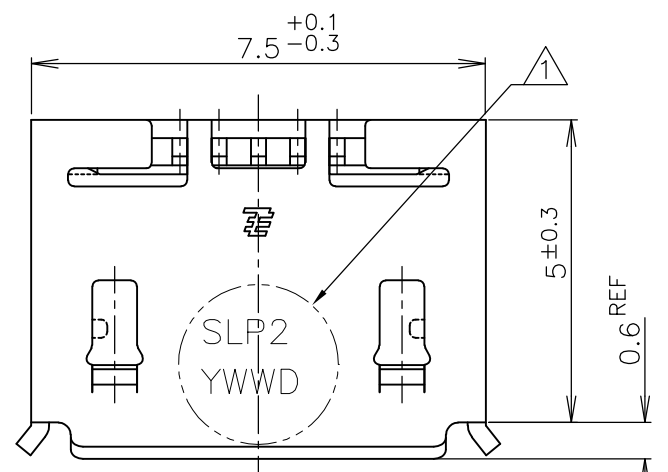
Email & Skype: info@chipsmall.com Web: www.chipsmall.com

Address: A1208, Overseas Decoration Building, #122 Zhenhua RD., Futian, Shenzhen, China


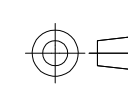


THIS DRAWING IS UNPUBLISHED. RELEASED FOR PUBLICATION MAY, 2007.
 © COPYRIGHT 2007 By - ALL RIGHTS RESERVED.

LOC	DIST	REVISIONS					
J	/	P	LTR	DESCRIPTION	DATE	DWN	APVD
		B2		REVISED PER ECO-11-005030	11MAR11	RK	HMR



- △ DATE CODE MARKING
- 2. OVERALL TOLERANCE: ±0.2
- 3. MATERIAL HOUSING : THERMOPLASTIC RESIN UL94V-0
CONTACT : COPPER ALLOY
SHELL : STAINLESS STEEL
- 4. FINISH CONTACT : Ni UNDER PL
Au PL OVER Ni PL AT CONTACT AREA
SHELL : Ni UNDER PL
Sn PL

THIS DRAWING IS A CONTROLLED DOCUMENT.		DWN J.TSUJI 22OCT2007	 TE Connectivity	
DIMENSIONS: 单位: 耗 MM TOLERANCES UNLESS OTHERWISE SPECIFIED: 一般公差 0 PLC ± 0.2 1 PLC ± 0.2 2 PLC ± 0.2 3 PLC ± 0.2 4 PLC ± 0.2 ANGLES ± 10		CHK T.KUSUHARA 22OCT2007		
		APVD T.KUSUHARA 22OCT2007	MICRO USB RECEPTACLE DIP TYPE B ASSY	
MATERIAL 材料		PRODUCT SPEC 製品規格 108-78434	SIZE A3	CAGE CODE 00779
FINISH 仕上		APPLICATION SPEC 取付適用規格	DRAWING NO 番号 C-2013499	RESTRICTED TO -
2013499-1		WEIGHT	SCALE 尺度 8:1	
PART NUMBER		CUSTOMER DRAWING		SHEET 1 OF 2
				REV B2

4

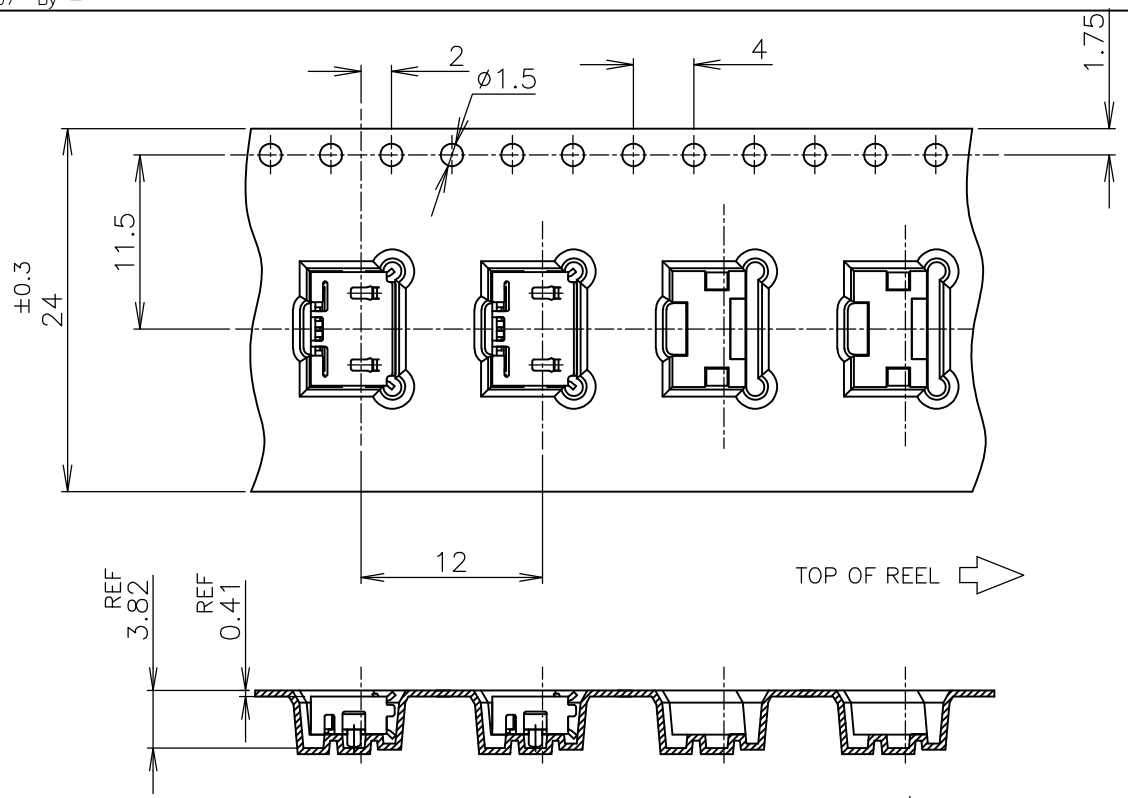
3

2

1

THIS DRAWING IS UNPUBLISHED. RELEASED FOR PUBLICATION JAN , 2007.
 © COPYRIGHT 2007 By - ALL RIGHTS RESERVED.

LOC	DIST	REVISIONS		
J	/	P	LTR	DESCRIPTION
				DATE
				DWN
				APVD
		-	SEE SHEET 1	-



D

D

C

C

B

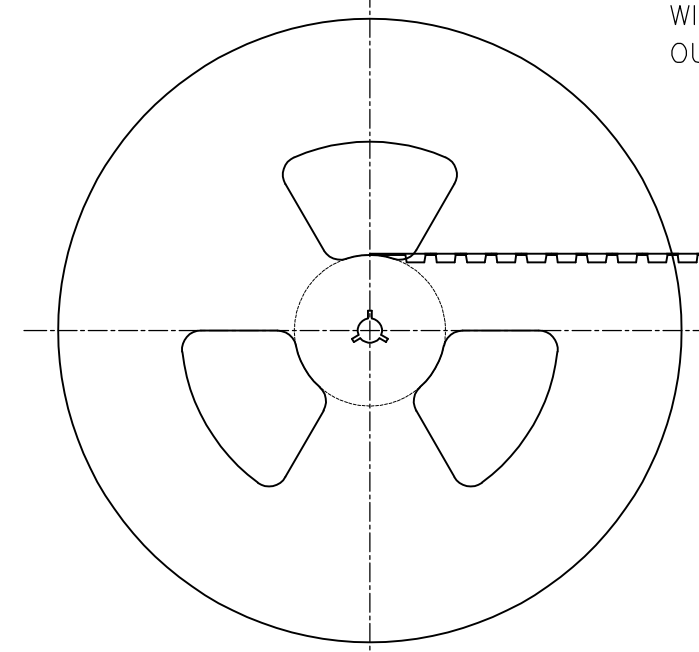
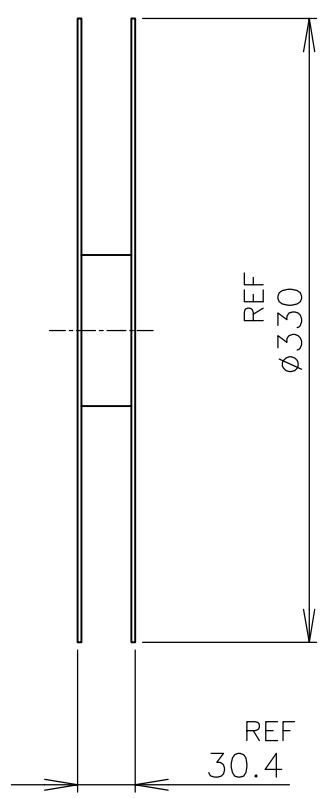
B

A

A

カバーテープリーダー部
 外周1巻
 WIDE COVER TAPE AROUND
 OUT PERIPHERY 1 TURN

剥離強度 0.1-1.3N MAX(300±10mm/min)
 PEELING STRENGTH
 剥離強度 165~180°
 PEELING ANGLE



引き出し方向
 TOP OF REEL

1000個/リール
 1000EA/REEL

HOLES
 8穴

空部 WITHOUT CHARGE 300mm程度 APPROX
 製品装填部 WITH PRODUCT CHARGE
 空部 WITHOUT CHARGE 600mm程度 APPROX

THIS DRAWING IS A CONTROLLED DOCUMENT.		DWN	STE TE Connectivity		
DIMENSIONS: 単位: 耗 MM		CHK	NAME 名称		
TOLERANCES UNLESS OTHERWISE SPECIFIED: 一般公差		APVD	MICRO USB RECEPTACLE DIP TYPE B ASSY		
0 PLC ± 0.2		PRODUCT SPEC 製品規格		SIZE	RESTRICTED TO
1 PLC ± 0.2		APPLICATION SPEC 取付適用規格		CAGE CODE	
2 PLC ± 0.2		WEIGHT		DRAWING NO	
3 PLC ± 0.2		CUSTOMER DRAWING		番号	
4 PLC ± 0.2				SCALE	
ANGLES ± 10				尺度	
MATERIAL 材料				SHEET	
FINISH 仕上				2 OF 2	
				REV	
				B2	