



Chipsmall Limited consists of a professional team with an average of over 10 year of expertise in the distribution of electronic components. Based in Hongkong, we have already established firm and mutual-benefit business relationships with customers from,Europe,America and south Asia,supplying obsolete and hard-to-find components to meet their specific needs.

With the principle of “Quality Parts,Customers Priority,Honest Operation,and Considerate Service”,our business mainly focus on the distribution of electronic components. Line cards we deal with include Microchip,ALPS,ROHM,Xilinx,Pulse,ON,Everlight and Freescale. Main products comprise IC,Modules,Potentiometer,IC Socket,Relay,Connector.Our parts cover such applications as commercial,industrial, and automotives areas.

We are looking forward to setting up business relationship with you and hope to provide you with the best service and solution. Let us make a better world for our industry!



Contact us

Tel: +86-755-8981 8866 Fax: +86-755-8427 6832

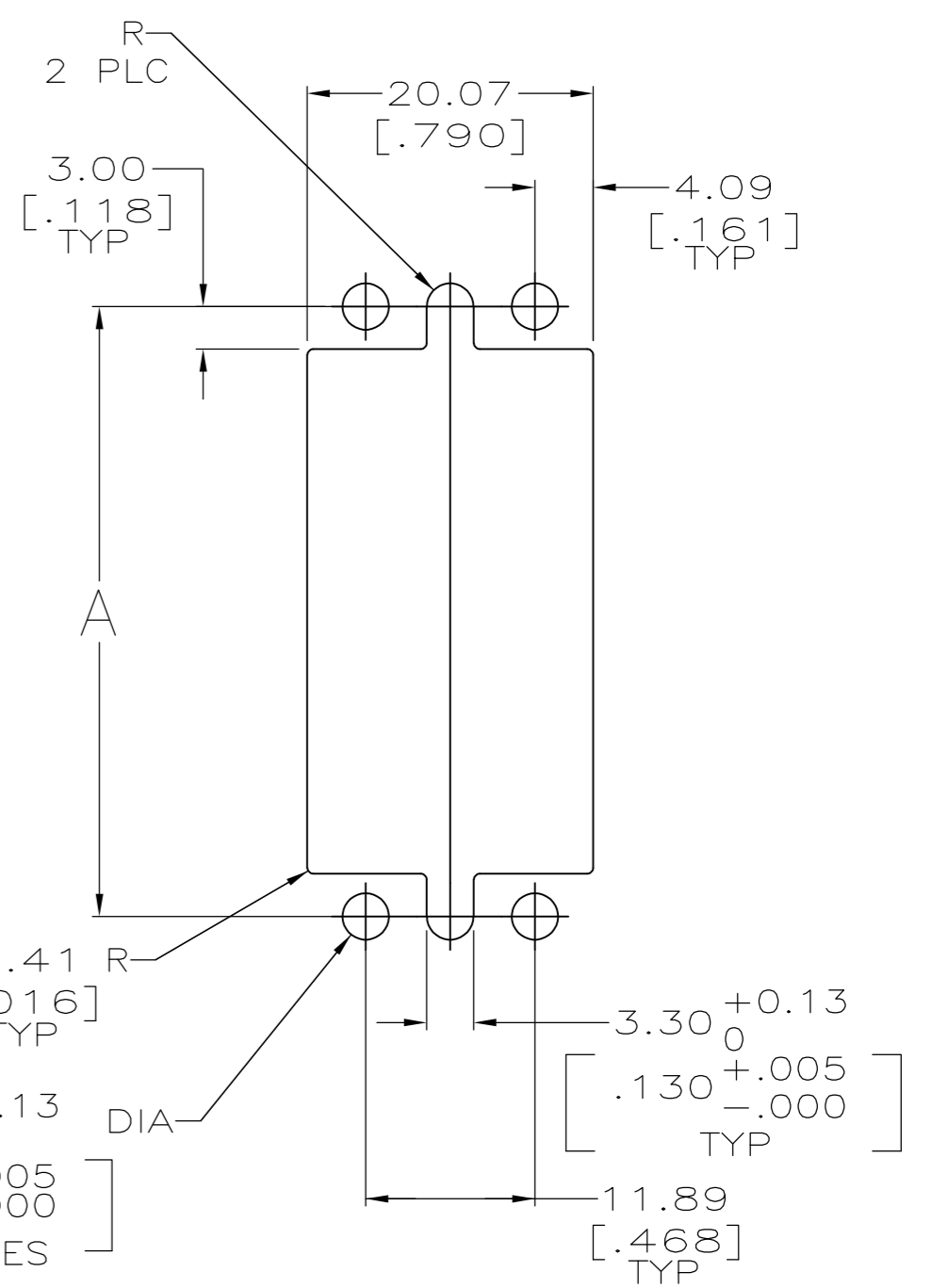
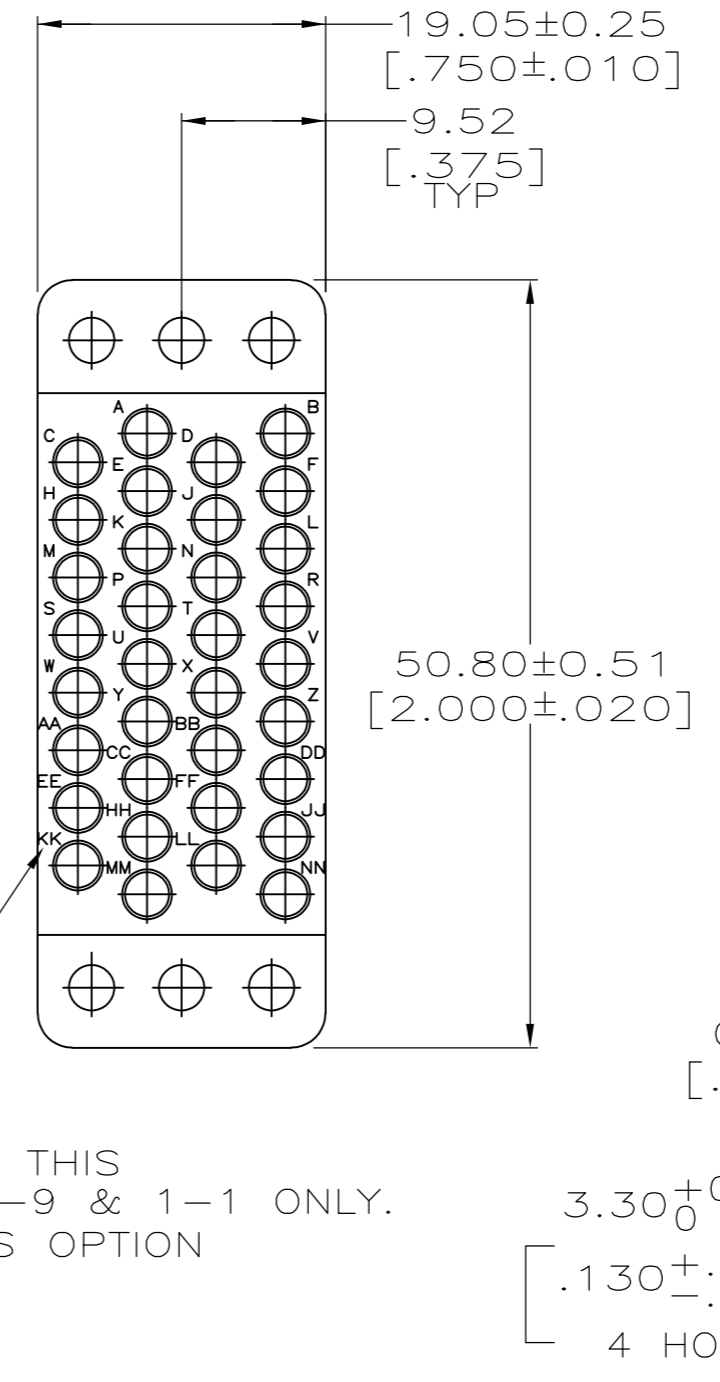
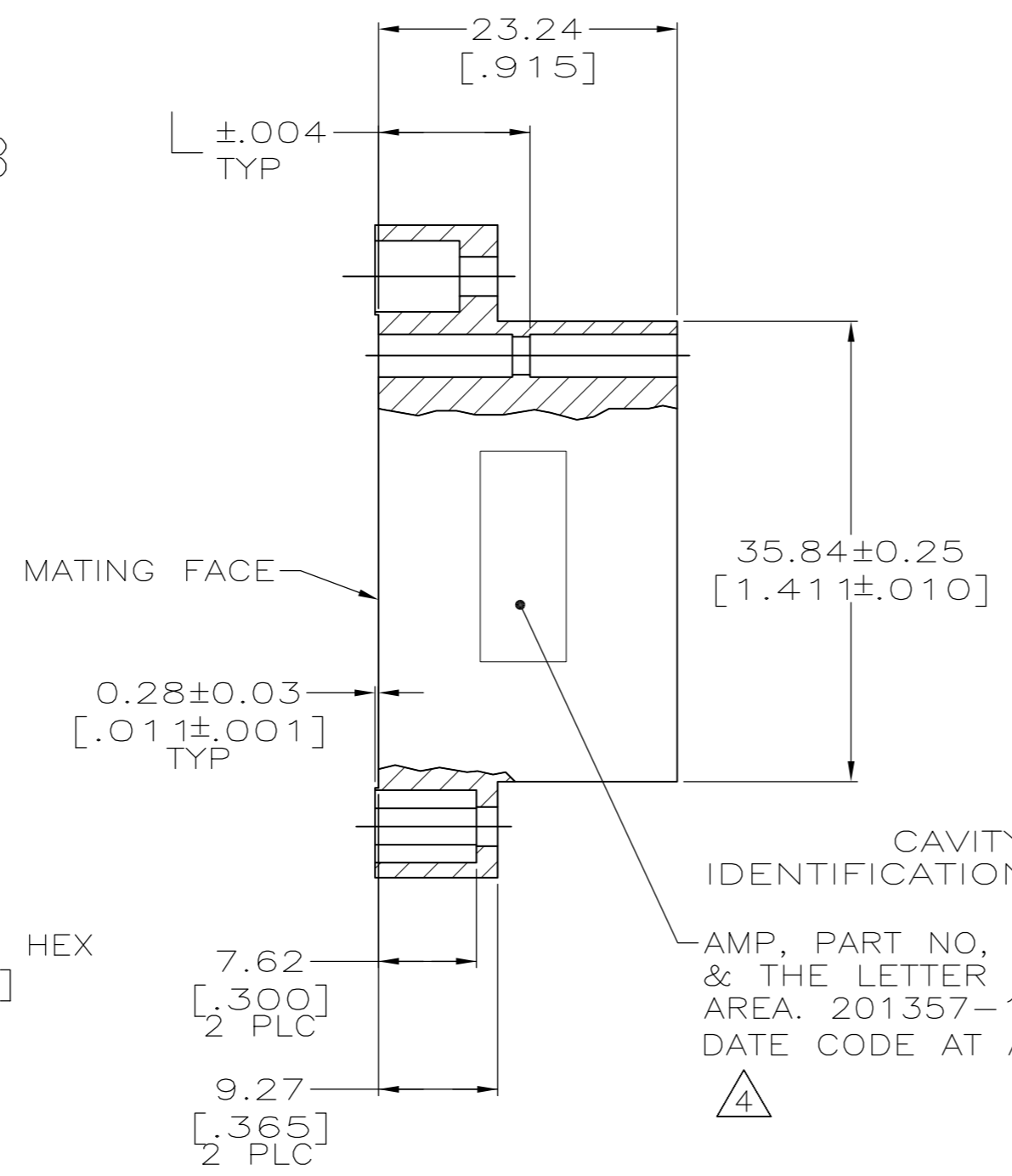
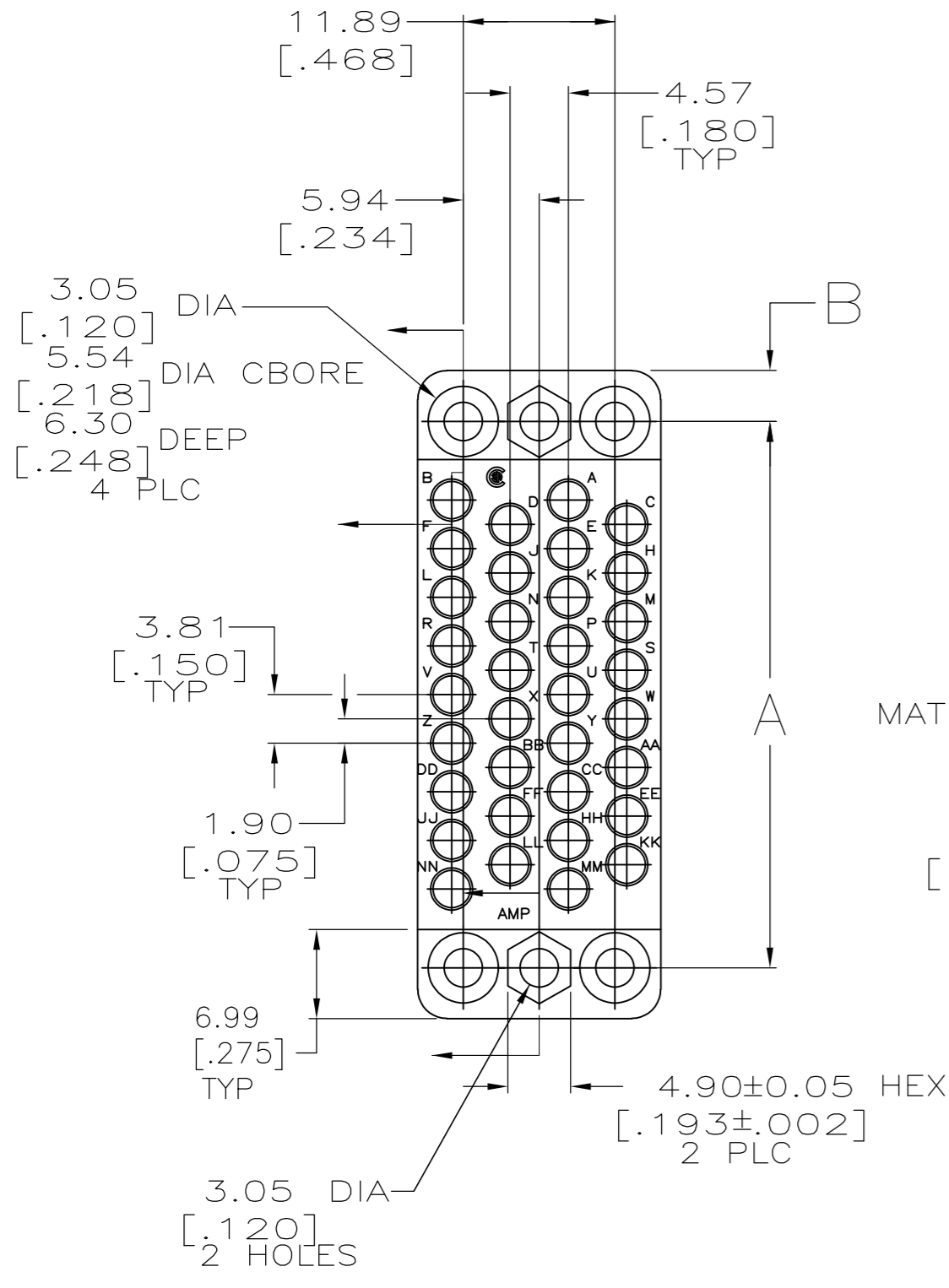
Email & Skype: info@chipsmall.com Web: www.chipsmall.com

Address: A1208, Overseas Decoration Building, #122 Zhenhua RD., Futian, Shenzhen, China



THIS DRAWING IS UNPUBLISHED. RELEASED FOR PUBLICATION
 © COPYRIGHT - By - ALL RIGHTS RESERVED.

LOC		DIST		REVISIONS			
P	LTR	DESCRIPTION	DATE	DWN	APVD		
FT	0						
	T2	REVISED PER ECO-11-005027	11MAR11	RK	HMR		



RECOMMENDED PANEL CUTOUT

- ① PHENOLIC, BLACK.
- ② DIALYL PHTHALATE, BLUE.
- 3. MATES WITH BLOCK 200838 & ACCOMMODATES TYPE II OR TYPE III #16 PIN OR SOCKET CONTACTS. EXCEPT FOR 201357-1, WHICH ACCEPTS ONLY PIN CONTACTS.
- ④ FOR 201357-9, KS 21303 L9 MARKED IN ADDITION TO THE AMP PART NO.

14.07 [.554]	3.99 [.157]	42.82 [1.686]	①	1-201357-1
14.07 [.554]	3.99 [.157]	42.82 [1.686]	①	1-201357-0
14.07 [.554]	3.86 [.152]	43.08 [1.696]	②	201357-9
14.07 [.554]	3.86 [.152]	43.08 [1.696]	②	201357-3
11.79 [.464]	3.99 [.157]	42.82 [1.686]	①	201357-1
L	B	A	MATERIAL	PART NUMBER

THIS DRAWING IS A CONTROLLED DOCUMENT.		DWN	01/31/92	STE TE Connectivity	
		L.SIPE	2-4-92		
DIMENSIONS: mm [INCHES]		CHK	R.STONE	34 POSITION MINIATURE RECTANGULAR MALE BLOCK, M SERIES	
TOLERANCES UNLESS OTHERWISE SPECIFIED:		APVD	-		
0 PLC ± -		PRODUCT SPEC	-	SIZE CAGE CODE DRAWING NO RESTRICTED TO	
1 PLC ± -		APPLICATION SPEC	-		
2 PLC ± 0.13 [.005]		WEIGHT	-	A2	00779
3 PLC ± -		CUSTOMER DRAWING		C=201357	
4 PLC ± -		SCALE	2:1	SHEET	1 of 1
ANGLES ± -		REV	T2		
FINISH -					