



Chipsmall Limited consists of a professional team with an average of over 10 year of expertise in the distribution of electronic components. Based in Hongkong, we have already established firm and mutual-benefit business relationships with customers from,Europe,America and south Asia,supplying obsolete and hard-to-find components to meet their specific needs.

With the principle of “Quality Parts,Customers Priority,Honest Operation,and Considerate Service”,our business mainly focus on the distribution of electronic components. Line cards we deal with include Microchip,ALPS,ROHM,Xilinx,Pulse,ON,Everlight and Freescale. Main products comprise IC,Modules,Potentiometer,IC Socket,Relay,Connector.Our parts cover such applications as commercial,industrial, and automotives areas.

We are looking forward to setting up business relationship with you and hope to provide you with the best service and solution. Let us make a better world for our industry!



## Contact us

Tel: +86-755-8981 8866 Fax: +86-755-8427 6832

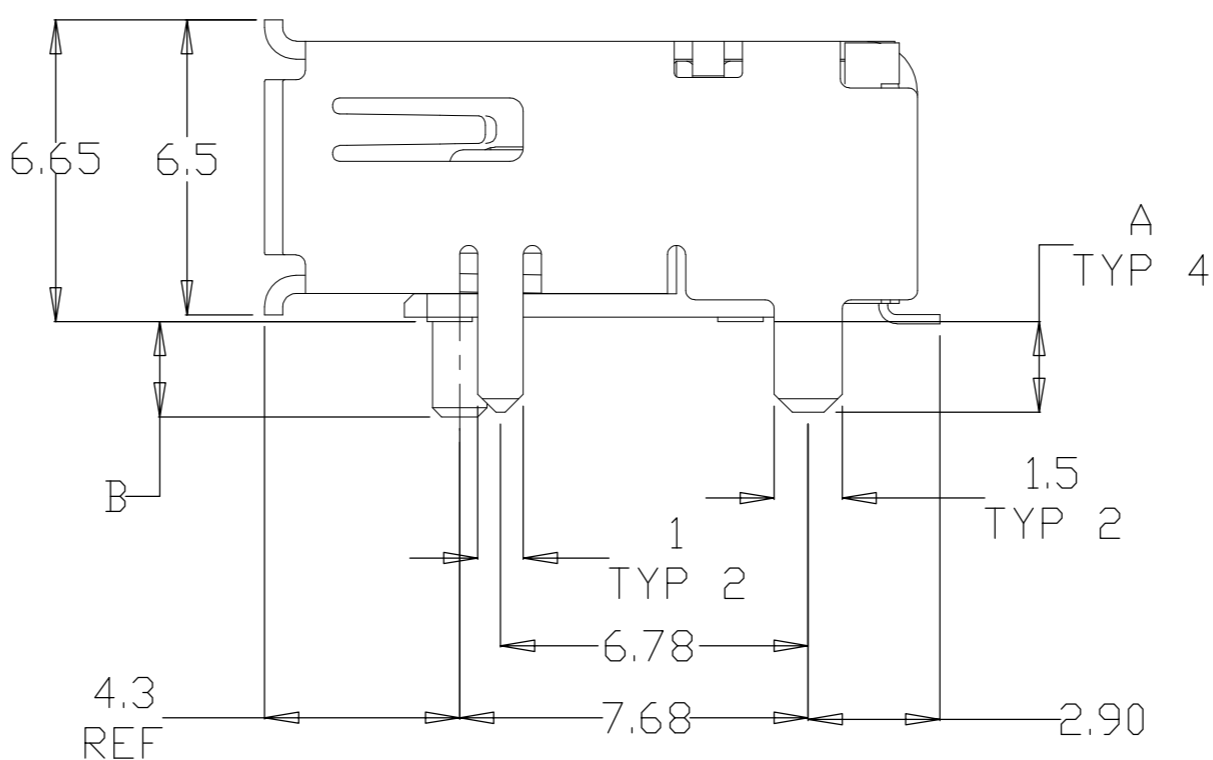
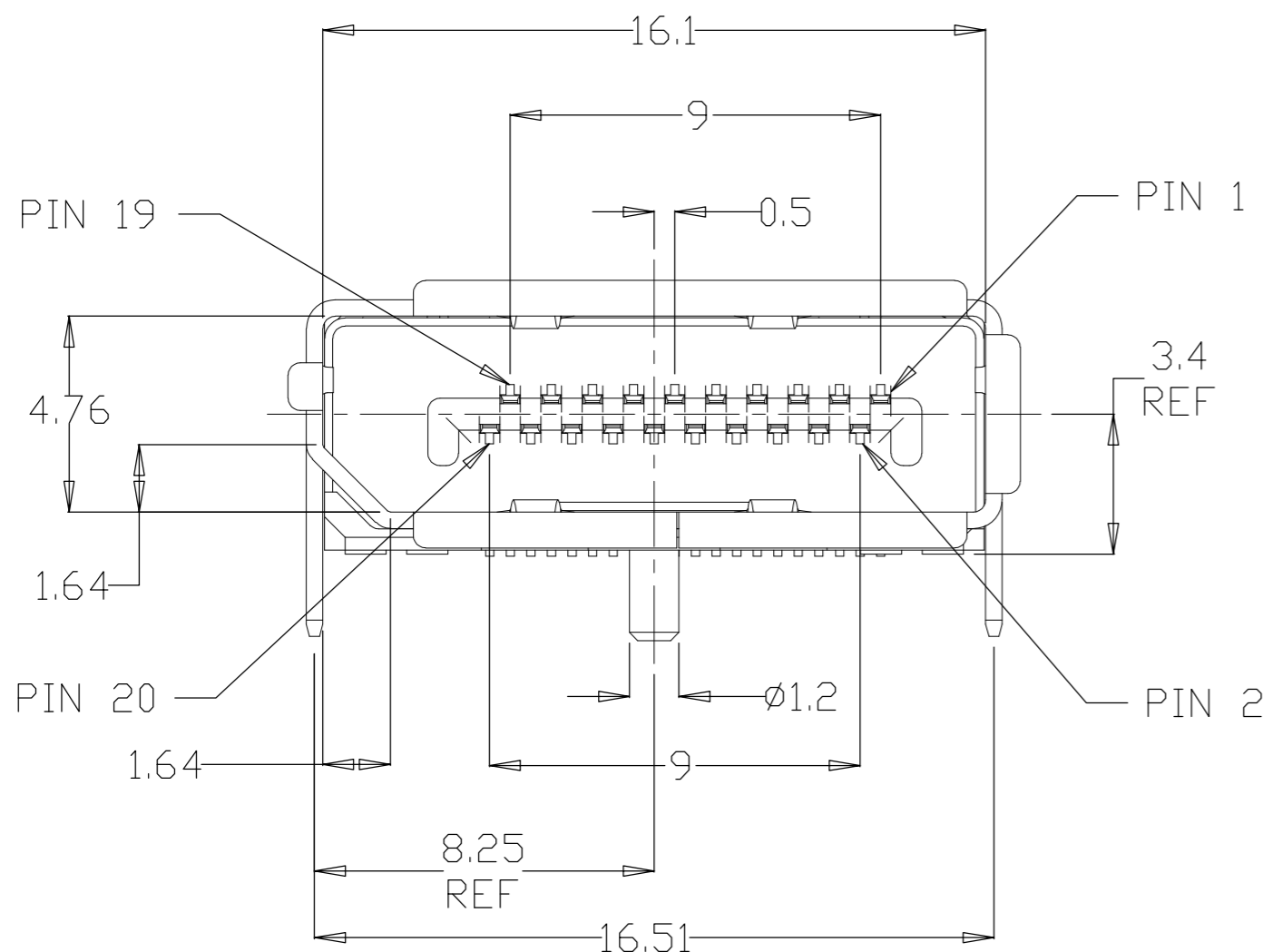
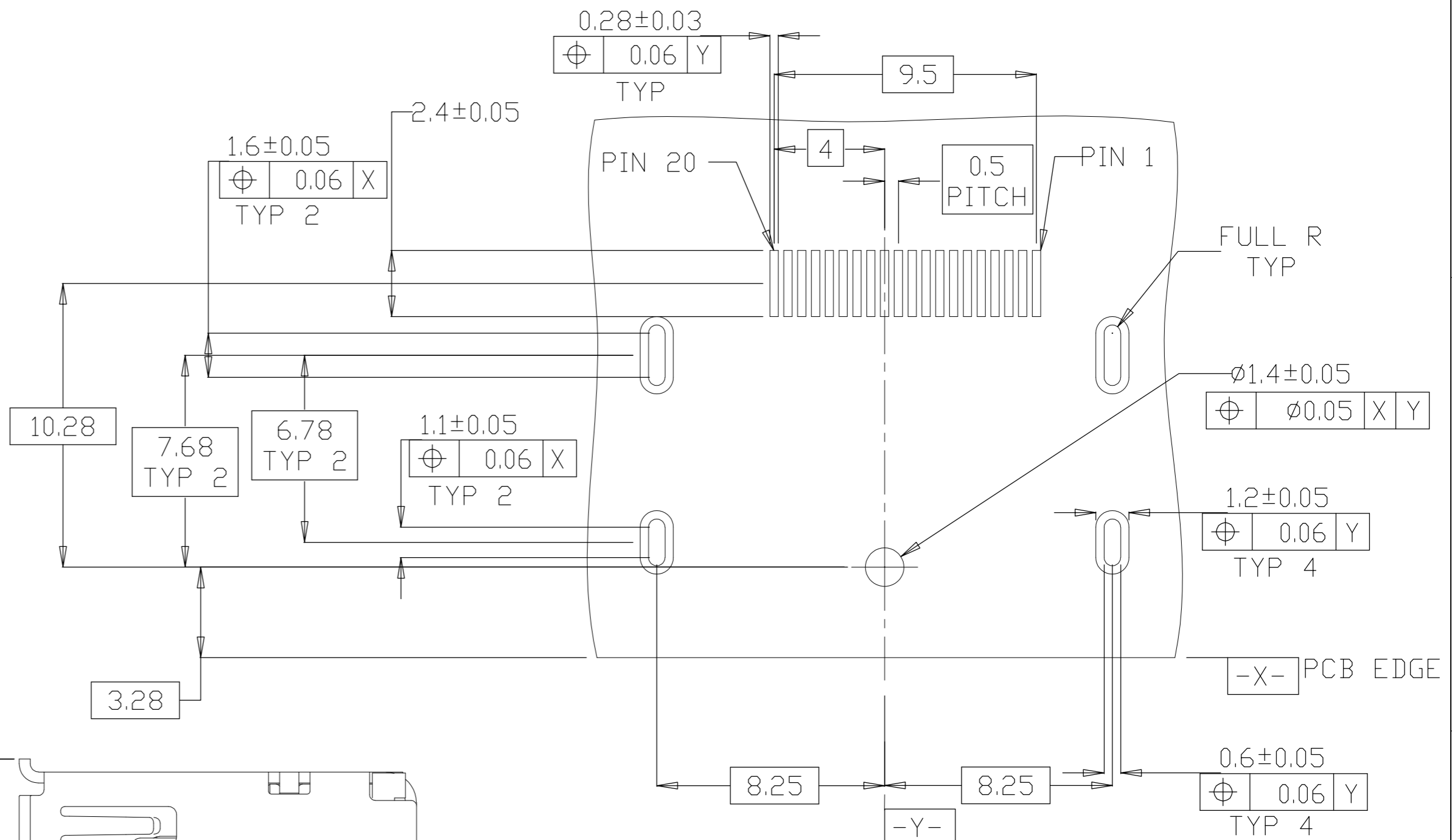
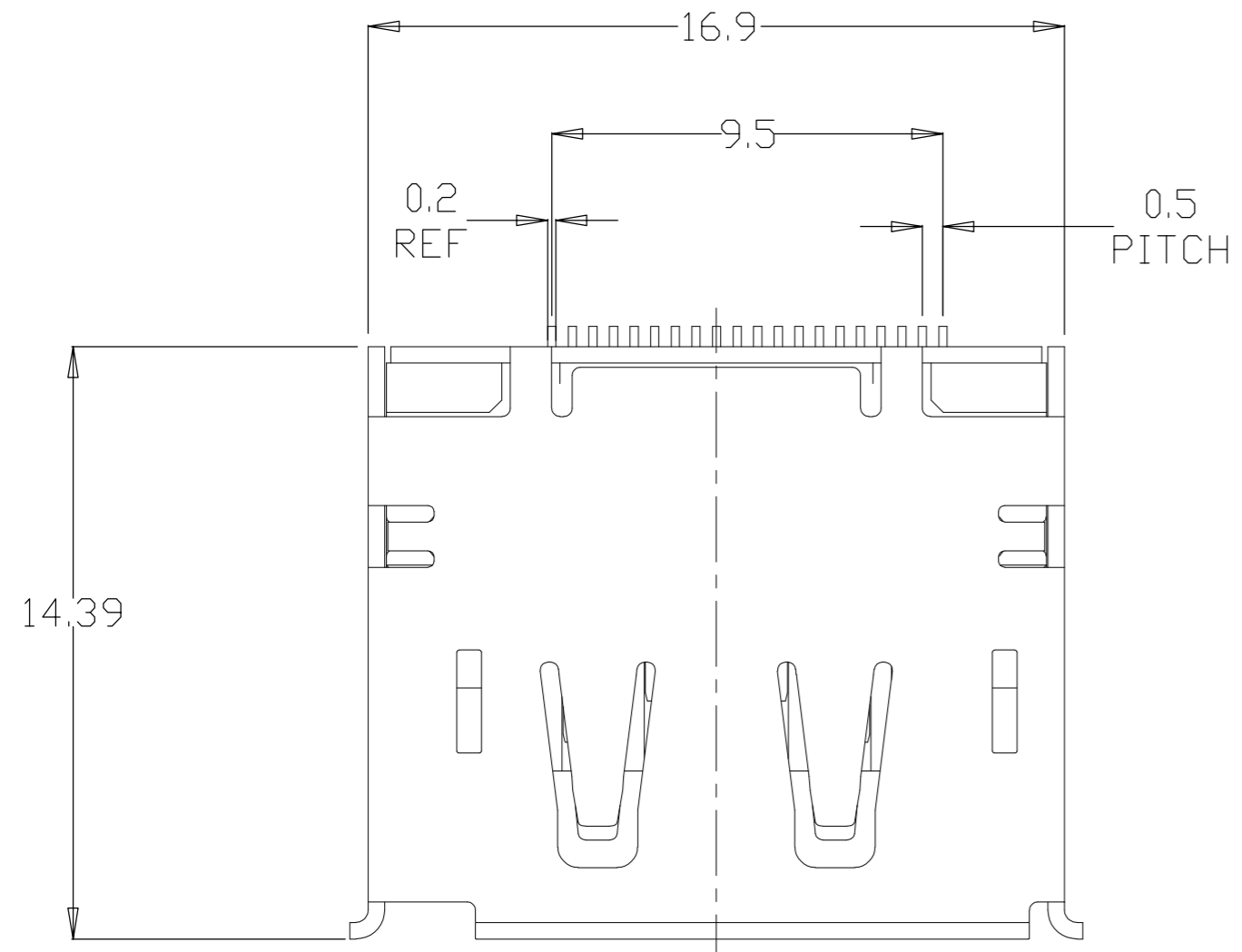
Email & Skype: info@chipsmall.com Web: www.chipsmall.com

Address: A1208, Overseas Decoration Building, #122 Zhenhua RD., Futian, Shenzhen, China

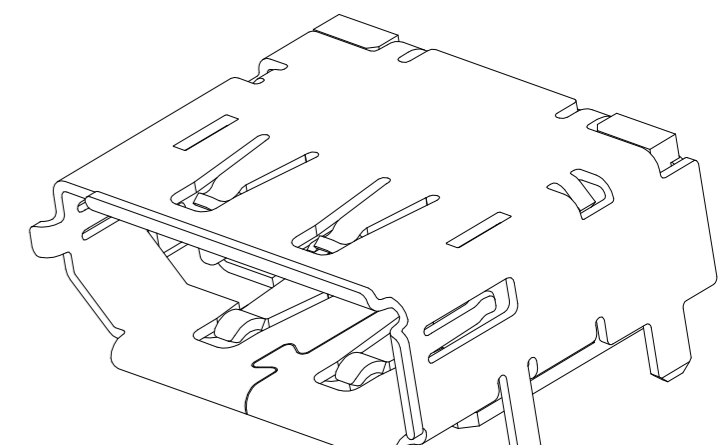


THIS DRAWING IS UNPUBLISHED. RELEASED FOR PUBLICATION  
 © COPYRIGHT By - ALL RIGHTS RESERVED.

LOC		DIST		REVISIONS			
P	LTR	DESCRIPTION		DATE	DWN	APVD	
J		A2	REVISED PER ECO-11-005030	11MAR11	RK	HMR	



RECOMMENDED PCB LAYOUT (THICKNESS=1.6±0.1)  
MOUNTING SIDE



- NOTES:
- MATERIAL:  
HOUSING: HIGH TEMPERATURE THERMAL PLASTIC, BLACK, UL94V-0.  
CONTACT: COPPER ALLOY.  
SHELL: COPPER ALLOY.
  - FINISH:  
CONTACT:  
CONTACT AREA: 0.76 MINIMUM MICRON GOLD PLATING OVER 1.27 MINIMUM MICRON NICKEL PLATING ALL  
SOLDER TAIL AREA: 2.54 MINIMUM MICRON TIN PLATING.  
SHELL: NICKEL PLATING SOLDERABILITY IS WORSE THAN MATT TIN PLATING IN SOME CONDITION.  
IN SUCH CASE, PLEASE SELECT MATT TIN PLATING.

MATT TIN	2.1	2	2013655-5
NICKEL	2.1	2	2013655-1
SHELL PLATING	DIM B	DIM A	PART NUMBER

P/N:2013655-1; AS SHOWN

THIS DRAWING IS A CONTROLLED DOCUMENT.		DWN	MARTIN LI	26MAY2007	 TE Connectivity RECEPTACLE ASSEMBLY EDP RA SMT STD STD
		CHK	MARTIN LI	26MAY2007	
		APVD	STEVEN YAO	26MAY2007	
		PRODUCT SPEC			
DIMENSIONS: mm		TOLERANCES UNLESS OTHERWISE SPECIFIED:		NAME	
		0 PLC	± 0.3	SIZE	
		1 PLC	± 0.3	CAGE CODE	
		2 PLC	± 0.3	DRAWING NO	
		3 PLC	± 0.3	RESTRICTED TO	
		4 PLC	± 0.3	A2 00779 C=2013655	
		ANGLES	± 2°	SCALE 4:1 SHEET 1 OF 2 REV A2	
MATERIAL		FINISH		CUSTOMER DRAWING	

4

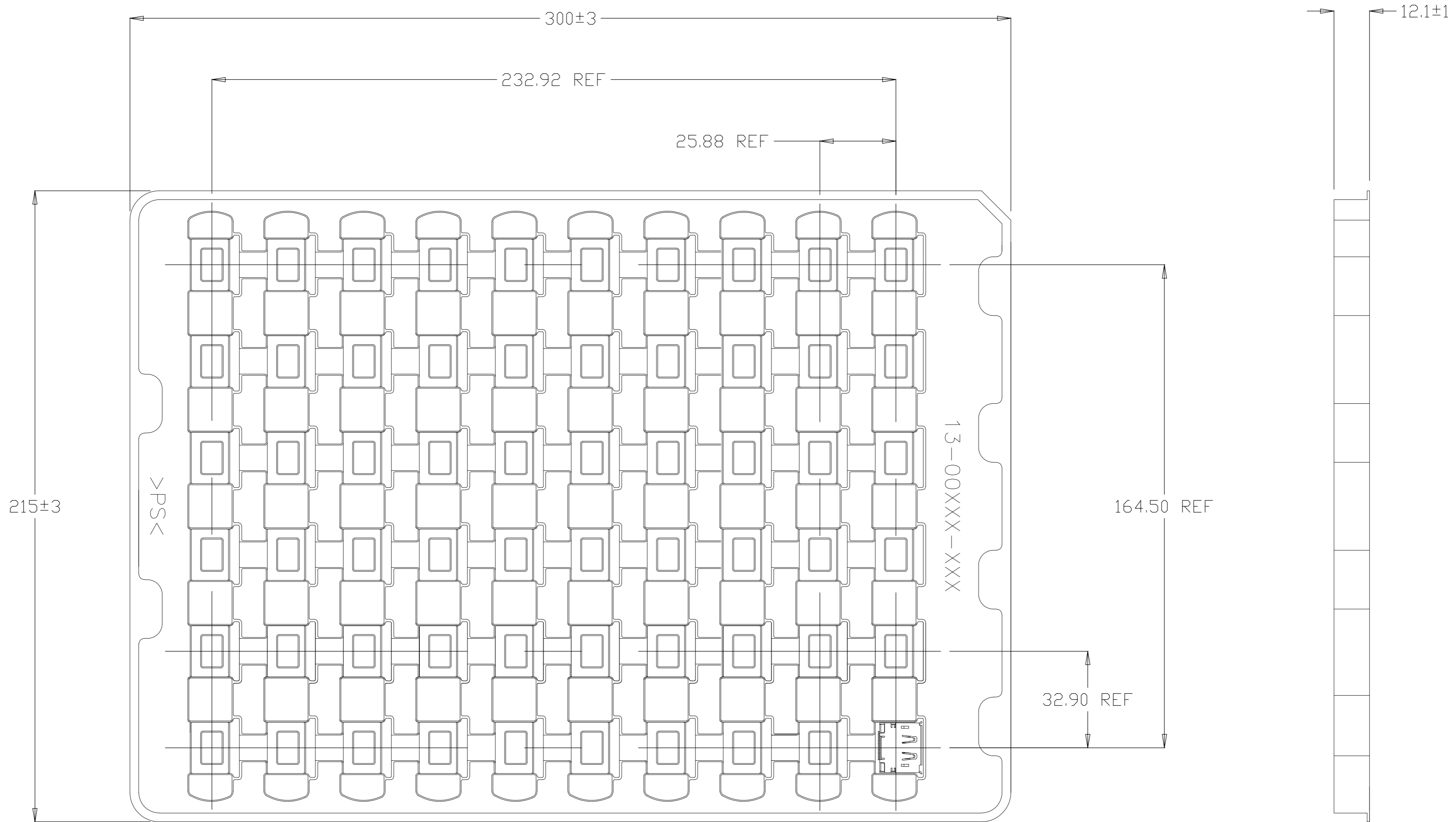
3

2

1

THIS DRAWING IS UNPUBLISHED. RELEASED FOR PUBLICATION  
 © COPYRIGHT By - ALL RIGHTS RESERVED.

LOC	DIST	REVISIONS					
J	-	P	LTR	DESCRIPTION	DATE	DWN	APVD
		-		SEE SHEET 1	-	-	-



PACKAGE TARY

THIS DRAWING IS A CONTROLLED DOCUMENT.		DWN		
DIMENSIONS: mm		CHK		
TOLERANCES UNLESS OTHERWISE SPECIFIED		APVD	NAME	
0 PLC ± 1 PLC ± 2 PLC ± 3 PLC ± 4 PLC ± ANGLES ± FINISH ±		PRODUCT SPEC	RECEPTACLE ASSEMBLY EDP RA SMT STD	
MATERIAL		APPLICATION SPEC	SIZE	CAGE CODE
		WEIGHT	A2	00779
		CUSTOMER DRAWING	DRAWING NO	RESTRICTED TO
			C=2013655	
		SCALE	SHEET	REV
		FREE	2 OF 2	A2