



Chipsmall Limited consists of a professional team with an average of over 10 year of expertise in the distribution of electronic components. Based in Hongkong, we have already established firm and mutual-benefit business relationships with customers from,Europe,America and south Asia,supplying obsolete and hard-to-find components to meet their specific needs.

With the principle of “Quality Parts,Customers Priority,Honest Operation,and Considerate Service”,our business mainly focus on the distribution of electronic components. Line cards we deal with include Microchip,ALPS,ROHM,Xilinx,Pulse,ON,Everlight and Freescale. Main products comprise IC,Modules,Potentiometer,IC Socket,Relay,Connector.Our parts cover such applications as commercial,industrial, and automotives areas.

We are looking forward to setting up business relationship with you and hope to provide you with the best service and solution. Let us make a better world for our industry!



Contact us

Tel: +86-755-8981 8866 Fax: +86-755-8427 6832

Email & Skype: info@chipsmall.com Web: www.chipsmall.com

Address: A1208, Overseas Decoration Building, #122 Zhenhua RD., Futian, Shenzhen, China



4

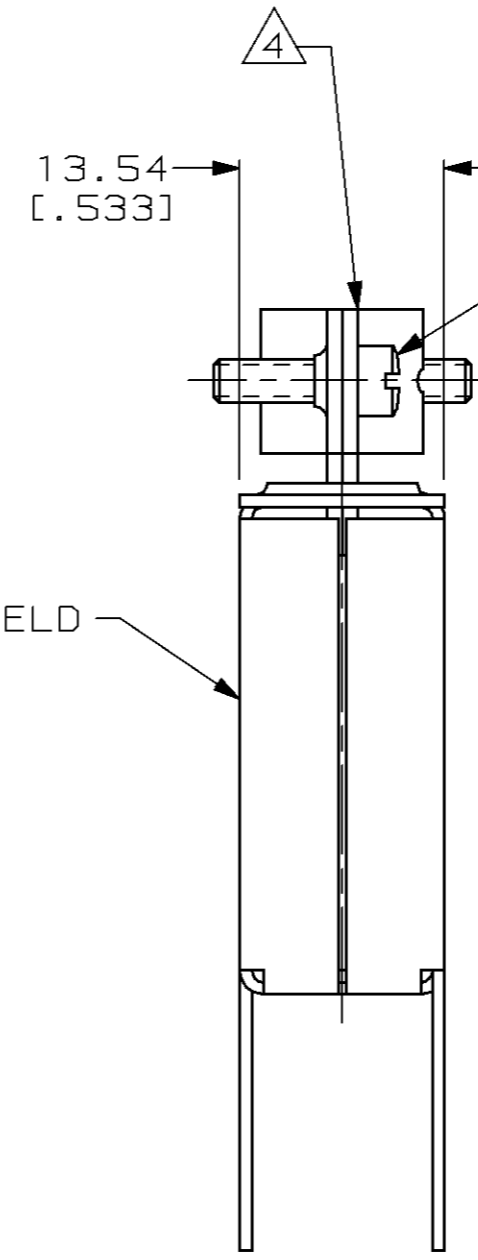
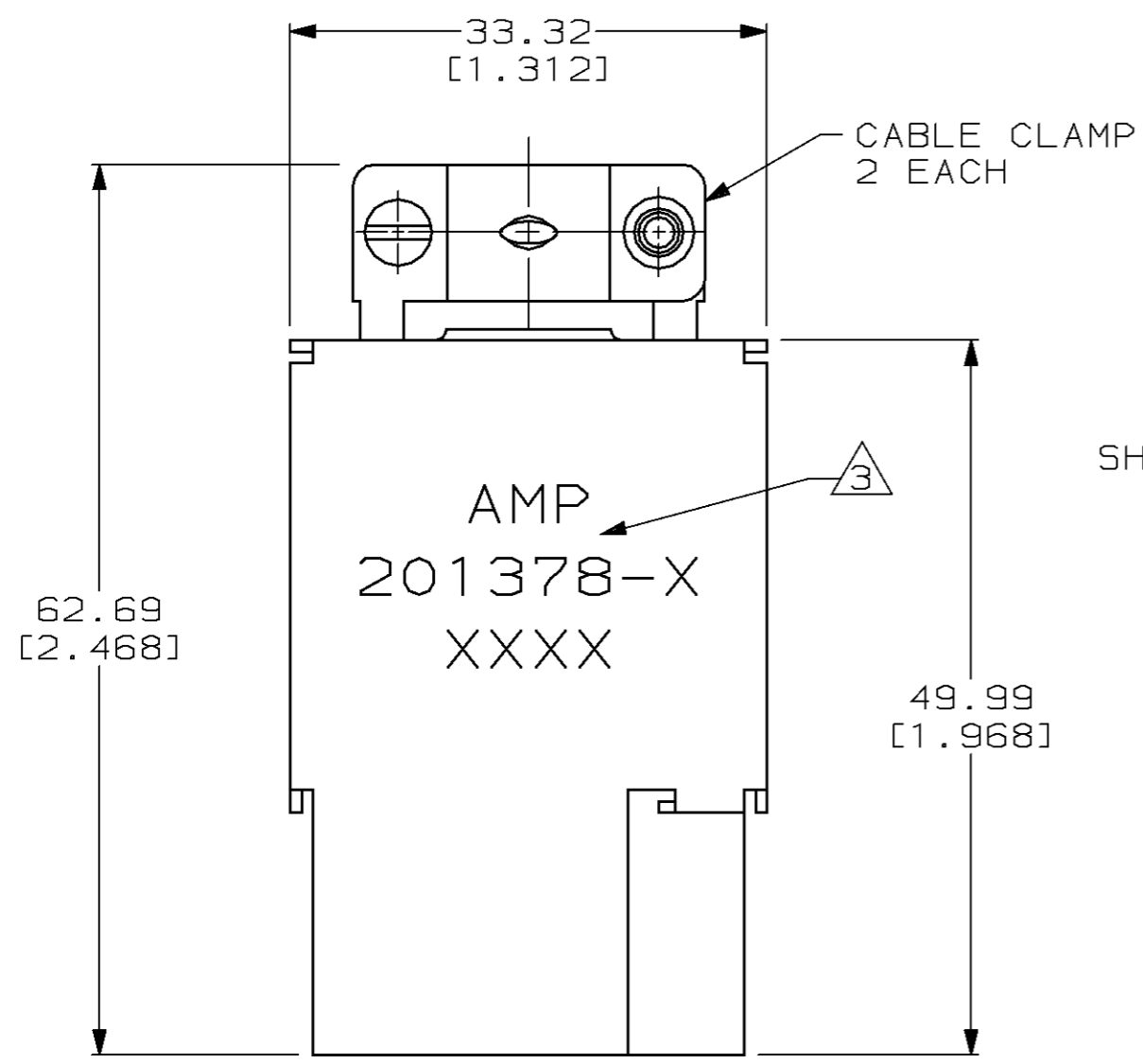
3

2

1

THIS DRAWING IS UNPUBLISHED. RELEASED FOR PUBLICATION ,19 .
 © COPYRIGHT 19 BY AMP INCORPORATED. ALL RIGHTS RESERVED.

LOC	DIST	REVISIONS			
P	LTR	DESCRIPTION	DATE	DWN	APVD
BD	36				
		K	REDRAWN WITHOUT CHANGE PER EC 0020-929-95	28 SEP 95	-



#4-40 UNC-2A SCREW
2 EACH

- 1 SHIELD, CABLE CLAMP, AND SCREWS: CARBON STEEL.
- 2 SHIELD AND CABLE CLAMP: NICKEL PLATED. SCREWS: ZINC PLATED.
- 3 STAMPED AMP, PART NUMBER, AND DATE CODE IN APPROXIMATE LOCATION SHOWN.
- 4 CLAMP AREA ACCEPTS 14 WIRES OF 1.78 [.070] MAX OUTSIDE DIAMETER.

201378-2
PART NUMBER

THIS DRAWING IS A CONTROLLED DOCUMENT FOR AMP INCORPORATED. IT IS SUBJECT TO CHANGE AND THE CONTROLLING ENGINEERING ORGANIZATION SHOULD BE CONTACTED FOR THE LATEST REVISION.		DWN K.FOLTZ 28 SEP 95	AMP AMP Incorporated Harrisburg, PA 17105-3608												
DIMENSIONS: mm [INCHES]		CHK R.STONE 28 SEP 95													
TOLERANCES UNLESS OTHERWISE SPECIFIED:		APVD G.STEINHAUER 03 OCT 95	NAME SHIELD KIT, UNASSEMBLED, LONG, 14 PLACE, M SERIES												
<table border="0"> <tr><td>0 PLC</td><td>±-</td></tr> <tr><td>1 PLC</td><td>±-</td></tr> <tr><td>2 PLC</td><td>±0.38 [.015]</td></tr> <tr><td>3 PLC</td><td>±-</td></tr> <tr><td>4 PLC</td><td>±-</td></tr> <tr><td>ANGLES</td><td>±-</td></tr> </table>		0 PLC	±-	1 PLC	±-	2 PLC	±0.38 [.015]	3 PLC	±-	4 PLC	±-	ANGLES	±-	PRODUCT SPEC -	SIZE A3
0 PLC	±-														
1 PLC	±-														
2 PLC	±0.38 [.015]														
3 PLC	±-														
4 PLC	±-														
ANGLES	±-														
MATERIAL 1	FINISH 2	APPLICATION SPEC -	CAGE CODE 00779												
		WEIGHT -	DRAWING NO C-201378												
		CUSTOMER DRAWING	SCALE 2:1 SHEET 1 OF 1 REV K												