



Chipsmall Limited consists of a professional team with an average of over 10 year of expertise in the distribution of electronic components. Based in Hongkong, we have already established firm and mutual-benefit business relationships with customers from,Europe,America and south Asia,supplying obsolete and hard-to-find components to meet their specific needs.

With the principle of “Quality Parts,Customers Priority,Honest Operation,and Considerate Service”,our business mainly focus on the distribution of electronic components. Line cards we deal with include Microchip,ALPS,ROHM,Xilinx,Pulse,ON,Everlight and Freescale. Main products comprise IC,Modules,Potentiometer,IC Socket,Relay,Connector.Our parts cover such applications as commercial,industrial, and automotives areas.

We are looking forward to setting up business relationship with you and hope to provide you with the best service and solution. Let us make a better world for our industry!



Contact us

Tel: +86-755-8981 8866 Fax: +86-755-8427 6832

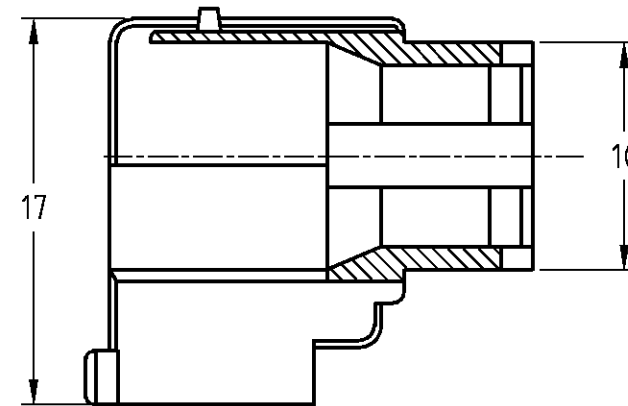
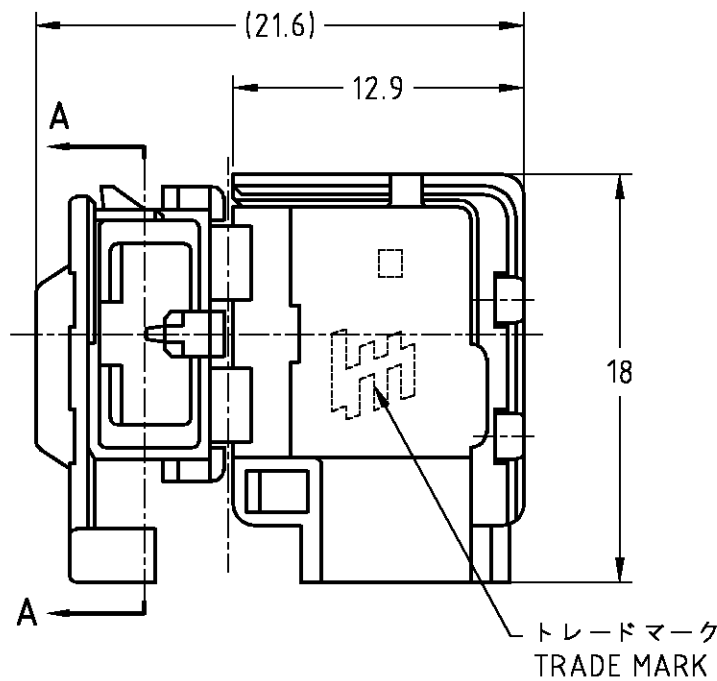
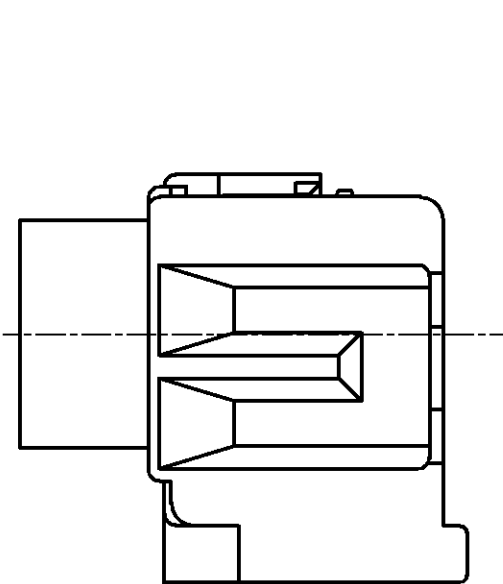
Email & Skype: info@chipsmall.com Web: www.chipsmall.com

Address: A1208, Overseas Decoration Building, #122 Zhenhua RD., Futian, Shenzhen, China

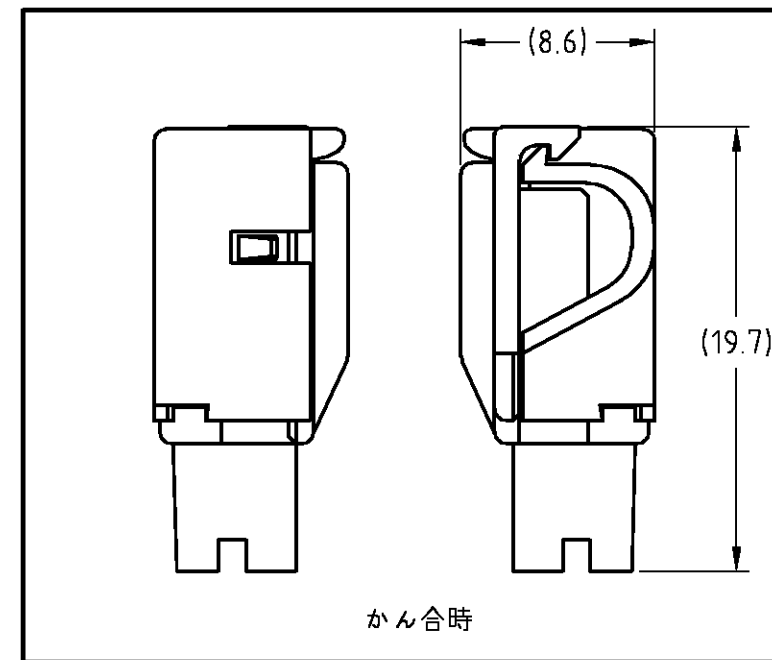
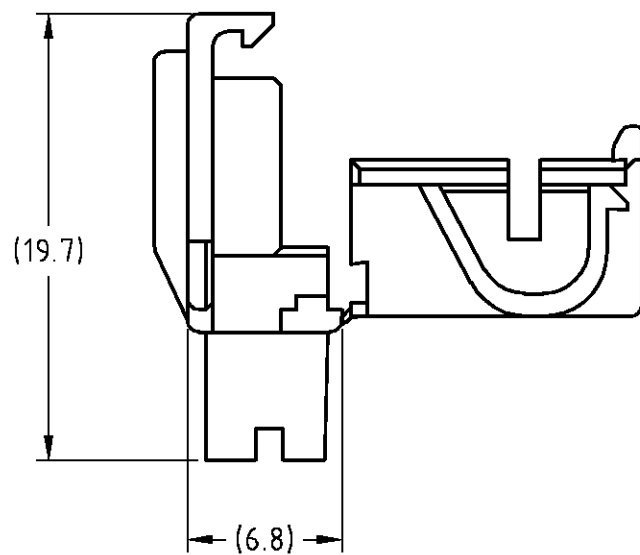


THIS DRAWING IS UNPUBLISHED. RELEASED FOR PUBLICATION
 © COPYRIGHT BY TYCO ELECTRONICS CORPORATION. ALL RIGHTS RESERVED.

LOC	DIST	REVISIONS					
J	—	P	LTR	DESCRIPTION	DATE	DWN	APVD
		B		REVISED ECR-08-004044	07MAR'08	J.S	S.M



断面A-A
SECT A-A



- 注記:
 1. 一般公差: ±0.3
 2. 適用端子型番: 175057-X

- NOTES
 1. GENERAL TOLERANCE: ±0.3
 2. APPLICABLE CONTACT PART NUMBER: 175057-X

BLACK	2013799-1
COLOR	P/N

THIS DRAWING IS A CONTROLLED DOCUMENT.		DWN J.SATO 29NOV2007	Tyco Electronics Corporation Kawasaki, Japan	
DIMENSIONS: 単位: 概 mm		CHK S.MANABE 29NOV2007	NAME 名称	
TOLERANCES UNLESS OTHERWISE SPECIFIED: 一般公差		APVD S.MANABE 29NOV2007	250 SERIES ONE TOUCH SLEEVE	
0 PLC ± 1 PLC ± 2 PLC ± 3 PLC ± 4 PLC ± ANGLES ±		PRODUCT SPEC 製品規格 108-78514	SIZE A3	
MATERIAL 材料 4/6NYLON (UL94V-0)		APPLICATION SPEC 取付適用規格	CAGE CODE 00779	DRAWING NO 番号 C-2013799
FINISH 仕上		WEIGHT	RESTRICTED TO	—
CUSTOMER DRAWING		SCALE 尺度 3:1	SHEET 1 OF 1	REV B